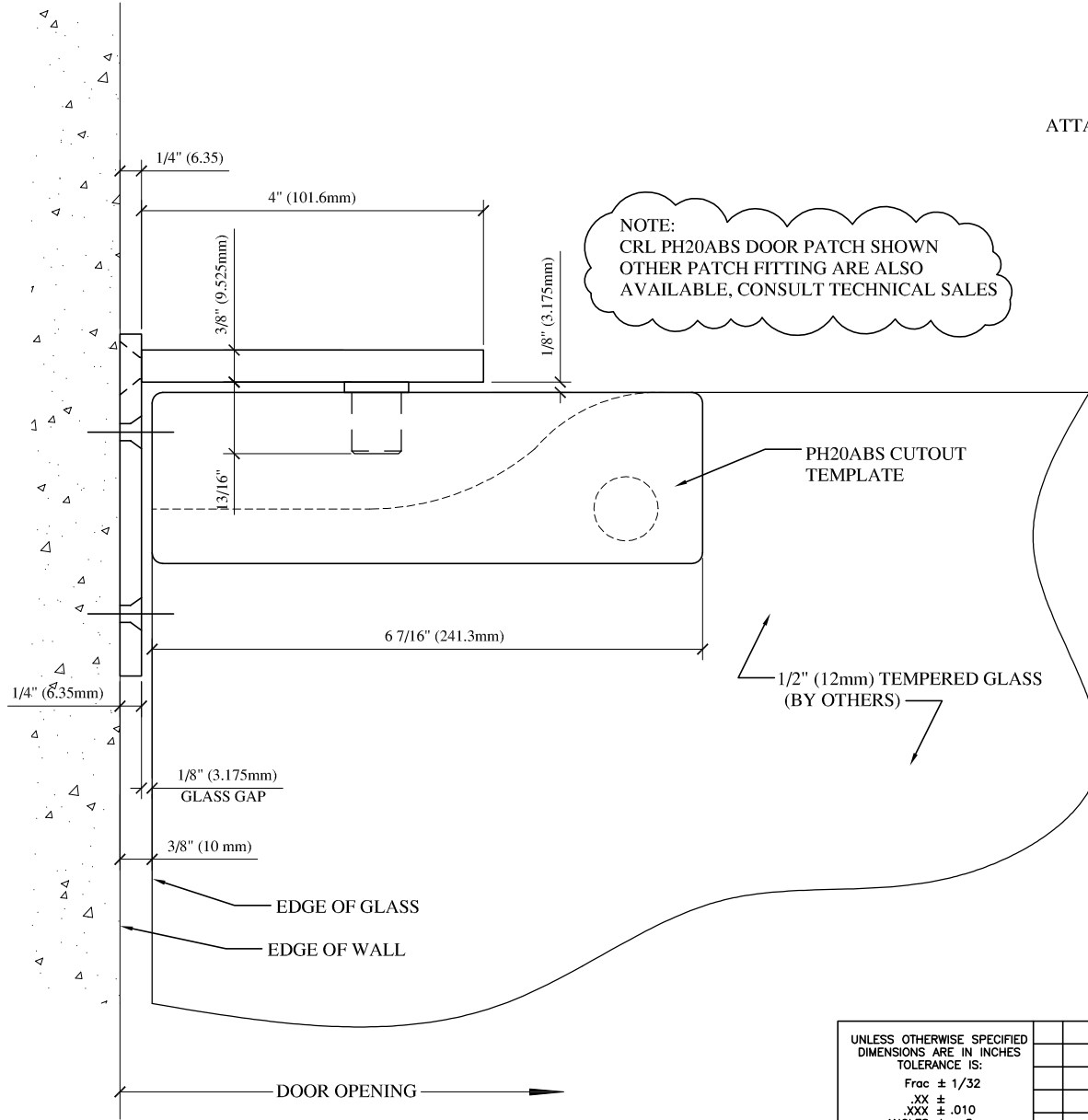
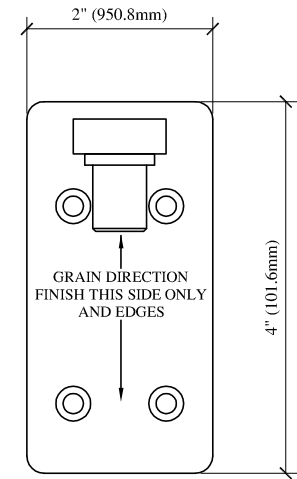
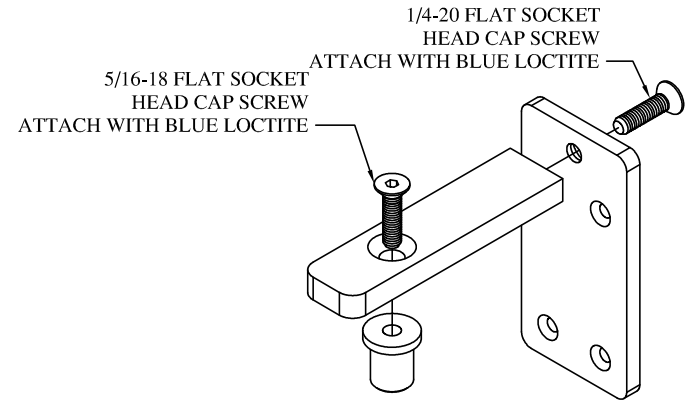


WDP32BS GLASS FABRICATION TEMPLATE



NOTE:
CRL PH20ABS DOOR PATCH SHOWN
OTHER PATCH FITTING ARE ALSO
AVAILABLE, CONSULT TECHNICAL SALES



UNLESS OTHERWISE SPECIFIED DIMENSIONS ARE IN INCHES TOLERANCE IS: Frac ± 1/32 .XX ± .XXX ± .010 ANGLES ± .5 RADIAL						C.R. Laurence Co., Inc 2100 E. 38TH STREET VERNON, CA 90058 PHONE: (323) 588-1281 FAX: (323) 232-2523	
REV.	DESCRIPTION	DATE	BY	DRAWN BY: <i>DAFFER</i>	SCALE:	DATE:	PART NUMBER
THIS DRAWING AND THE DESIGN SHOWN THEREIN IS THE PROPERTY OF C.R. LAURENCE CO., INC. AND USE OR COPIES THEREOF CANNOT BE MADE WITHOUT WRITTEN CONSENT.				PART: PART_TITLE			
				PRODUCT: PRODUCT			
				NOTE:		DRAWING NUMBER	
						DWGNO	