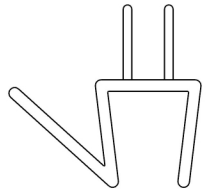
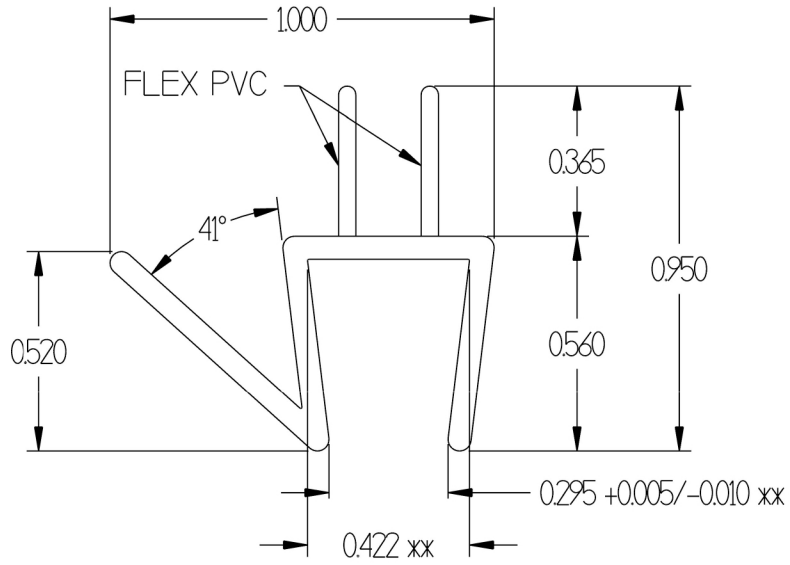


DATE	DESCRIPTION



ACTUAL SIZE

- ALL PROFILE DIMENSIONS +/- 0.015" UNLESS OTHERWISE SPECIFIED
- ALL WALL THICKNESSES +/- 0.005" UNLESS OTHERWISE SPECIFIED
- 0.060" WALL THICKNESS
- MATERIAL: PROVISTA/PVC FLEX
- CUT-OFF: SEE WORK ORDER
- "xx" INDICATES CRITICAL DIMENSION

SHOWER SEAL/CANPLEX

SCALE: 2:1 DATE: DEC 2/20