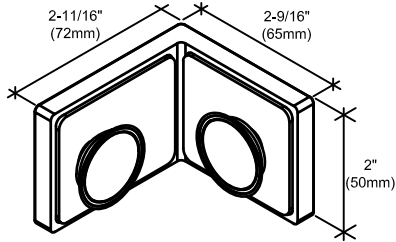
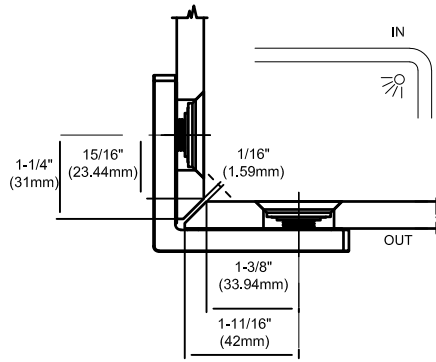


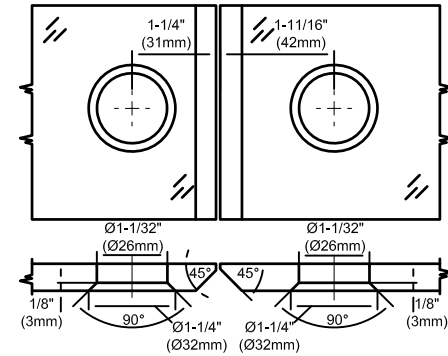
LU090 FOR 3/8" GLASS



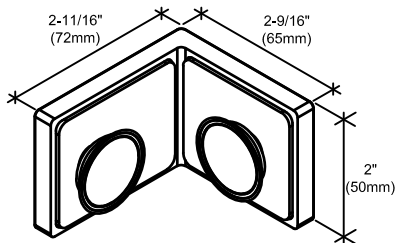
AXONOMETRIC VIEW



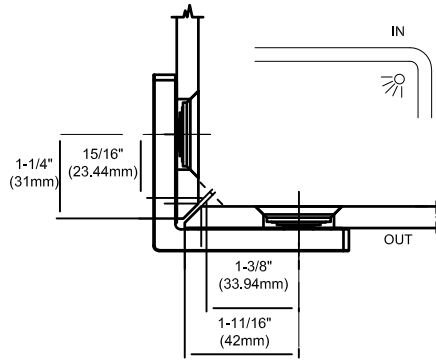
MITERED TOP VIEW



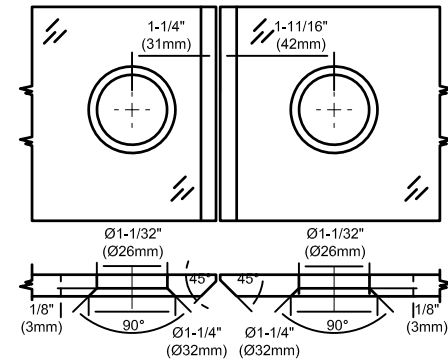
LU090 FOR 5/16" GLASS



AXONOMETRIC VIEW



MITERED TOP VIEW



OUTSIDE VIEW SHOWN
 DIMENSIONS MEASURED TO
 OUTSIDE EDGE OF SCREEN CHANNEL

UNLESS OTHERWISE SPECIFIED
 DIMENSIONS ARE IN INCHES

TOLERANCE IS:

Frac. ± 1/32"
 .XX ± .015
 .XXX ± .005

ANGLES ± 0.5
 RADIAL

CRL C.R. Laurence Co., Inc.

PHONE: (323) 588-1281
 FAX: (323) 232-2523

DRAWN BY: AMC SCALE: NTS DATE: 4/28/2023 PART NUMBER: LU090__

PART: 90 DEGREE GLASS CLAMP

PRODUCT: LUGANO

NOTE: DRAWING NUMBER LU090__

4

3

2

1

4

3

2

1