



**DRX MODULAR DOOR RAILS**  
FOR 3/8", 1/2", 5/8" & 3/4" GLASS

STANDARD X-WEDGE LOCK DOOR (HEIGHT) GUIDELINES	
3/8" (10mm) TEMPERED GLASS = 84" RECOMENDED MAX HEIGHT	
1/2" (12mm) TEMPERED GLASS = 108" RECOMENDED MAX HEIGHT	
5/8" (15mm) TEMPERED GLASS = 114" RECOMENDED MAX HEIGHT	
3/4" (19mm) TEMPERED GLASS = 120" RECOMENDED MAX HEIGHT	

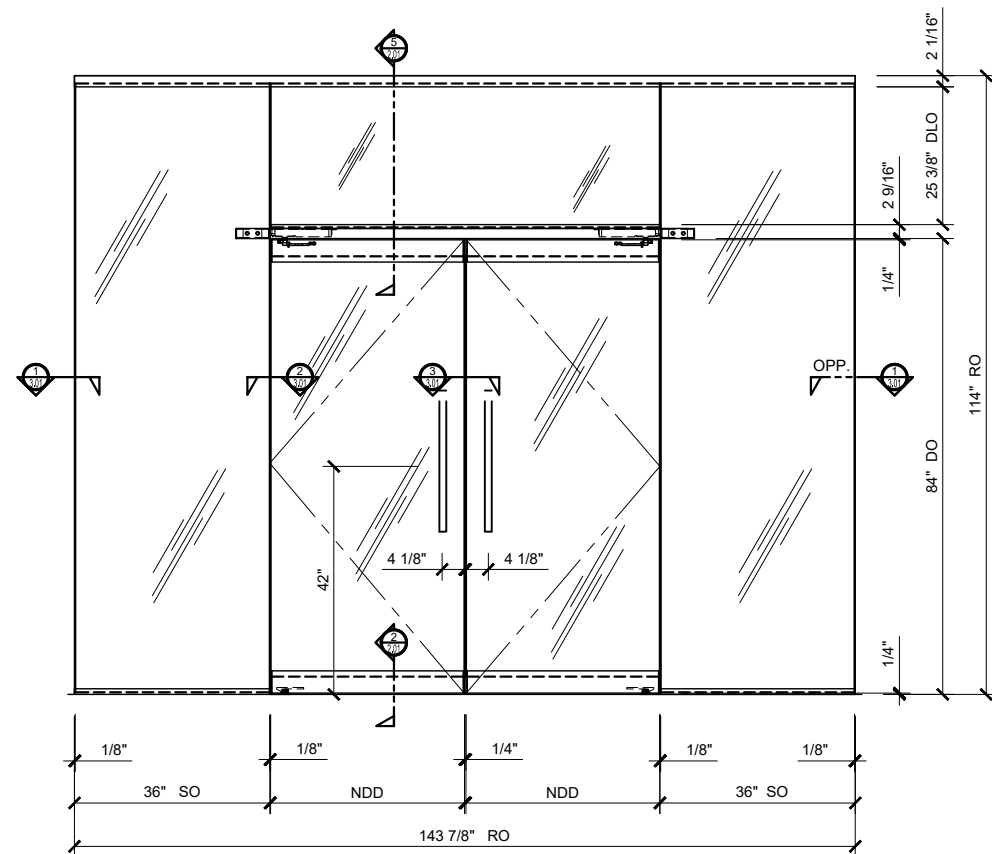
  

STANDARD X-WEDGE LOCK DOOR (WIDTH) GUIDELINES	
3/8" (10mm) TEMPERED GLASS = 48" RECOMENDED MAX WIDTH	
1/2" (12mm) TEMPERED GLASS = 48" RECOMENDED MAX WIDTH	
5/8" (15mm) TEMPERED GLASS = 42" RECOMENDED MAX WIDTH	
3/4" (19mm) TEMPERED GLASS = 42" RECOMENDED MAX WIDTH	

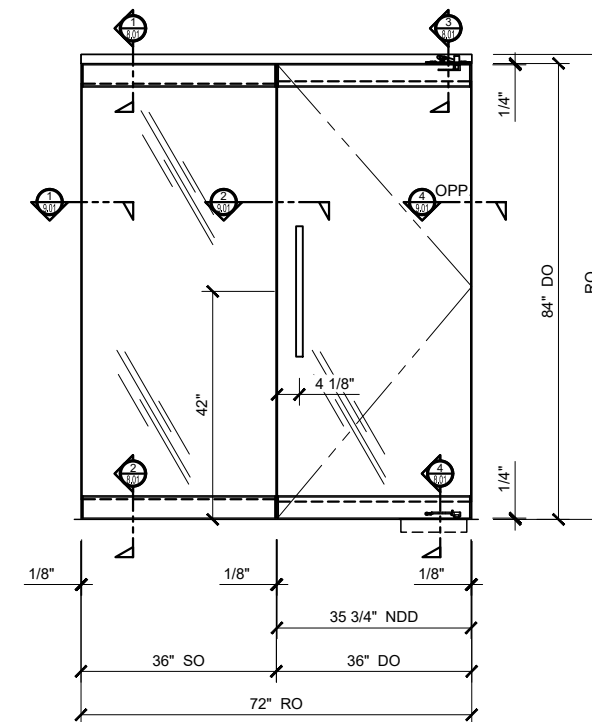
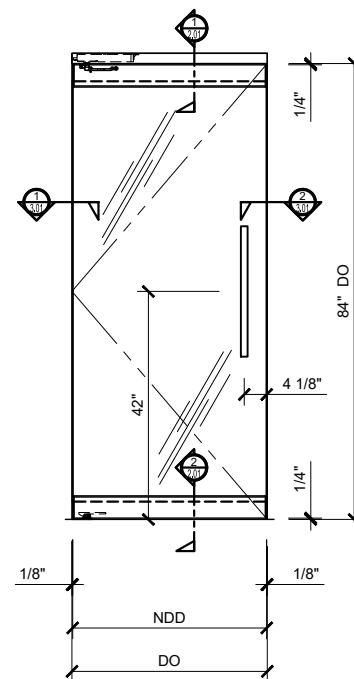
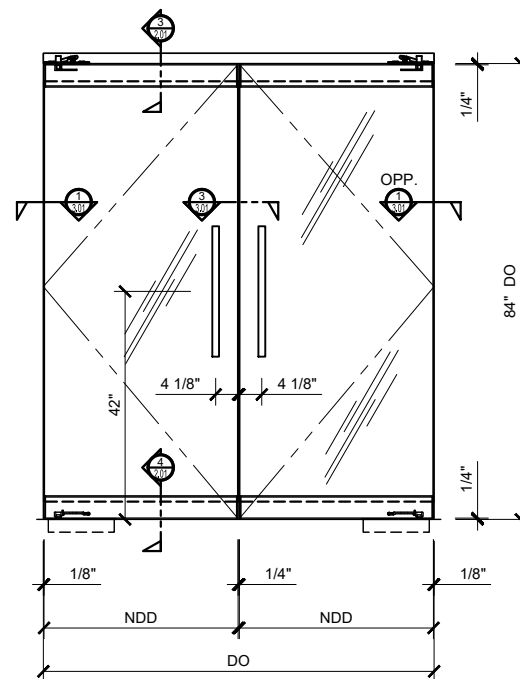
- \* EXCLUSIVE CRL X-WEDGE LOCK GLASS SECURING SYSTEM FOR RAPID INSTALLATION AND STEADFAST HOLDING POWER
- \* DOOR ASSEMBLY CAN BE READY FOR INSTALLATION IN LESS THAN 10 MINUTES
- \* UNIVERSAL TOP AND BOTTOM RAILS CUT INVENTORY AND MAKE ORDERING EASIER
- \* DRY GLAZING ALLOWS FOR FIELD REPLACEMENT

- \* ALLOWS JAMB ALIGNMENT WITHOUT REMOVING THE DOOR
- \* INTERNAL COMPONENTS DO NOT REQUIRE REMOVAL BEFORE INSTALLATION
- \* RIGID SINGLE COMPONENT HOUSING WILL NOT SHIFT OR FALL OUT OF ADJUSTMENT
- \* GLASS SECURING PADS ARE DESIGNED FOR LONGEVITY IN EXTREME ENVIRONMENTS

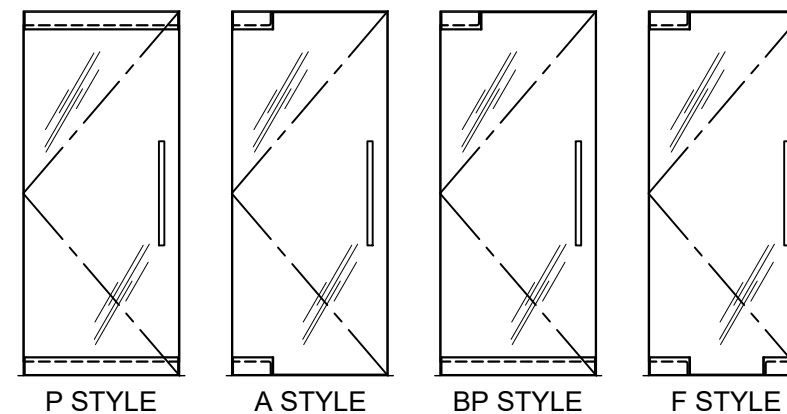
\*SIDELITE RAILS ARE AVAILABLE IN FIVE STYLES IN UP TO ELEVEN ARCHITECTURAL FINISHES



TYPICAL DRX MODULAR DOOR RAILS ELEVATIONS

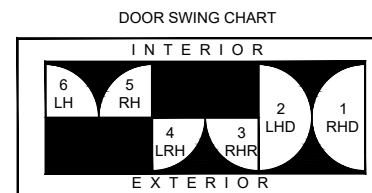


TYPICAL SIDELITE ELEVATIONS



TYPICAL DRX MODULAR DOOR STYLES

STANDARD ABBREVIATIONS	
RO	ROUGH OPENING
FD	FRAME DIMENSION
DLO	DAYLIGHT OPENING
DO	DOOR OPENING
NDD	NET DOOR DIMENSION
SMC	SURFACE MOUNTED CLOSER
OHCC	OVERHEAD CONCEALED CLOSER
SO	SIDELITE OPENING



**"INDUSTRY STANDARD" DOOR STYLES AND SWINGING DOOR PATTERNS**

THERE ARE SIX BASIC 'ALL-GLASS' DOOR STYLES TYPICALLY REFERRED TO THROUGHOUT THE INDUSTRY. BY IDENTIFYING YOUR BASIC DOOR STYLE AND SWING, IT WILL HELP MAKE CLEAR WHAT YOUR INTENTIONS ARE FOR THE PARTICULAR PROJECT. FOR MORE INFORMATION, PLEASE CONTACT OUR TECHNICAL SALES DEPARTMENT AT (800) 421-6144 IN THE U.S., (877) 421-6144 IN CANADA, OR (323) 588-1281 INTERNATIONAL. ASK FOR EXT. 7700. YOU CAN SEND E-MAIL THROUGH THE [crlaurence.com](http://crlaurence.com) HOME PAGE. CLICK ON CONTACT US, AND THEN CLICK ON TECHNICAL SALES FOR COMMERCIAL PRODUCTS.

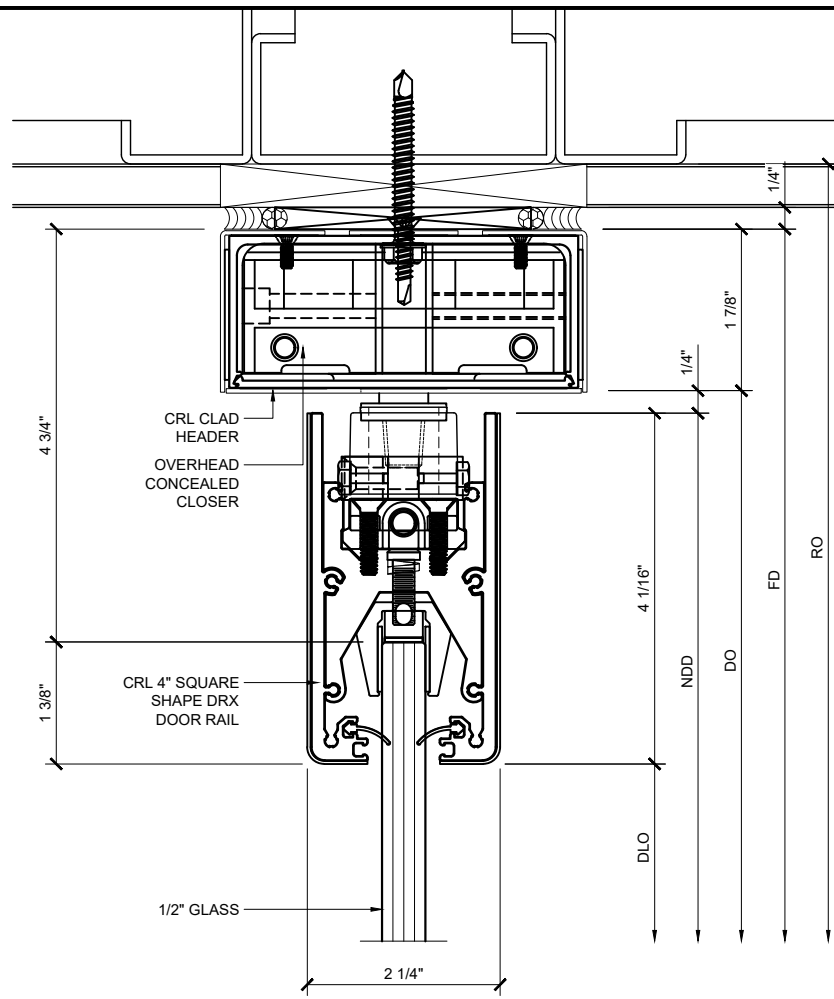
Revisions By:

Description:  
CRL DRX MODULAR DOOR RAILS

Drawn By: CRL  
Date: 10/14/22  
Scale: AS NOTED  
File Name:  
DRX MODULAR DOOR RAILS  
Sheet

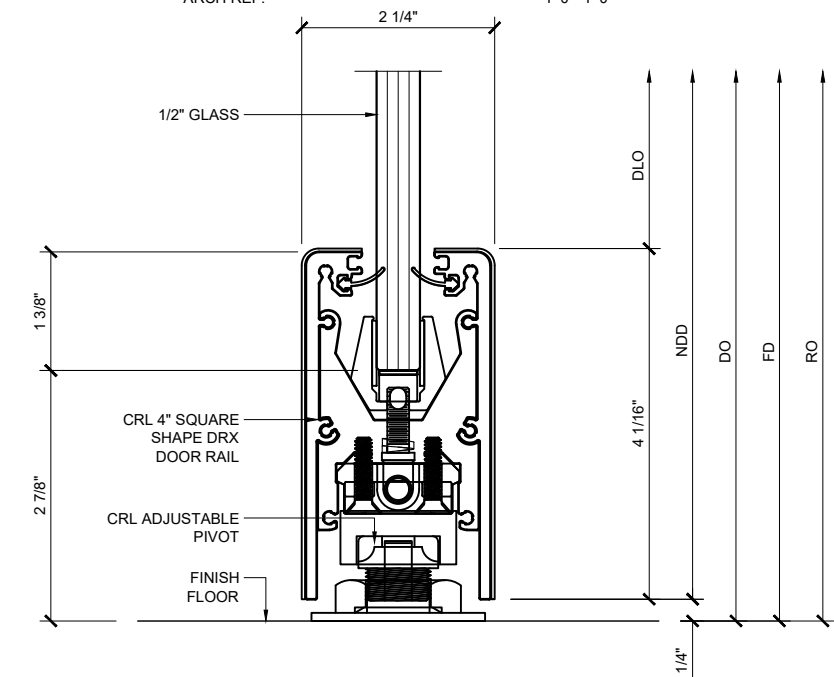


C.R. LAURENCE CO. ARCHITECTURAL PRODUCTS  
2503 E. Vernon Avenue, Los Angeles, CA 90058-1897  
PH (800)-421-6144 FX: 800-587-7501 www.crlaurence.com



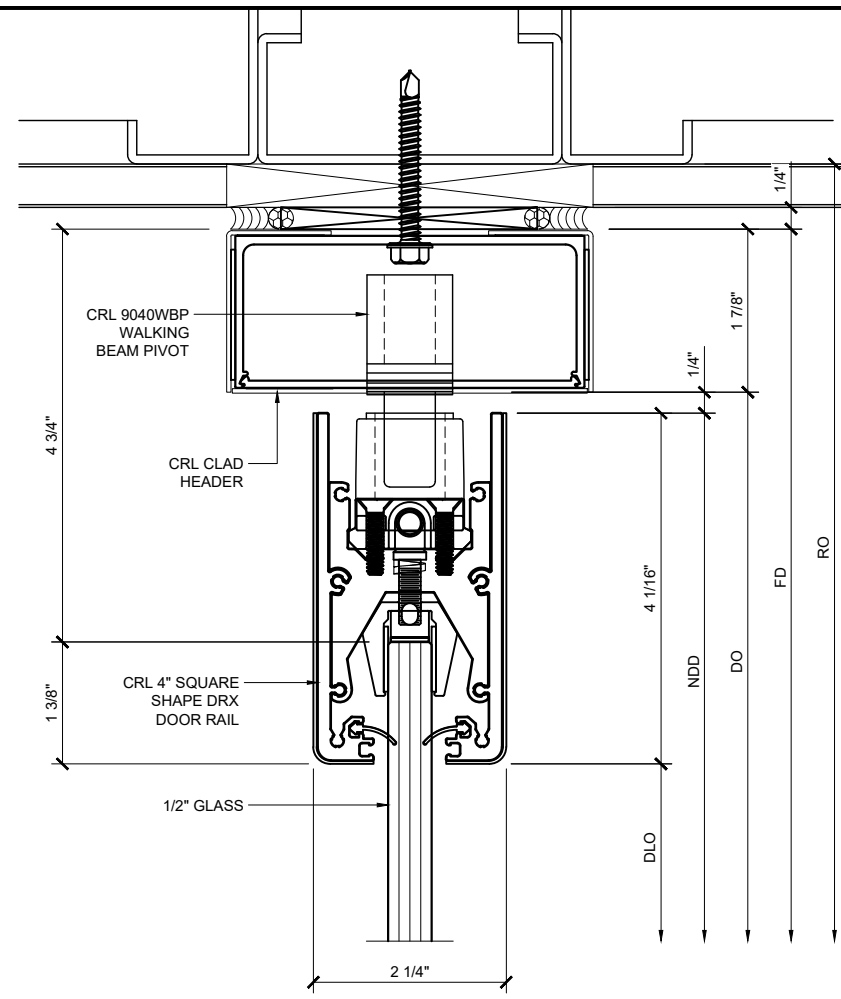
**1 SECTION DETAIL @ HEAD**

ARCH REF: 1'-0"=1'-0"



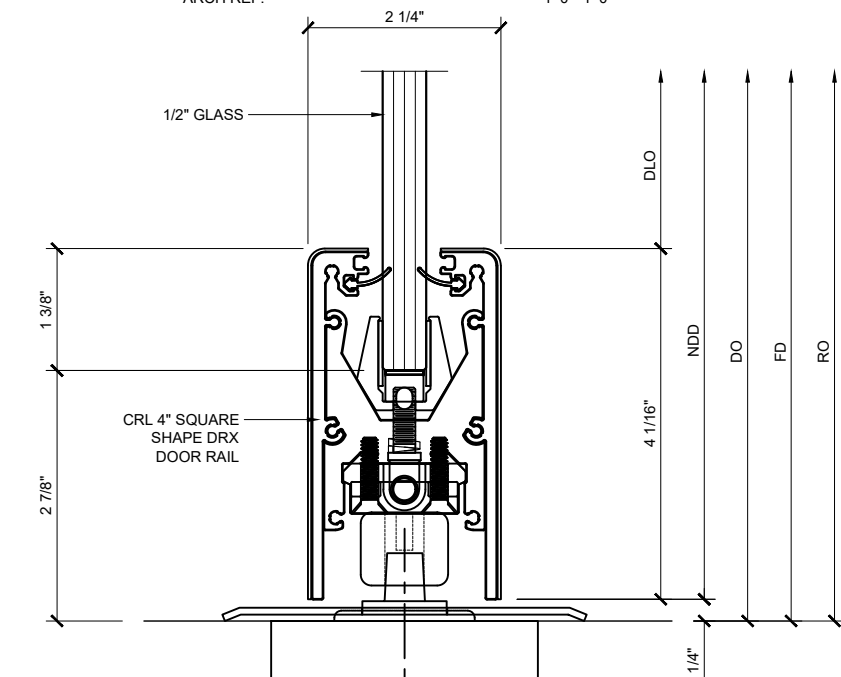
**2 SECTION DETAIL @ SILL**

ARCH REF: 1'-0"=1'-0"



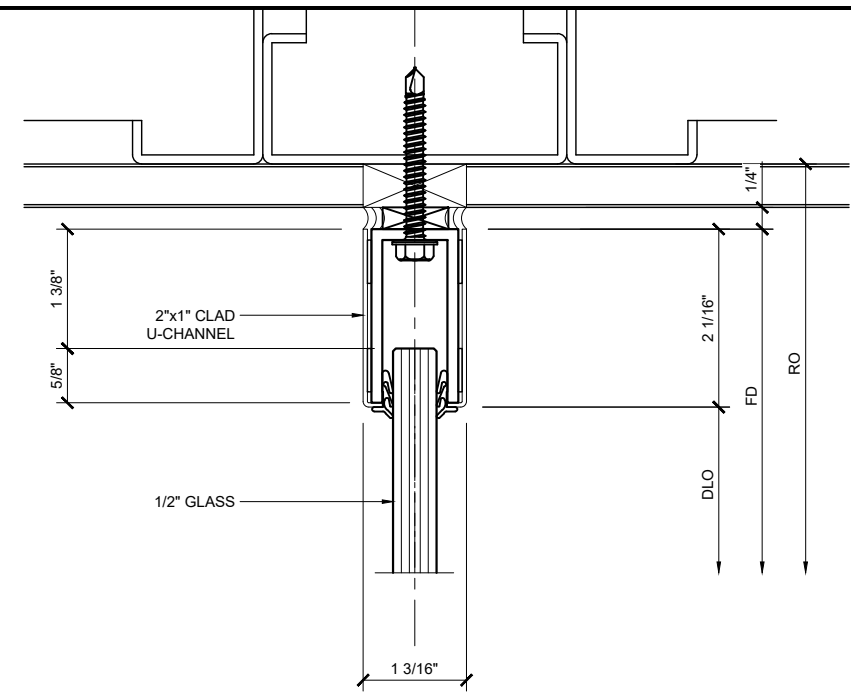
**3 SECTION DETAIL @ HEAD**

ARCH REF: 1'-0"=1'-0"



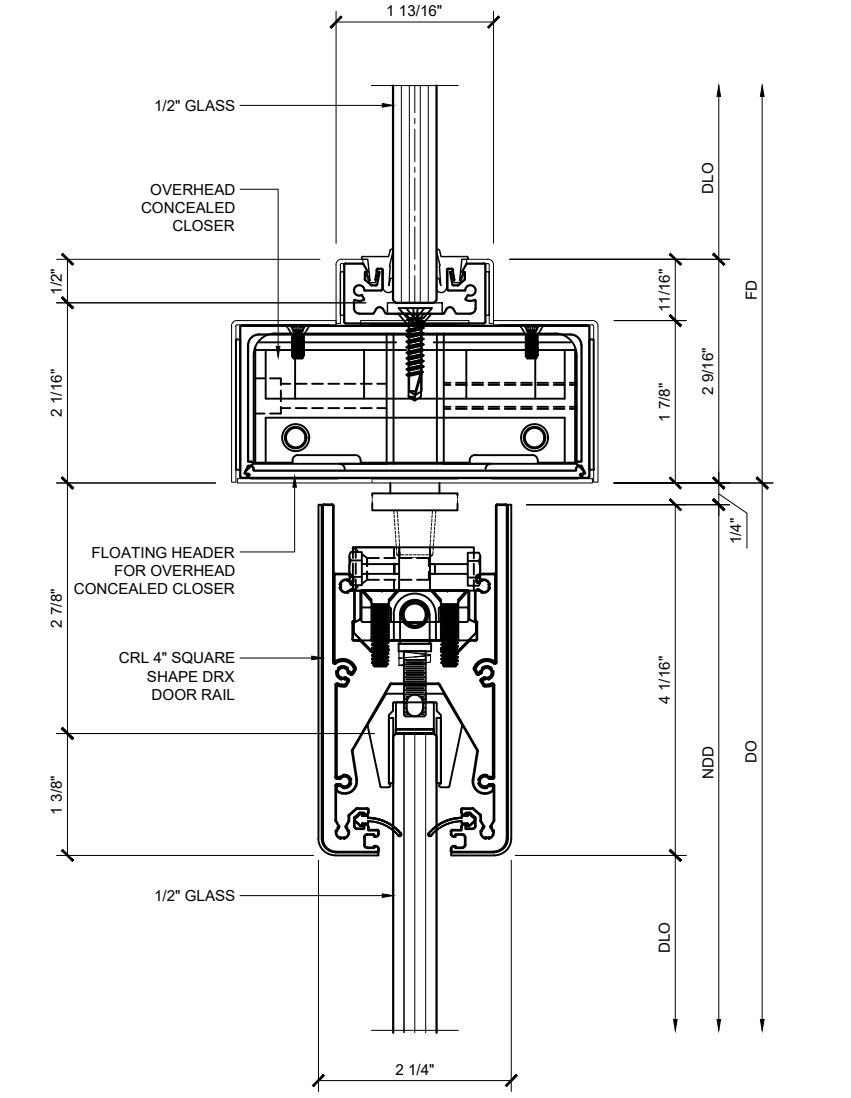
**4 SECTION DETAIL @ SILL**

ARCH REF: 1'-0"=1'-0"



**5 SECTION DETAIL @ TRANSOM**

ARCH REF: 1'-0"=1'-0"



Revisions By:

**CRL**

C.R. LAURENCE CO. ARCHITECTURAL PRODUCTS  
 2503 E. Verron Avenue, Los Angeles, CA 90058-1897  
 PH (800)-421-6144 FX: 800-587-7501 www.crlaurence.com

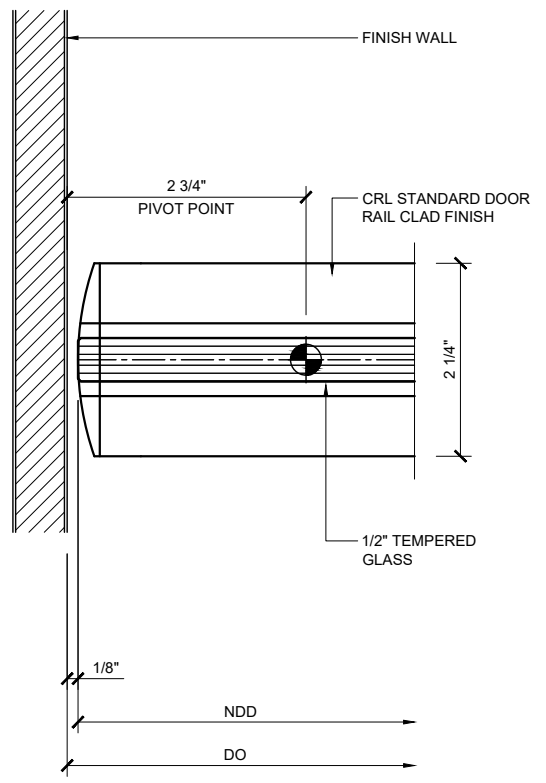
Description:  
 CRL DRX MODULAR  
 DOOR RAILS

Drawn By: CRL  
 Date: 10/14/22  
 Scale: AS NOTED  
 File Name:  
 DRX MODULAR DOOR RAILS

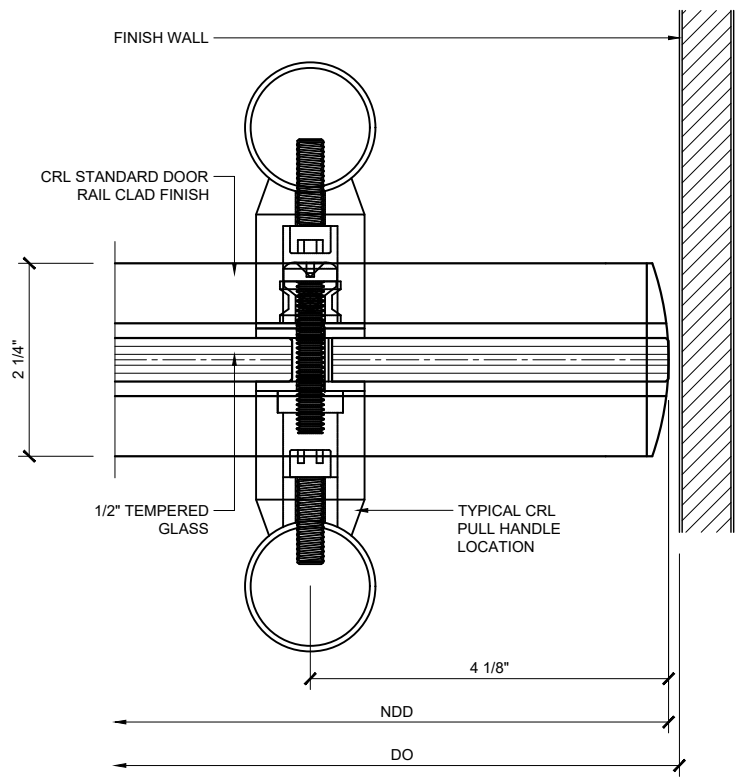
Sheet

2.01

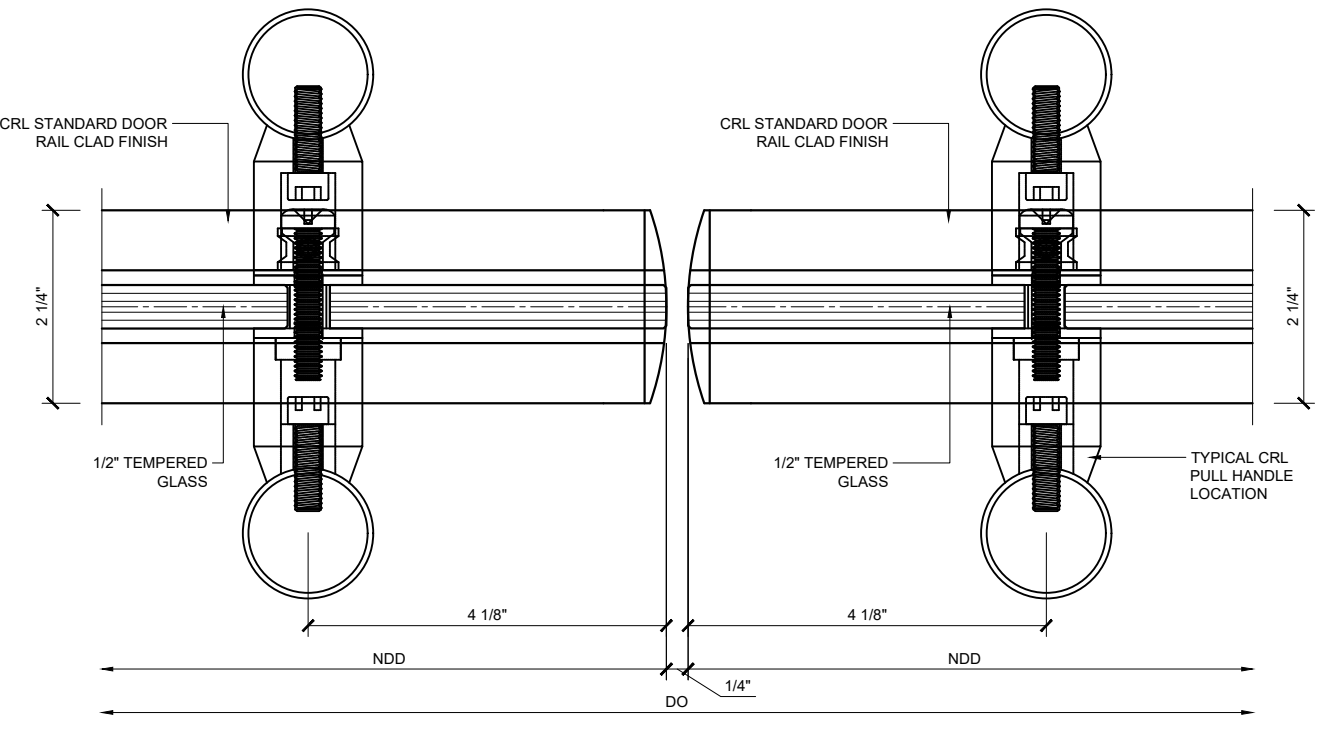
Revisions By:



① PLAN VIEW @ JAMB  
 ARCH REF: 1'-0"=1'-0"



② PLAN VIEW @ JAMB  
 ARCH REF: 1'-0"=1'-0"



③ PLAN VIEW @ MEETING SECTION  
 ARCH REF: 1'-0"=1'-0"

**CRL.**

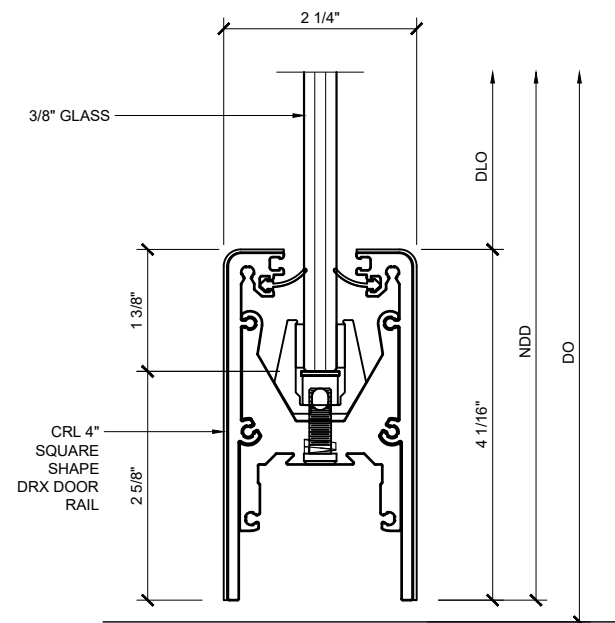
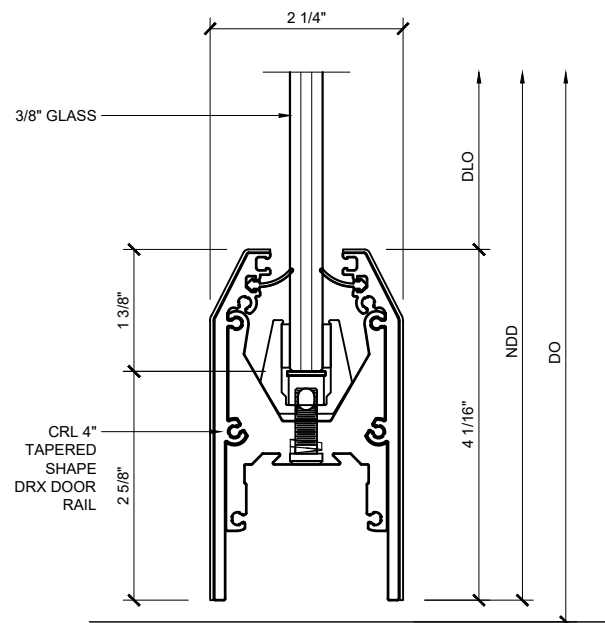
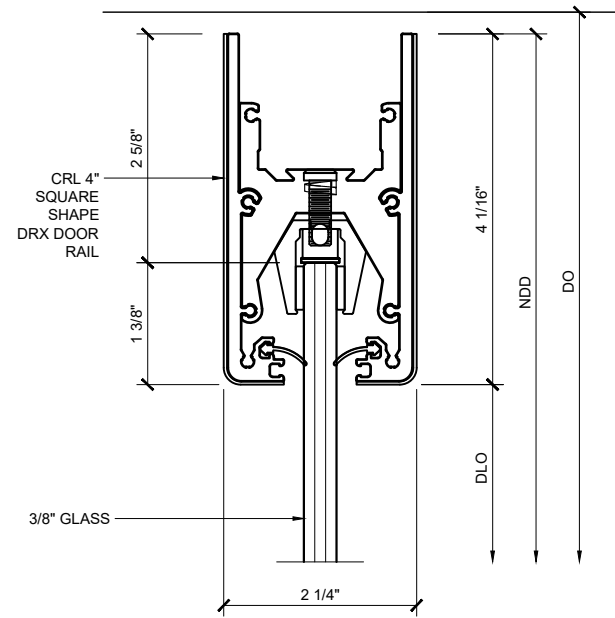
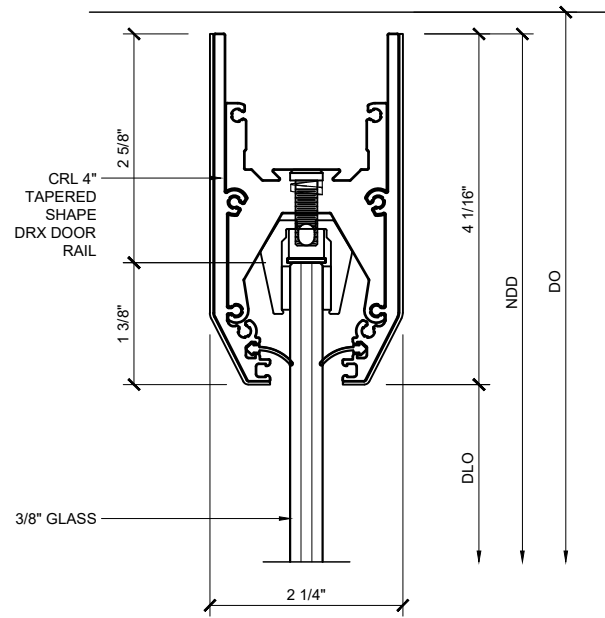
C.R. LAURENCE CO. ARCHITECTURAL PRODUCTS  
 2503 E. Vernon Avenue, Los Angeles, CA 90058-1897  
 PH (800)-421-6144 FX: 800-587-7501 www.crlaurence.com

Description:  
 CRL DRX MODULAR  
 DOOR RAILS

Drawn By: CRL  
 Date: 10/14/22  
 Scale: AS NOTED  
 File Name:  
 DRX MODULAR DOOR RAILS

Sheet

3.01



CRL DRX4T 4" TALL TAPERED DOOR RAIL

CRL DRX4S 4" TALL SQUARE DOOR RAIL

**STANDARD X-WEDGE LOCK DOOR RAILS FOR 3/8" GLASS**

Revisions By:

**CRL.**

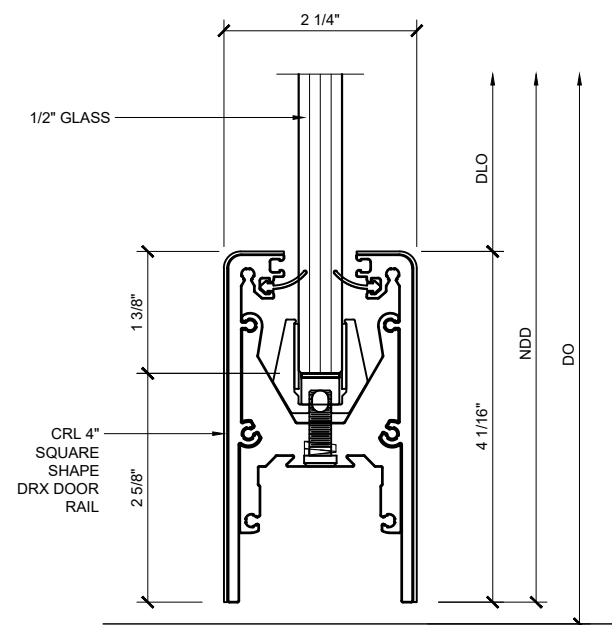
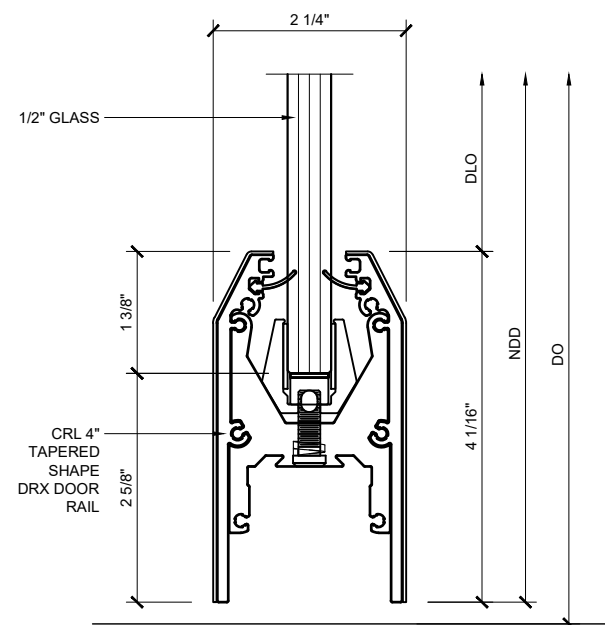
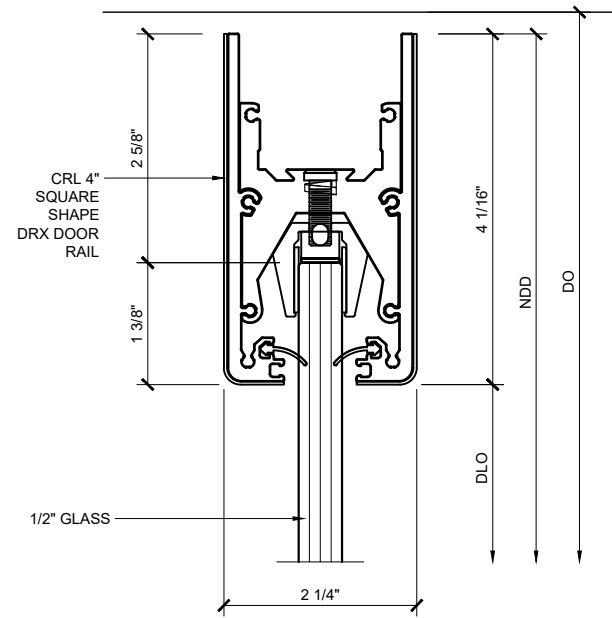
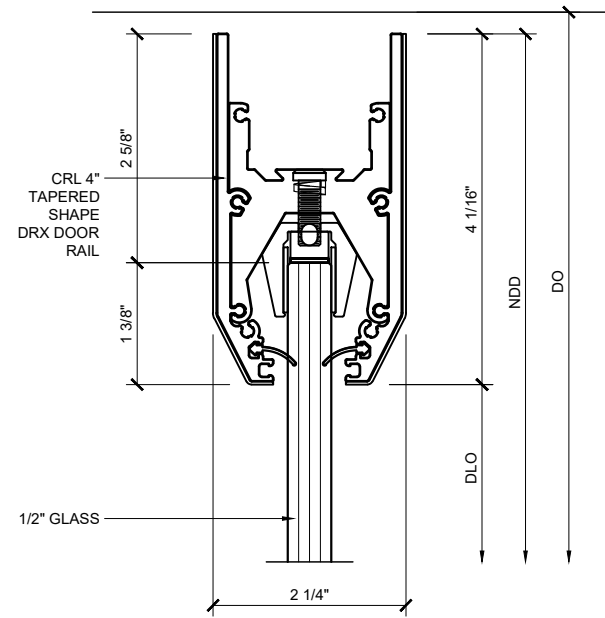
C.R. LAURENCE CO. ARCHITECTURAL PRODUCTS  
 2503 E. Vernon Avenue, Los Angeles, CA 90058-1897  
 PH (800)-421-6144 FX: 800-587-7501 www.crlaurence.com

Description:  
 CRL DRX MODULAR  
 DOOR RAILS

Drawn By: CRL  
 Date: 10/14/22  
 Scale: AS NOTED  
 File Name:  
 DRX MODULAR DOOR RAILS

Sheet

4.01



CRL DRX4T 4" TALL TAPERED DOOR RAIL

CRL DRX4S 4" TALL SQUARE DOOR RAIL

**STANDARD X-WEDGE LOCK DOOR RAILS FOR 1/2" GLASS**

Revisions By:

**CRL.**

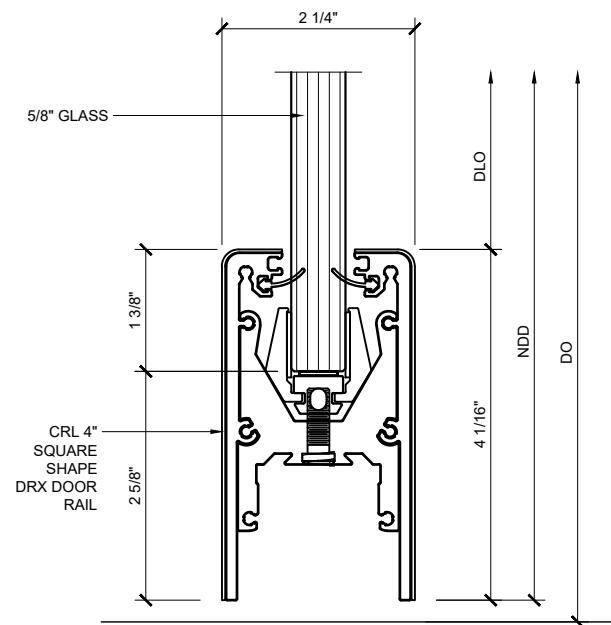
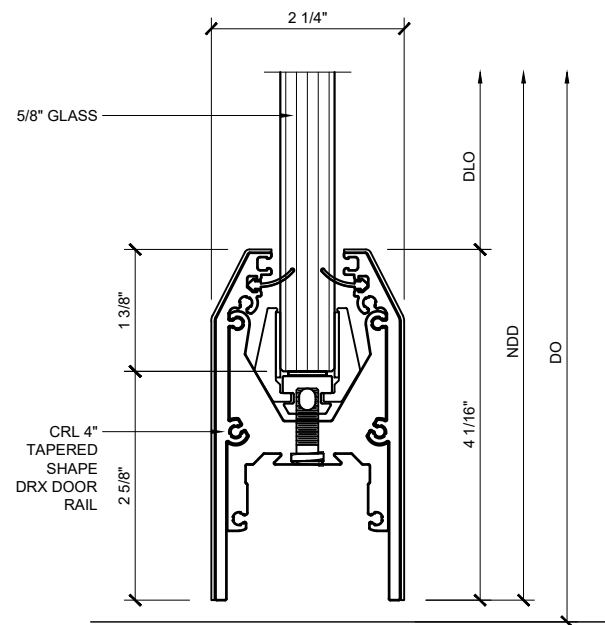
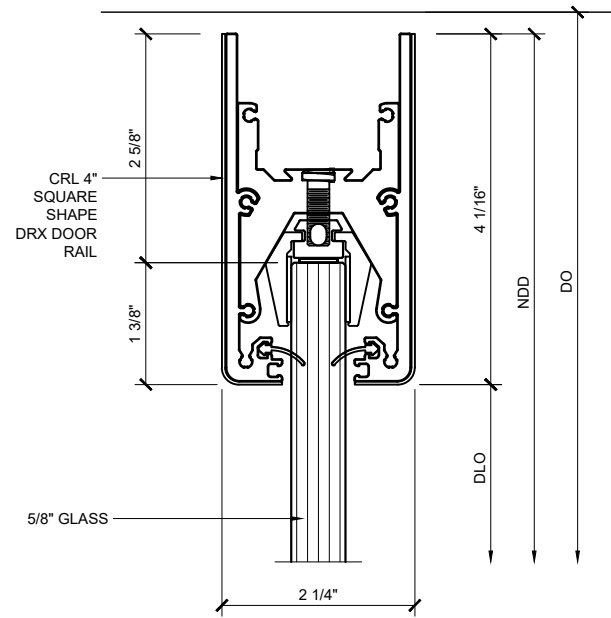
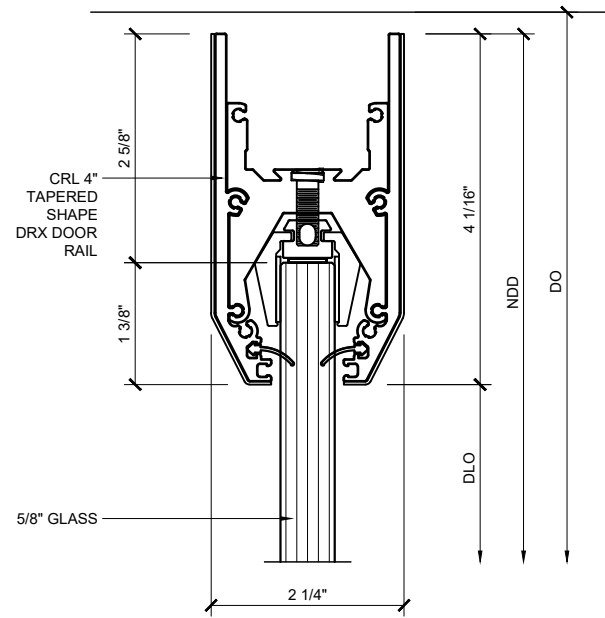
C.R. LAURENCE CO. ARCHITECTURAL PRODUCTS  
 2503 E. Vernon Avenue, Los Angeles, CA 90058-1897  
 PH (800)-421-6144 FX: 800-587-7501 www.crlaurence.com

Description:  
 CRL DRX MODULAR  
 DOOR RAILS

Drawn By: CRL  
 Date: 10/14/22  
 Scale: AS NOTED  
 File Name:  
 DRX MODULAR DOOR RAILS

Sheet

5.01



CRL DRX4T 4" TALL TAPERED DOOR RAIL

CRL DRX4S 4" TALL SQUARE DOOR RAIL

**STANDARD X-WEDGE LOCK DOOR RAILS FOR 5/8" GLASS**

Revisions By:

**CRL.**

C.R. LAURENCE CO. ARCHITECTURAL PRODUCTS  
 2503 E. Vernon Avenue, Los Angeles, CA 90058-1897  
 PH (800)-421-6144 FX: 800-587-7501 www.crlaurence.com

Description:  
 CRL DRX MODULAR  
 DOOR RAILS

Drawn By: CRL

Date: 10/14/22

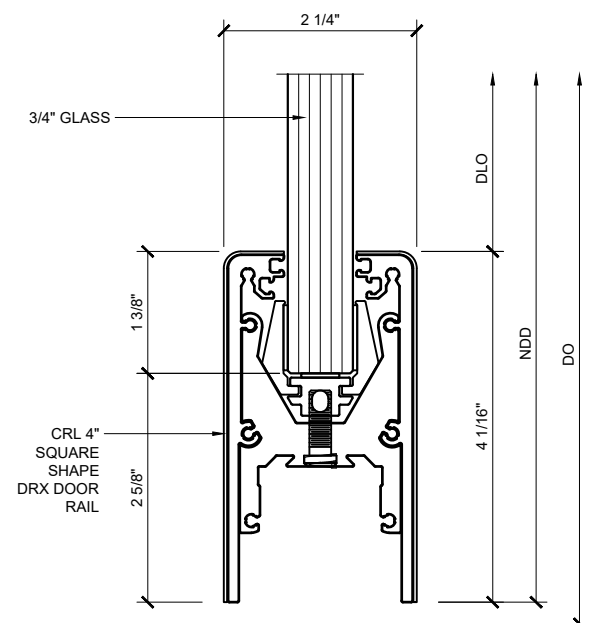
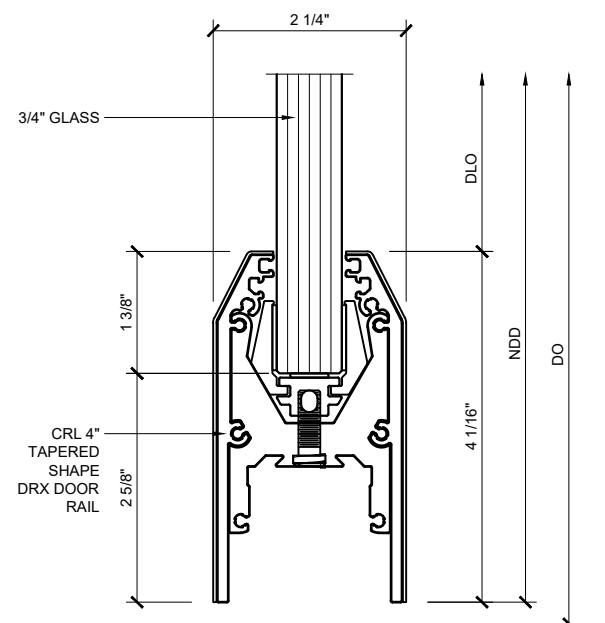
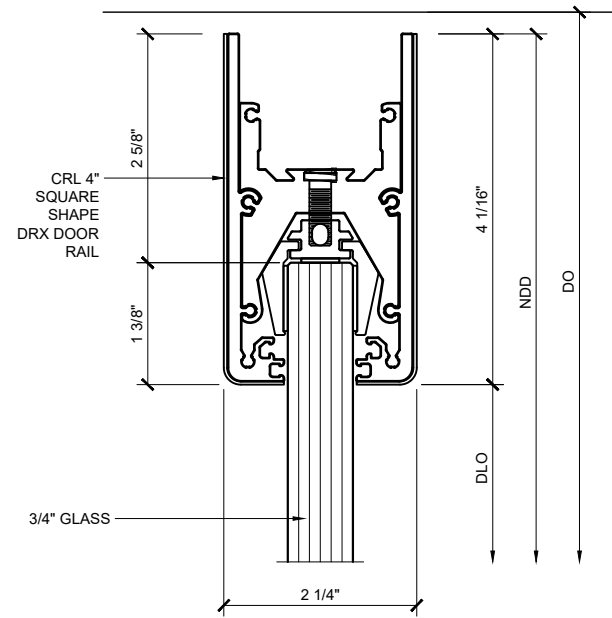
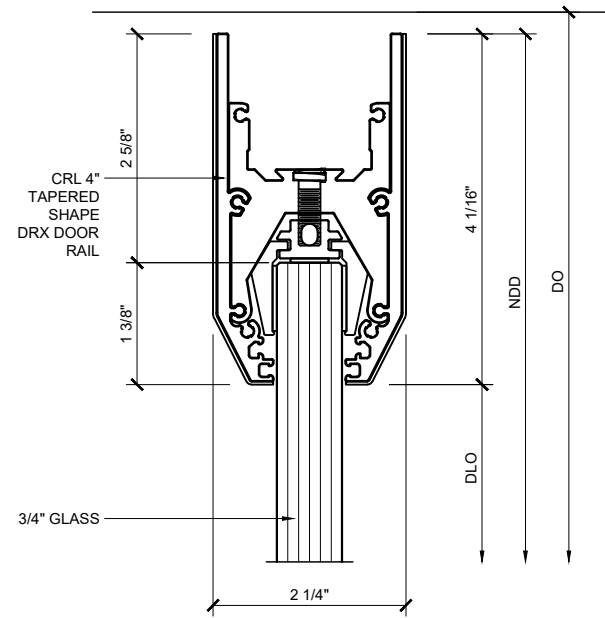
Scale: AS NOTED

File Name:

DRX MODULAR DOOR RAILS

Sheet

6.01



CRL DRX4T 4" TALL TAPERED DOOR RAIL

CRL DRX4S 4" TALL SQUARE DOOR RAIL

**STANDARD X-WEDGE LOCK DOOR RAILS FOR 3/4" GLASS**

Revisions By:

**CRL.**

C.R. LAURENCE CO. ARCHITECTURAL PRODUCTS  
 2503 E. Vernon Avenue, Los Angeles, CA 90058-1897  
 PH (800)-421-6144 FX: 800-587-7501 www.crlaurence.com

Description:  
 CRL DRX MODULAR  
 DOOR RAILS

Drawn By: CRL  
 Date: 10/14/22  
 Scale: AS NOTED  
 File Name:  
 DRX MODULAR DOOR RAILS

Sheet

7.01

Revisions By:

# CRL

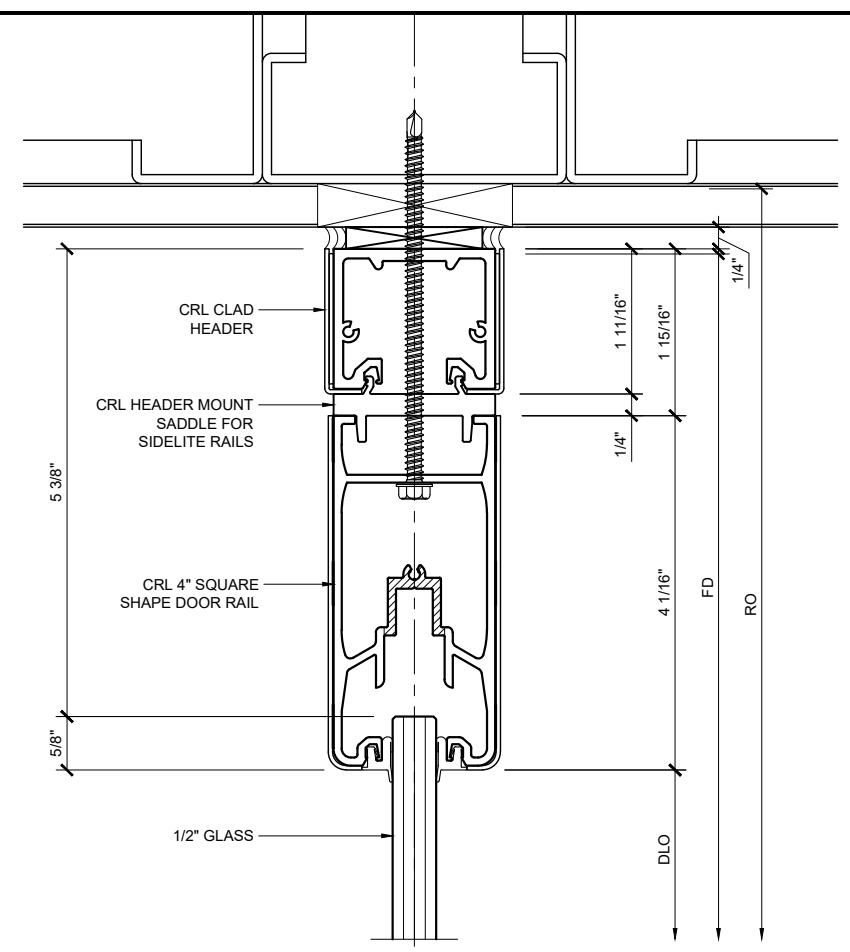
C.R. LAURENCE CO. ARCHITECTURAL PRODUCTS  
2503 E. Vernon Avenue, Los Angeles, CA 90058-1897  
PH (800)-421-6144 FX: 800-587-7501 www.crlaurence.com

Description:  
CRL DRX MODULAR  
DOOR RAILS

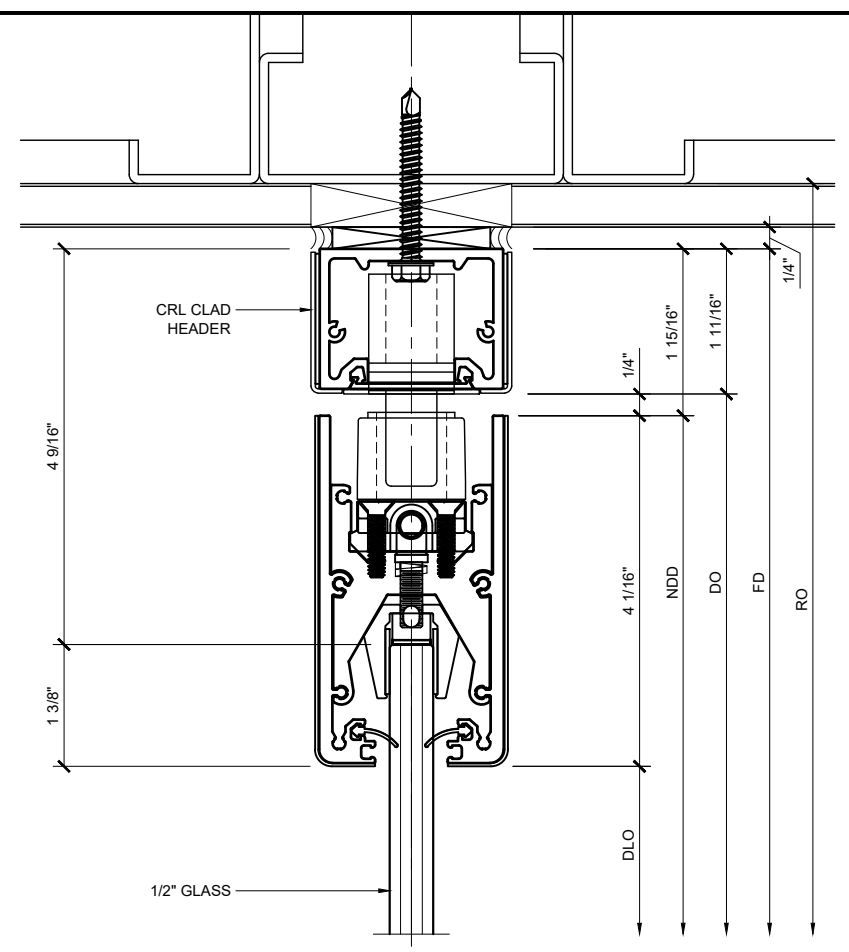
Drawn By: CRL  
Date: 10/14/22  
Scale: AS NOTED  
File Name:  
DRX MODULAR DOOR RAILS

Sheet

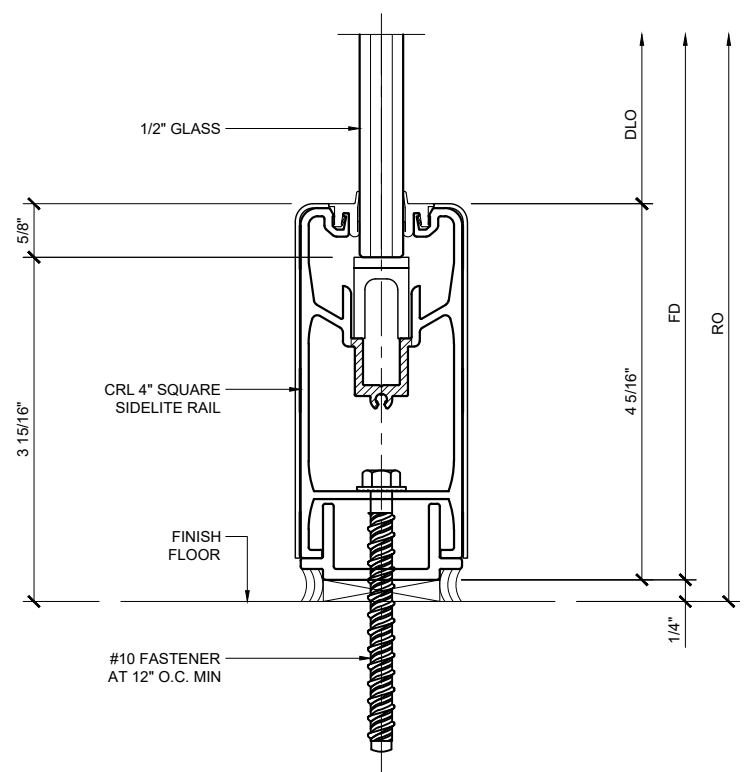
## 8.01



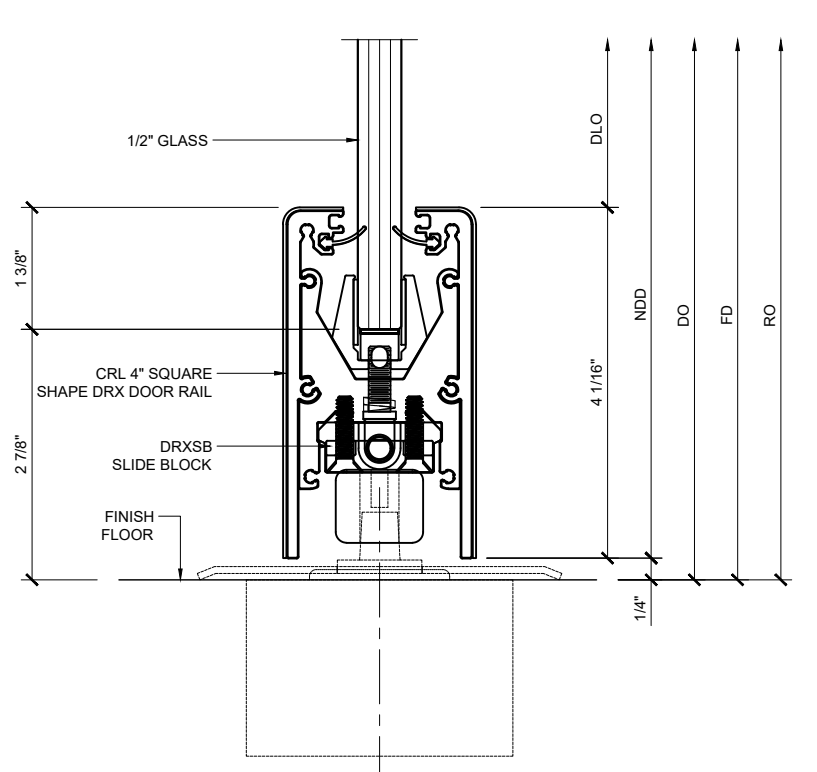
① SECTION DETAIL @ HEAD (MATCHES DOOR)  
ARCH REF: 1'-0"=1'-0"



③ SECTION DETAIL @ DOOR HEAD  
ARCH REF: 1'-0"=1'-0"

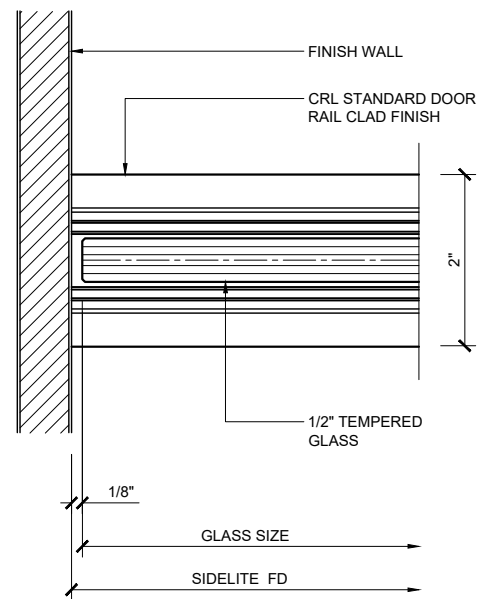


② SECTION DETAIL @ SILL (MATCHES DOOR)  
ARCH REF: 1'-0"=1'-0"

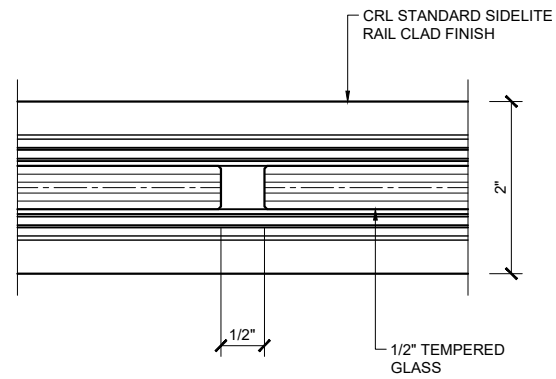


④ SECTION DETAIL @ DOOR SILL  
ARCH REF: 1'-0"=1'-0"

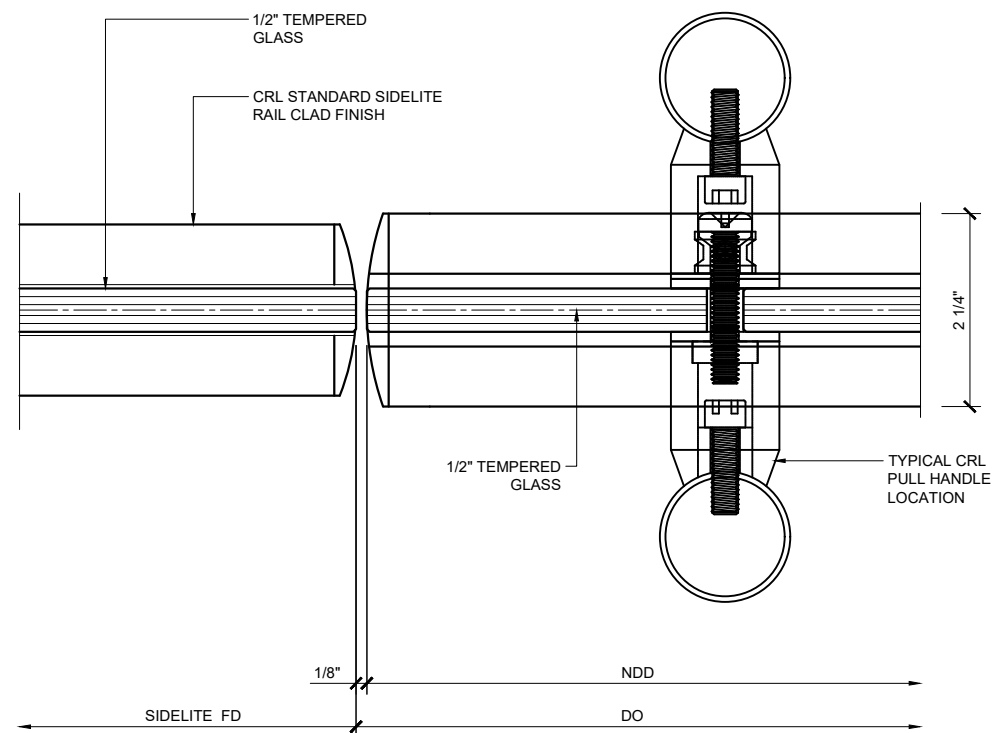




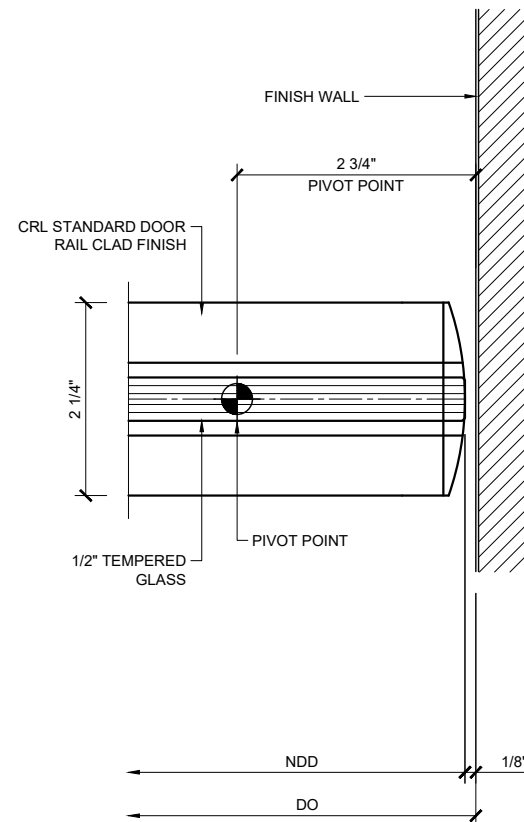
**① PLAN VIEW @ SIDELITE JAMB**  
 ARCH REF: 1'-0"=1'-0"



**③ PLAN VIEW @ SIDELITE JOINT**  
 ARCH REF: 1'-0"=1'-0"



**② PLAN VIEW @ SIDELITE /DOOR JAMB**  
 ARCH REF: 1'-0"=1'-0"



**④ PLAN VIEW @ DOOR JAMB**  
 ARCH REF: 1'-0"=1'-0"

Revisions By:

**CRL.**

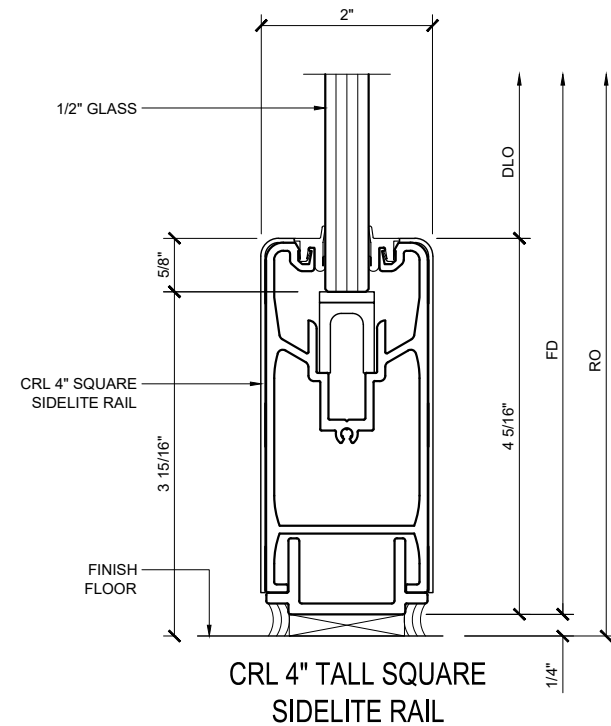
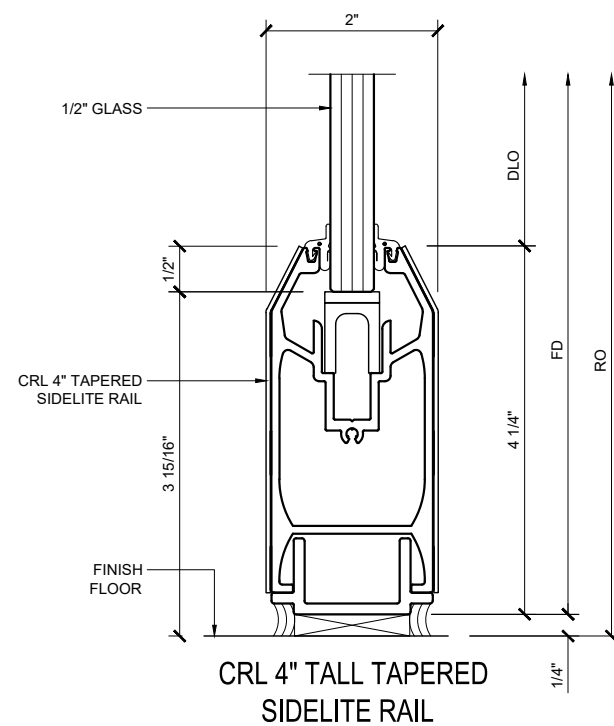
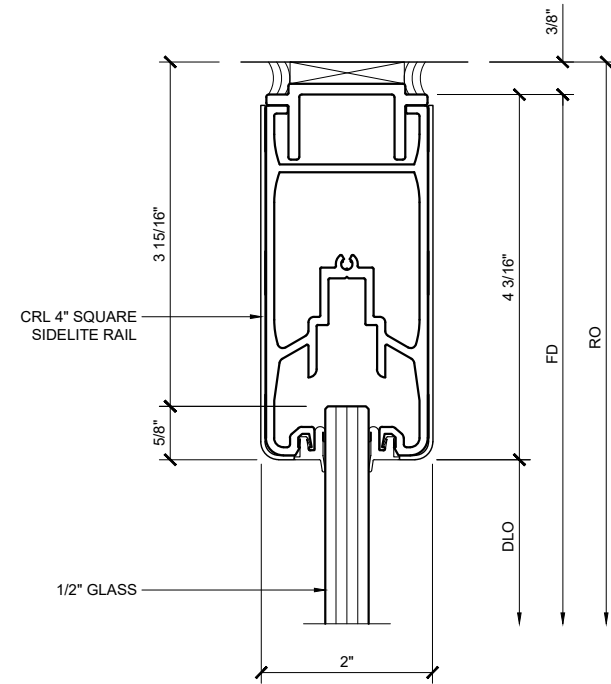
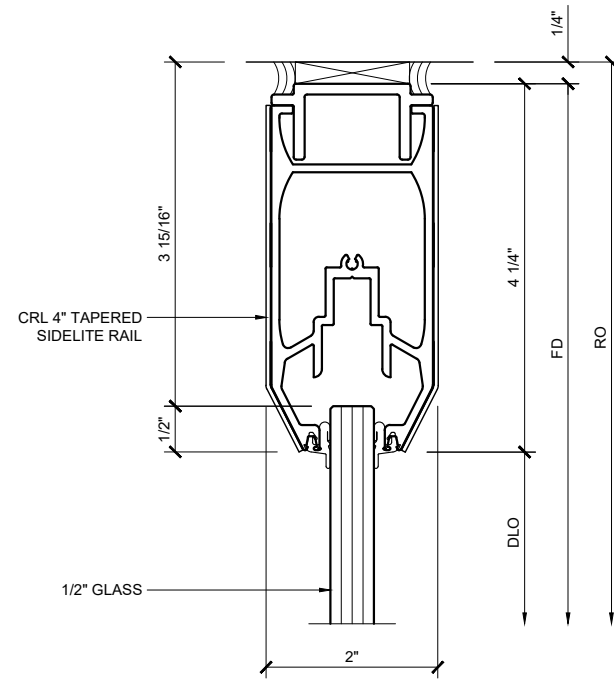
C.R. LAURENCE CO. ARCHITECTURAL PRODUCTS  
 2503 E. Vernon Avenue, Los Angeles, CA 90058-1897  
 PH (800)-421-6144 FX: 800-587-7501 www.crlaurence.com

Description:  
 CRL DRX MODULAR  
 DOOR RAILS

Drawn By: CRL  
 Date: 10/14/22  
 Scale: AS NOTED  
 File Name:  
 DRX MODULAR DOOR RAILS

Sheet

9.01



**STANDARD SIDELITE RAILS FOR 1/2" GLASS**

Revisions By:

**CRL.**

C.R. LAURENCE CO. ARCHITECTURAL PRODUCTS  
 2503 E. Vernon Avenue, Los Angeles, CA 90058-1897  
 PH (800)-421-6144 FX: 800-587-7501 www.crlaurence.com

Description:  
 CRL DRX MODULAR  
 DOOR RAILS

Drawn By: CRL  
 Date: 10/14/22  
 Scale: AS NOTED  
 File Name:  
 DRX MODULAR DOOR RAILS  
 Sheet

10.01