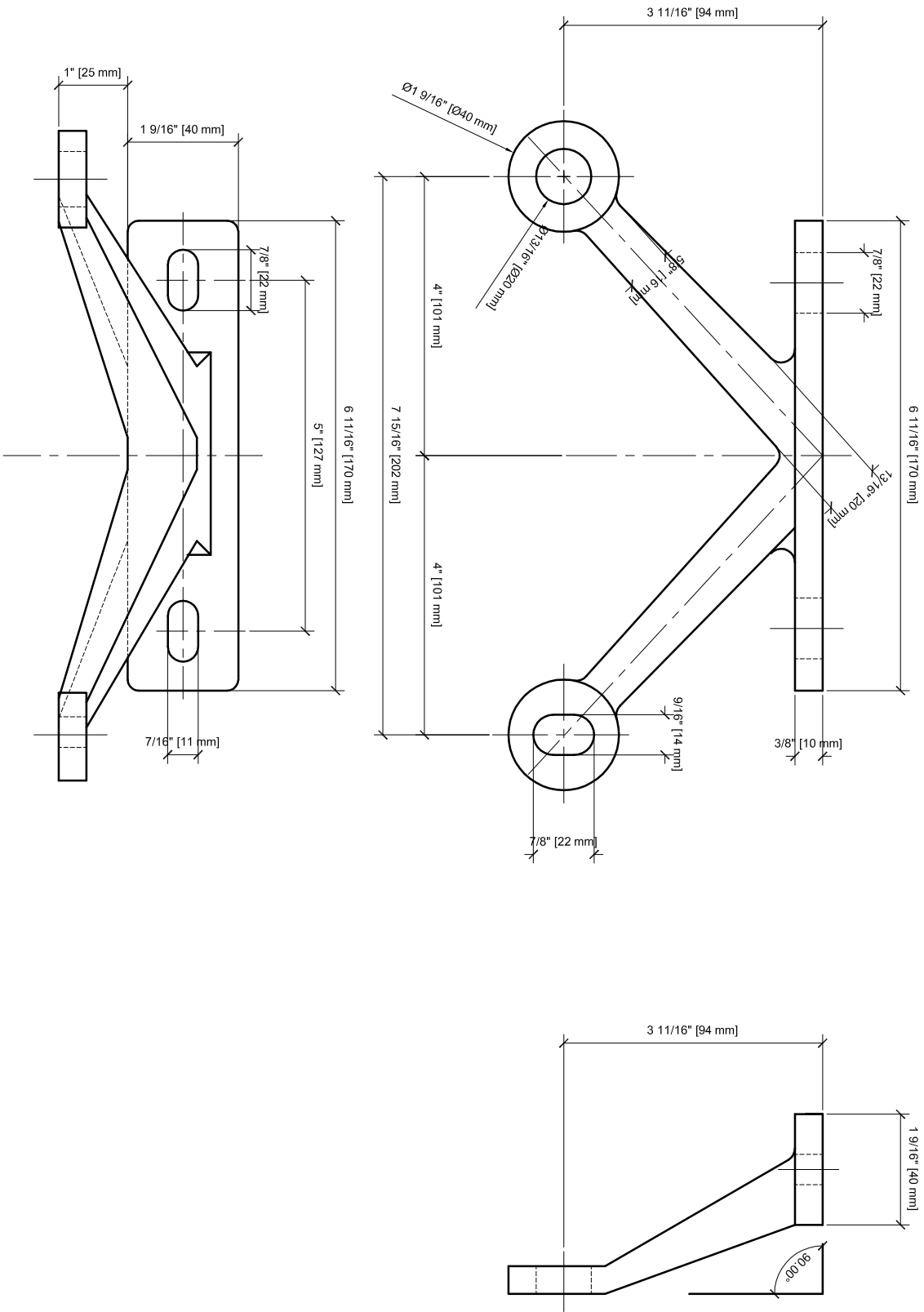


FMH2V



Drawn By: RGA Date: 05/13/10 Scale: As Noted Job No.: zc-xxx Sheet No.: 1	Glazing Contractor : CR LAURENCE Address 1 Address 2 Tel 1 xxx xxx xxxx Fax 1 xxx xxx xxxx	Project Name : FMH2V SPIDER FITTING - -	Architect : - - - Tel - Fax -	 C.R. LAURENCE CO. ARCHITECTURAL PRODUCTS 2503 E. Vernon Avenue, Los Angeles, CA 90058-1897 PH (800) 421-6144 FAX (800) 262-3299 www.crlaurence.com	Revisions By: JO - xuxuxxxx
	1				