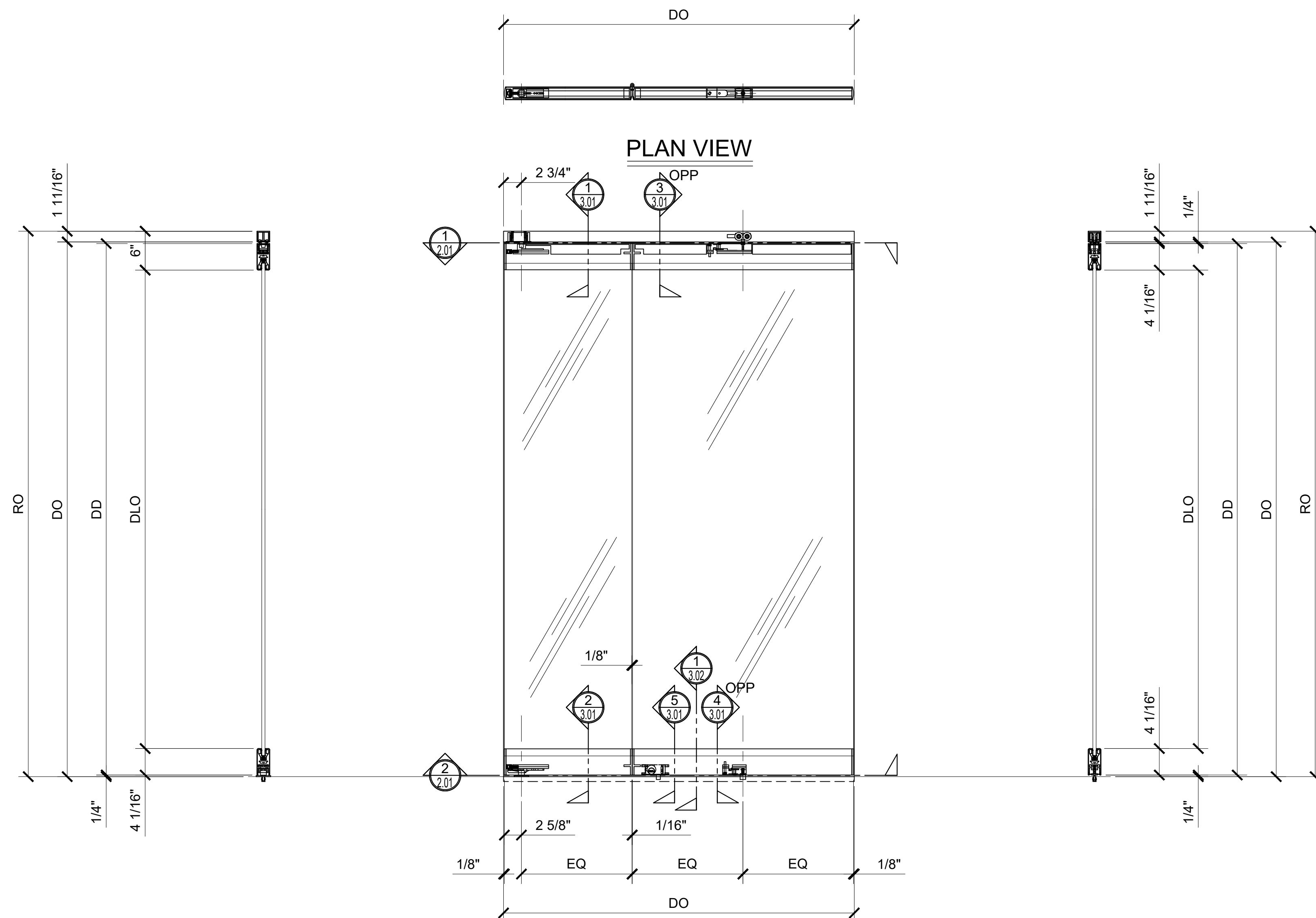
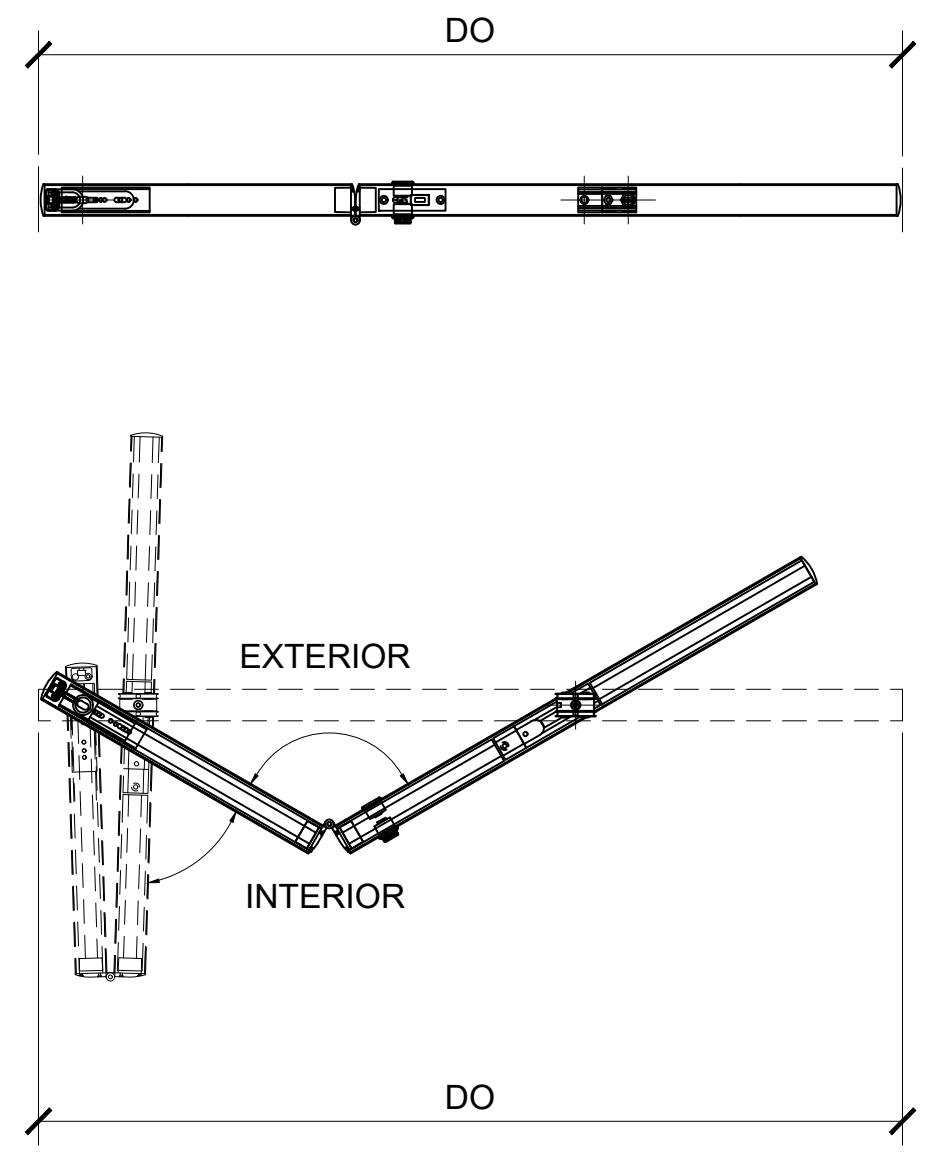




**CRL TOP HUNG SLIDING DOOR SYSTEMS**  
**OTC2 OVERHEAD TRACK HALF PANEL BI-FOLD DOOR SYSTEMS**  
**WITH CLAD AND 1/2" GLASS**



**1** INTERIOR ELEVATION STD LOCK POSITION SHOWN  
 ARCH REF: N/A 1"=1'-0"



**OTC2 OPEN PLAN VIEW**

**OTC2, OTC3, OTC4, OTC6 :**  
 NOTE: CLAD UNITS SHOWN

- AVAILABLE WITH 4" (101.6 MM) SQUARE DOOR RAILS AND BY CUSTOM ORDERS ONLY
- AVAILABLE WITH 1/2" GLASS ONLY
- PANELS HUNG FROM END POINT, MINIMIZING OBSTRUCTION
- CUSTOM BUILT TO YOUR SPECS FOR FIT AND FINISH

CRL OVERHEAD TRACK FULL PANEL BI-FOLD DOOR SYSTEMS ARE AVAILABLE IN FOUR CONFIGURATIONS, WITH A MAXIMUM OF THREE PANELS ON EACH SIDE OF THE OPENING. THE END PANELS ACT LIKE NORMAL CENTER PIVOTING DOORS AND CONNECT TO THE FIRST HANGING PANEL USING SPECIAL HINGED END CAPS ROLLER ASSEMBLY.  
 MAXIMUM PANEL WEIGHT NOT TO EXCEED 170 POUNDS (77 kg.)  
 MAXIMUM PANEL WIDTH IS 39" (990 mm.)  
 MINIMUM PANEL WIDTH IS 15" (381 mm.)  
 CONTACT CRL TECHNICAL SALES IN US AT (800) 521-6144  
 IN CANADA (877) 421-6144  
 INTERNATIONAL (323) 588-1281 EXT. 7700  
 YOU CAN ALSO SEND E-MAIL FROM THE CRLAURENCE.COM HOME PAGE. CLICK ON CONTACT US AND THEN CLICK ON TECHNICAL SALES FOR COMMERCIAL PRODUCTS.

**STRUCTURAL DISCLAIMER:**  
 ALL CUSTOMERS WHO IN ANY WAY UTILIZE THIS PRODUCT ARE SOLELY RESPONSIBLE TO CONSULT A STRUCTURAL ENGINEER TO DETERMINE THE SUITABILITY OF THE PRODUCT FOR THE INTENDED USE AND SITE CONDITIONS. ALL INSTALLERS MUST BE QUALIFIED AND HAVE PROFESSIONAL KNOWLEDGE ABOUT COMPLIANCE WITH LOCAL, STATE AND FEDERAL REGULATIONS, SAFETY FACTORS, AND THE APPROPRIATE CHOICE OF FIXING MATERIAL AND PROCEDURES.

STANDARD ABBREVIATIONS	
RO	ROUGH OPENING
FD	FRAME DIMENSION
DLO	DAYLIGHT OPENING
DO	DOOR OPENING
DD	DOOR DIMENSION
EQ	EQUAL
DP	DIMENSION POINT

Revisions By:

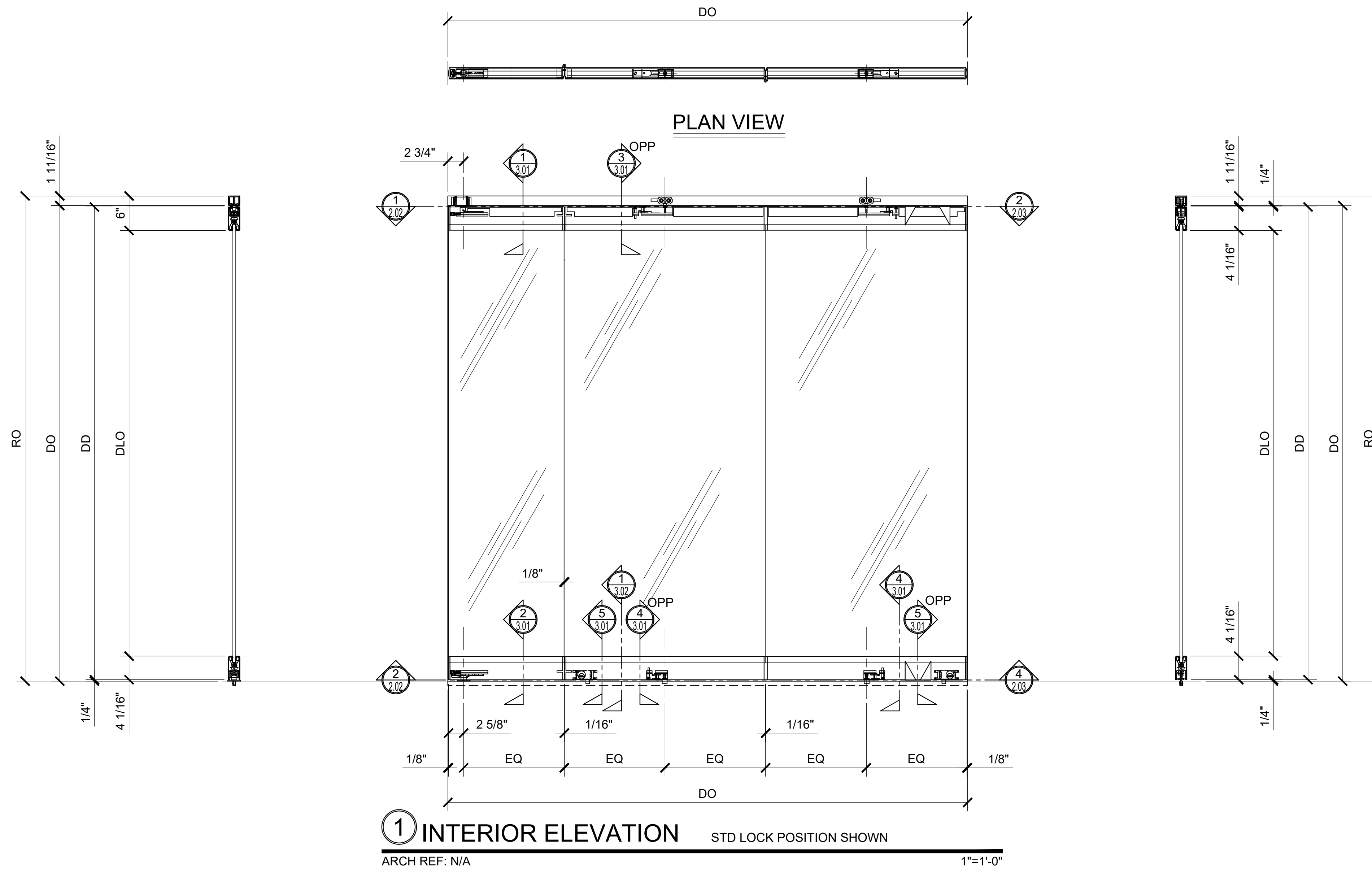


Description:  
**CRL OVERHEAD TRACK FULL PANEL BI-FOLD DOOR SYSTEMS FOR 1/2" GLASS**

Drawn By: TG  
 Date: 11-31-2017  
 Scale: AS NOTED  
 File Name: OTC.dwg



CRL TOP HUNG SLIDING DOOR SYSTEMS  
 OTC3 OVERHEAD TRACK HALF PANEL BI-FOLD DOOR SYSTEMS  
 WITH CLAD AND 1/2" GLASS



**STRUCTURAL DISCLAIMER:**  
 ALL CUSTOMERS WHO IN ANY WAY UTILIZE THIS PRODUCT ARE SOLELY RESPONSIBLE TO CONSULT A STRUCTURAL ENGINEER TO DETERMINE THE SUITABILITY OF THE PRODUCT FOR THE INTENDED USE AND SITE CONDITIONS. ALL INSTALLERS MUST BE QUALIFIED AND HAVE PROFESSIONAL KNOWLEDGE ABOUT COMPLIANCE WITH LOCAL, STATE AND FEDERAL REGULATIONS, SAFETY FACTORS, AND THE APPROPRIATE CHOICE OF FIXING MATERIAL AND PROCEDURES.

STANDARD ABBREVIATIONS	
RO	ROUGH OPENING
FD	FRAME DIMENSION
DLO	DAYLIGHT OPENING
DO	DOOR OPENING
DD	DOOR DIMENSION
EQ	EQUAL
DP	DIMENSION POINT

Revisions By:

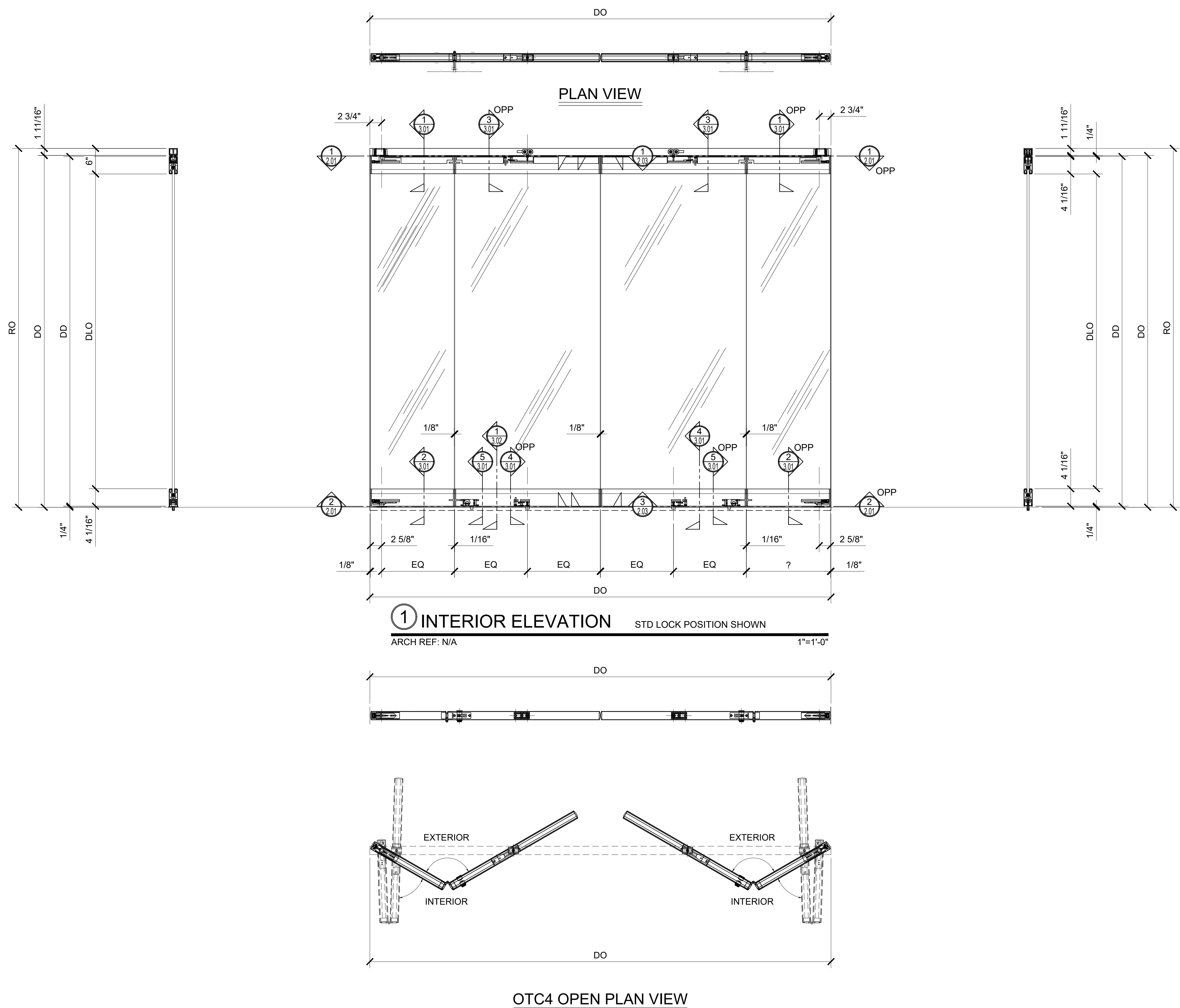
C.R. LAURENCE CO. ARCHITECTURAL PRODUCTS  
 2553 E. Vernon Avenue, Los Angeles, CA 90058-1897  
 PH (800)-421-6144 FX: 800-587-7301 www.crlaurence.com

Description:  
 CRL OVERHEAD TRACK  
 FULL PANEL BI-FOLD  
 DOOR SYSTEMS  
 FOR 1/2" GLASS

Drawn By: TG  
 Date: 11-31-2017  
 Scale: AS NOTED  
 File Name:  
 OTC.dwg



**CRL TOP HUNG SLIDING DOOR SYSTEMS**  
**OTC4 OVERHEAD TRACK HALF PANEL BI-FOLD DOOR SYSTEMS**  
**WITH CLAD AND 1/2" GLASS**



**STRUCTURAL DISCLAIMER:**  
 ALL CUSTOMERS WHO IN ANY WAY UTILIZE THIS PRODUCT ARE SOLELY RESPONSIBLE TO CONSULT A STRUCTURAL ENGINEER TO DETERMINE THE SUITABILITY OF THE PRODUCT FOR THE INTENDED USE AND SITE CONDITIONS. ALL INSTALLERS MUST BE QUALIFIED AND HAVE PROFESSIONAL KNOWLEDGE ABOUT COMPLIANCE WITH LOCAL, STATE AND FEDERAL REGULATIONS, SAFETY FACTORS, AND THE APPROPRIATE CHOICE OF FIXING MATERIAL AND PROCEDURES.

STANDARD ABBREVIATIONS	
RO	ROUGH OPENING
FD	FRAME DIMENSION
DLO	DAYLIGHT OPENING
DO	DOOR OPENING
DD	DOOR DIMENSION
EQ	EQUAL
DP	DIMENSION POINT

Revisions By:



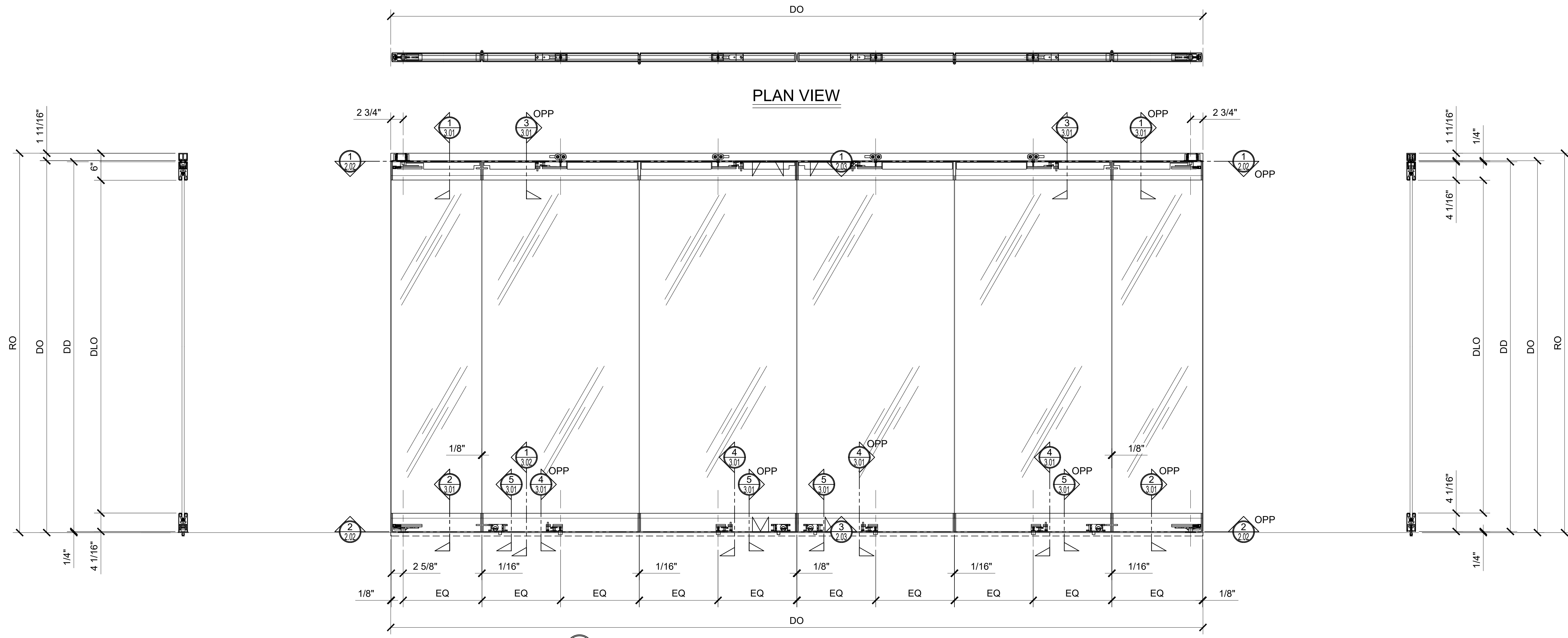
Description:  
 CRL OVERHEAD TRACK  
 FULL PANEL BI-FOLD  
 DOOR SYSTEMS  
 FOR 1/2" GLASS

Drawn By: TG  
 Date: 11-31-2017  
 Scale: AS NOTED  
 File Name:  
 OTC.dwg

Sheet  
 1.03



CRL TOP HUNG SLIDING DOOR SYSTEMS  
 OTC6 OVERHEAD TRACK HALF PANEL BI-FOLD DOOR SYSTEMS  
 WITH CLAD AND 1/2" GLASS



① INTERIOR ELEVATION STD LOCK POSITION SHOWN  
 ARCH REF: N/A 1"=1'-0"

**STRUCTURAL DISCLAIMER:**  
 ALL CUSTOMERS WHO IN ANY WAY UTILIZE THIS PRODUCT ARE SOLELY RESPONSIBLE TO CONSULT A STRUCTURAL ENGINEER TO DETERMINE THE SUITABILITY OF THE PRODUCT FOR THE INTENDED USE AND SITE CONDITIONS. ALL INSTALLERS MUST BE QUALIFIED AND HAVE PROFESSIONAL KNOWLEDGE ABOUT COMPLIANCE WITH LOCAL, STATE AND FEDERAL REGULATIONS, SAFETY FACTORS, AND THE APPROPRIATE CHOICE OF FIXING MATERIAL AND PROCEDURES.

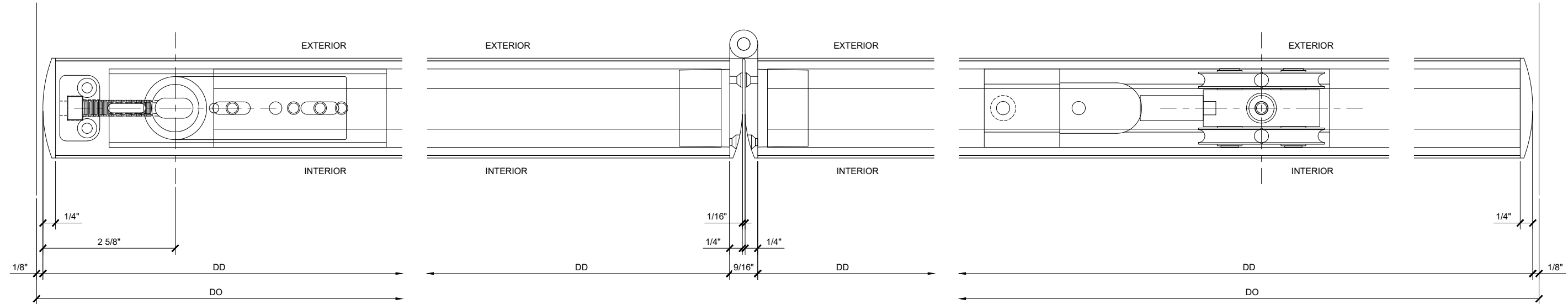
STANDARD ABBREVIATIONS	
RO	ROUGH OPENING
FD	FRAME DIMENSION
DLO	DAYLIGHT OPENING
DO	DOOR OPENING
DD	DOOR DIMENSION
EQ	EQUAL
DP	DIMENSION POINT

Revisions By:




Description:  
 CRL OVERHEAD TRACK  
 FULL PANEL BI-FOLD  
 DOOR SYSTEMS  
 FOR 1/2" GLASS

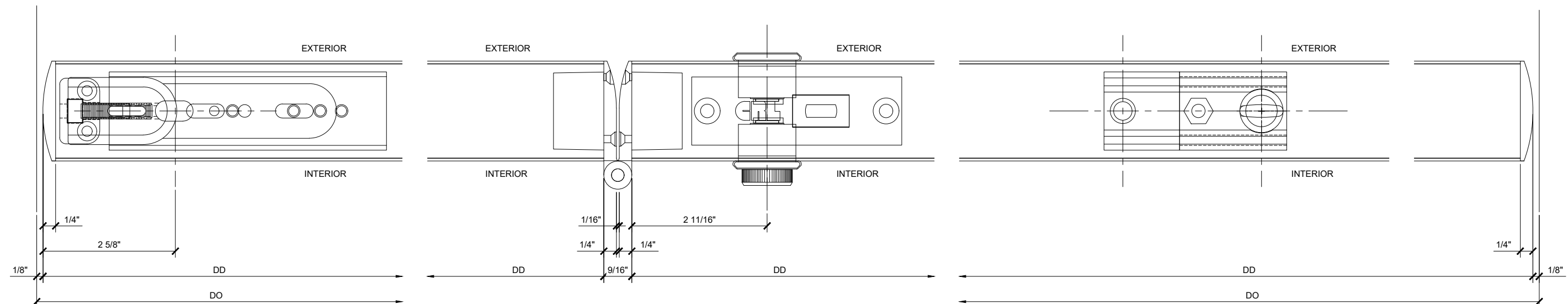
Drawn By: TG  
 Date: 11-31-2017  
 Scale: AS NOTED  
 File Name: OTC.dwg



**① OTC2 TOP RAIL DETAILS**

ARCH REF: N/A

1-0"=1'-0"



**② OTC2 BOTTOM RAIL DETAILS**

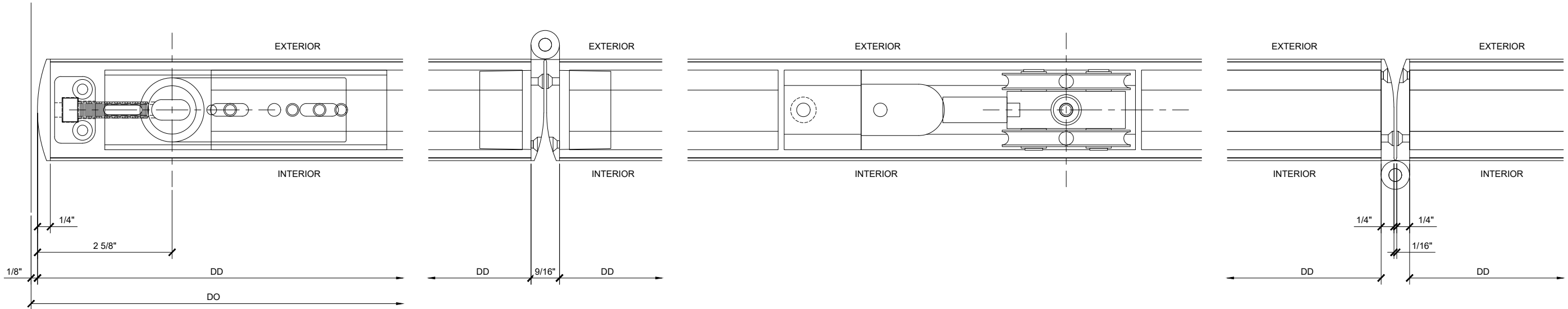
ARCH REF: N/A

1-0"=1'-0"

**Description:**  
 CRL OVERHEAD TRACK  
 FULL PANEL BI-FOLD  
 DOOR SYSTEMS  
 FOR 1/2" GLASS

Drawn By: TG  
 Date: 11-31-2017  
 Scale: AS NOTED  
 File Name:  
 OTC.dwg

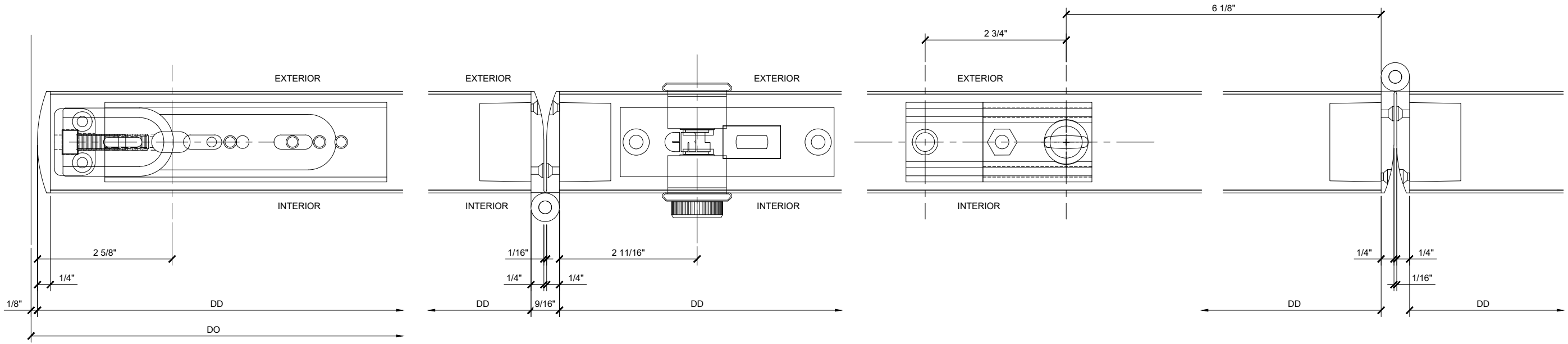
Sheet



**① OTC3 TOP RAIL DETAILS**

ARCH REF: N/A

1-0"=1'-0"



**② OTC3 BOTTOM RAIL DETAILS**

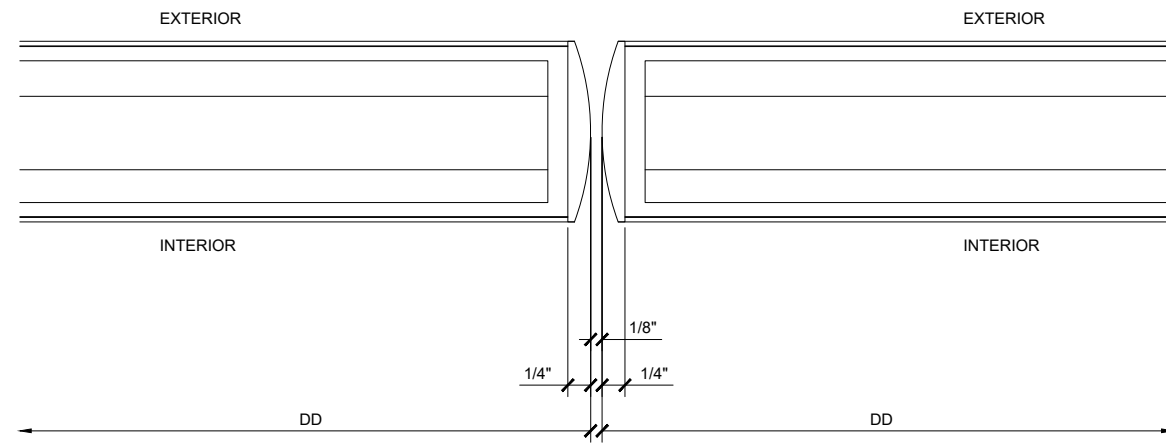
ARCH REF: N/A

1-0"=1'-0"

Description:  
CRL OVERHEAD TRACK  
FULL PANEL BI-FOLD  
DOOR SYSTEMS  
FOR 1/2" GLASS

Drawn By: TG  
Date: 11-31-2017  
Scale: AS NOTED  
File Name:  
OTC.dwg

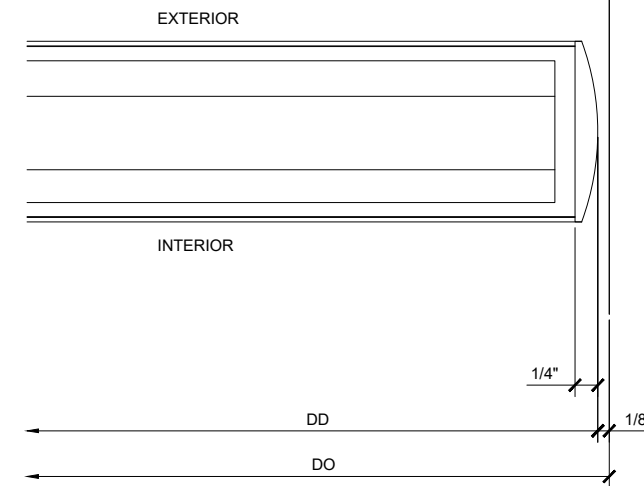
Sheet



① OTC4 & OTC6 TOP RAIL MEETING STILE DETAIL

ARCH REF: N/A

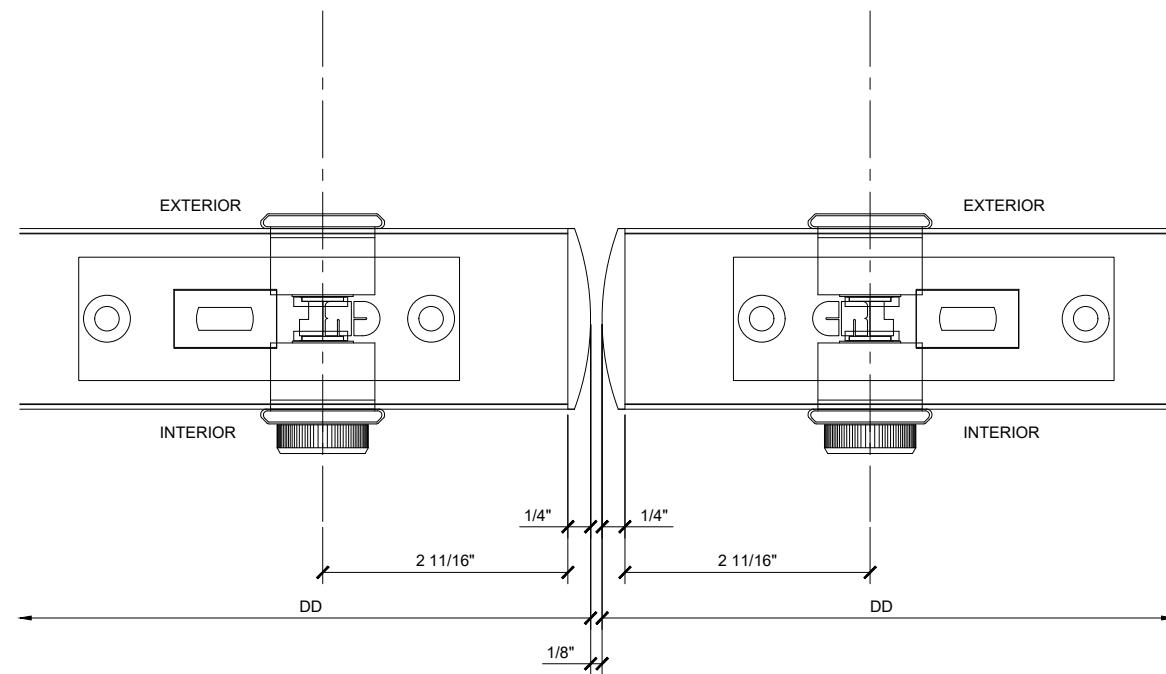
1-0"=1'-0"



② OTC3 TOP RAIL JAMB DETAIL

ARCH REF: N/A

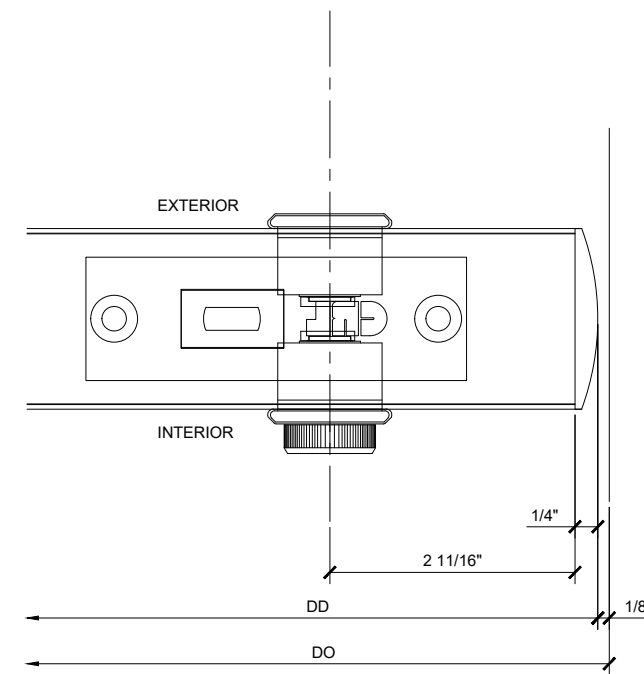
1-0"=1'-0"



③ OTC4 & OTC6 BOTTOM RAIL MEETING STILE DETAIL

ARCH REF: N/A

1-0"=1'-0"



④ OTC3 BOTTOM RAIL JAMB DETAIL

ARCH REF: N/A

1-0"=1'-0"

Description:  
CRL OVERHEAD TRACK  
FULL PANEL BI-FOLD  
DOOR SYSTEMS  
FOR 1/2" GLASS

Drawn By: TG  
Date: 11-31-2017  
Scale: AS NOTED  
File Name:  
OTC.dwg

Sheet

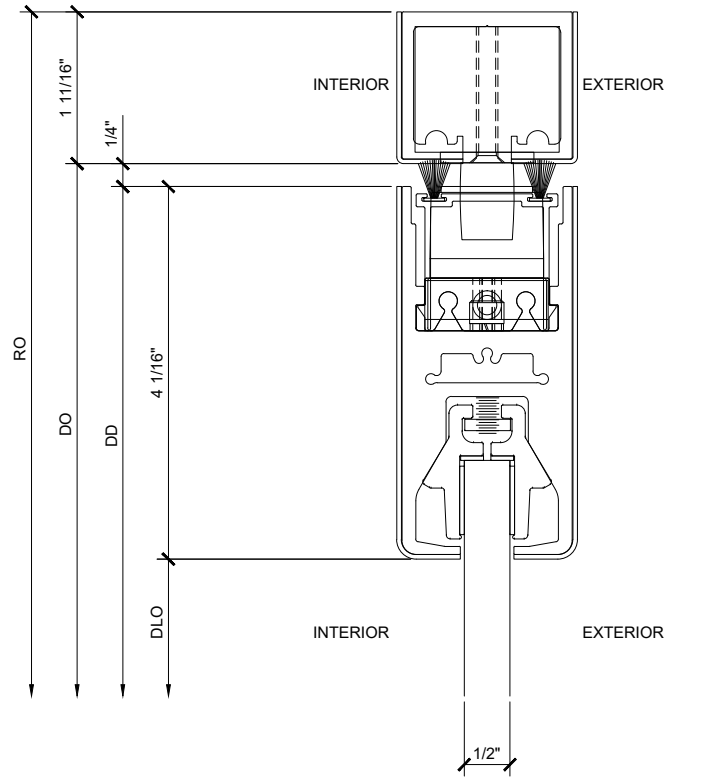


C.R. LAURENCE CO., ARCHITECTURAL PRODUCTS  
2503 E. Vernon Avenue, Los Angeles, CA 90058-1897  
PH (800) 421-6144 FX (800) 387-7501 www.crlaurence.com

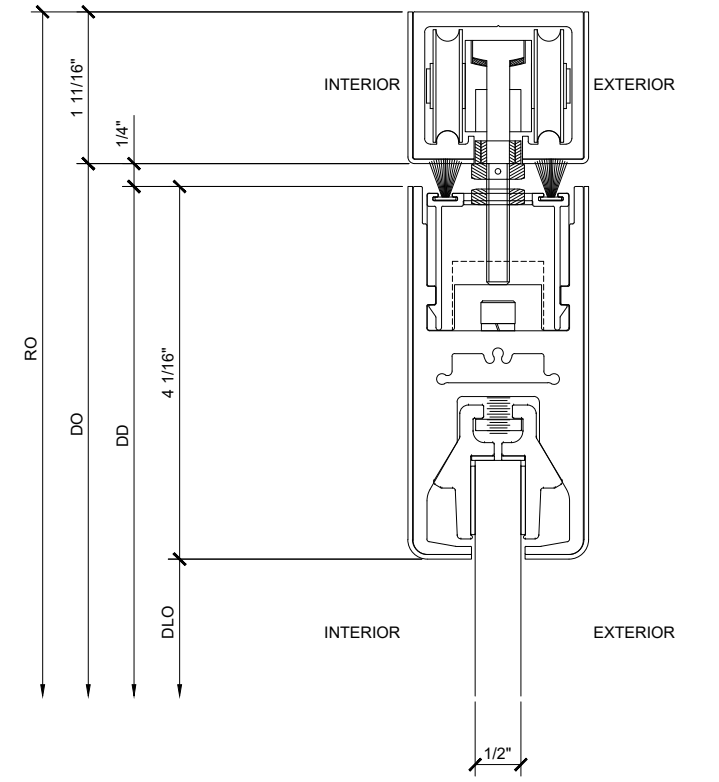
Description:  
CRL OVERHEAD TRACK  
FULL PANEL BI-FOLD  
DOOR SYSTEMS  
FOR 1/2" GLASS

Drawn By: TG  
Date: 11-31-2017  
Scale: AS NOTED  
File Name:  
OTC.dwg

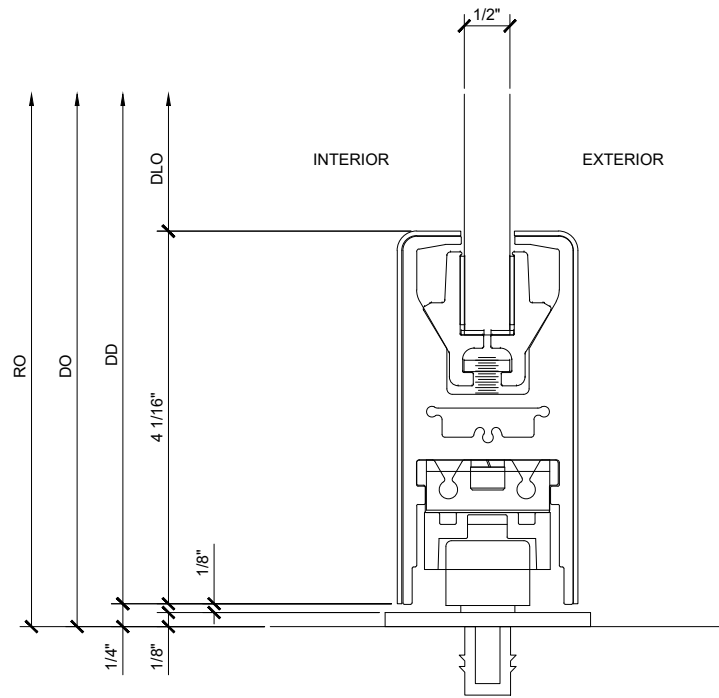
Sheet



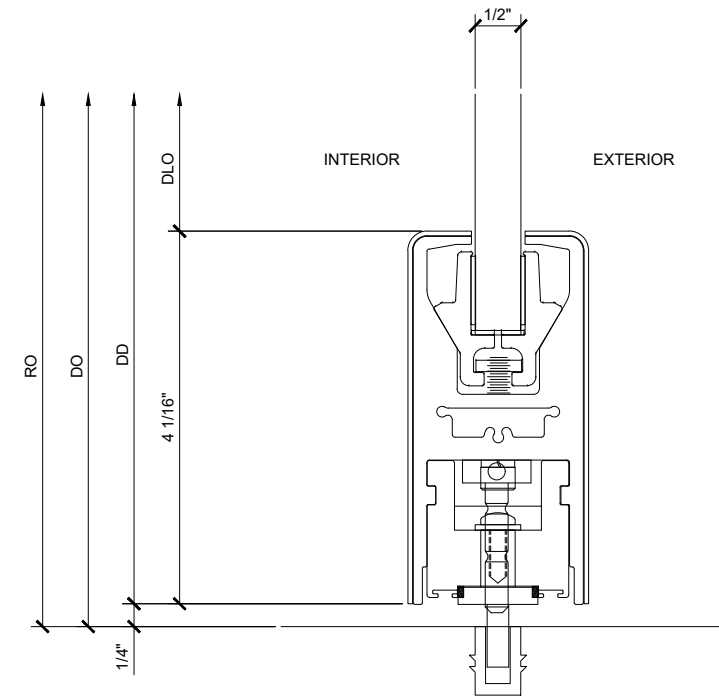
① HEAD DETAIL  
ARCH REF: N/A 1-0"=1'-0"



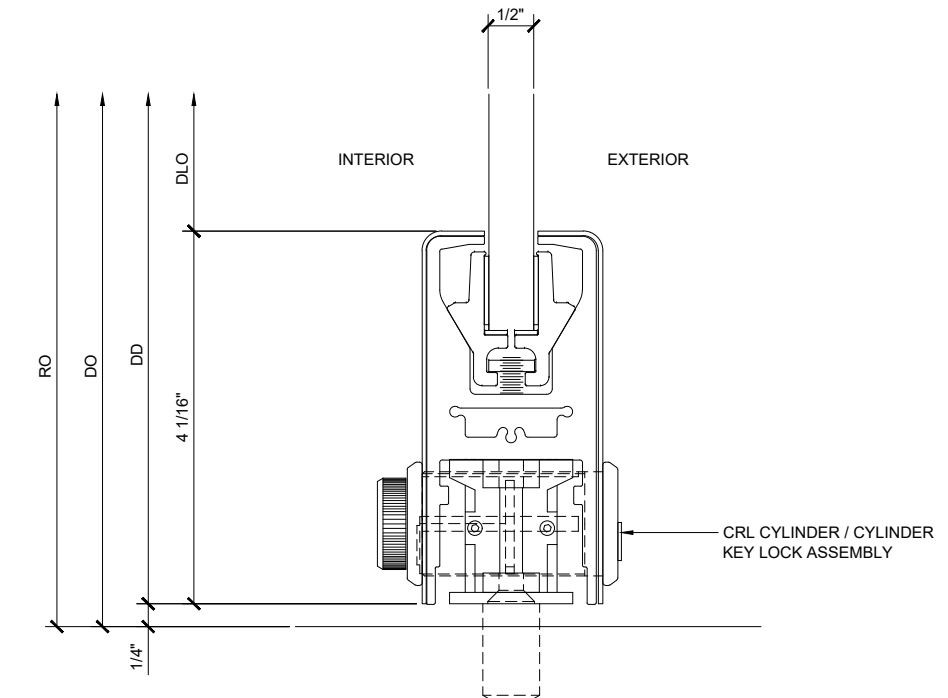
③ HEAD DETAIL  
ARCH REF: N/A 1-0"=1'-0"



② SILL DETAIL  
ARCH REF: N/A 1-0"=1'-0"

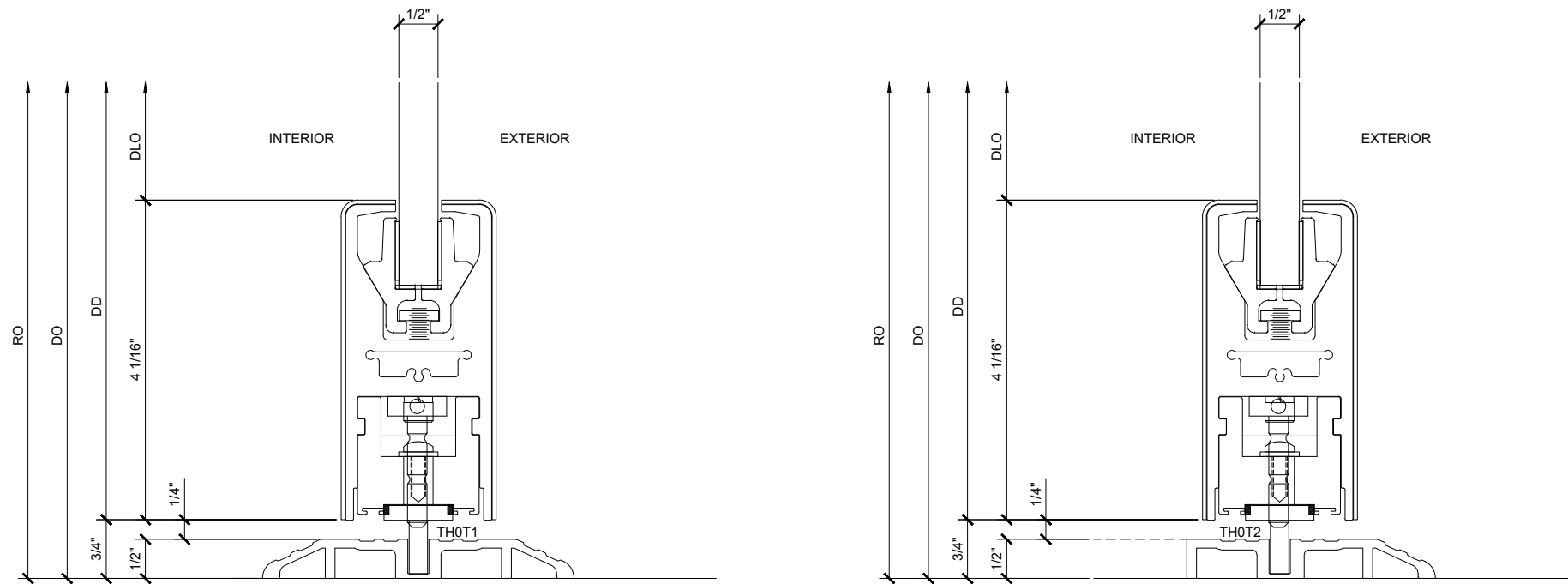


④ SILL DETAIL  
ARCH REF: N/A 1-0"=1'-0"



⑤ SILL DETAIL WITH LOCK  
ARCH REF: N/A 1-0"=1'-0"





**1** SILL DETAIL WITH OPTIONAL THRESHOLDS

ARCH REF: N/A

1-0"=1'-0"

*Description:*  
 CRL OVERHEAD TRACK  
 FULL PANEL BI-FOLD  
 DOOR SYSTEMS  
 FOR 1/2" GLASS

Drawn By: TG

Date: 11-31-2017

Scale: AS NOTED

File Name:

OTC.dwg

Sheet