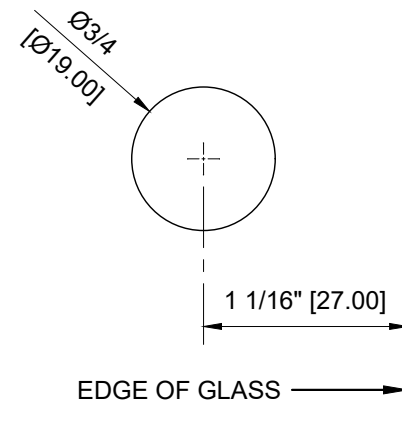
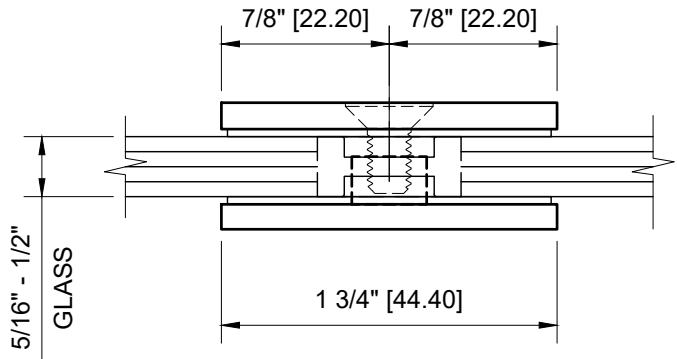
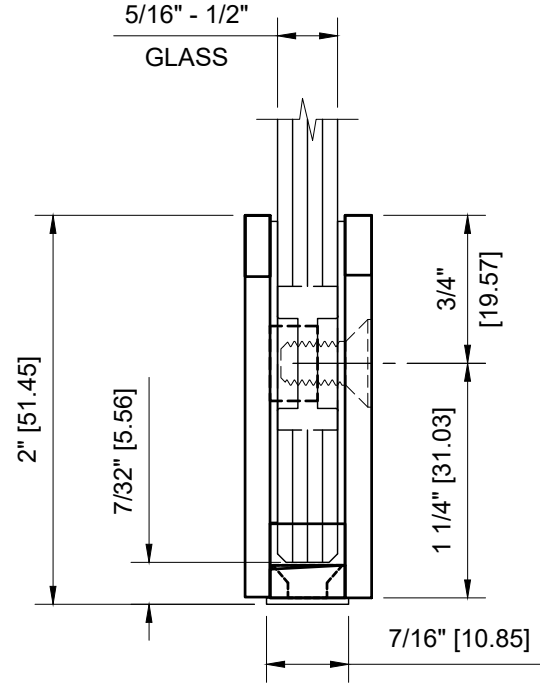
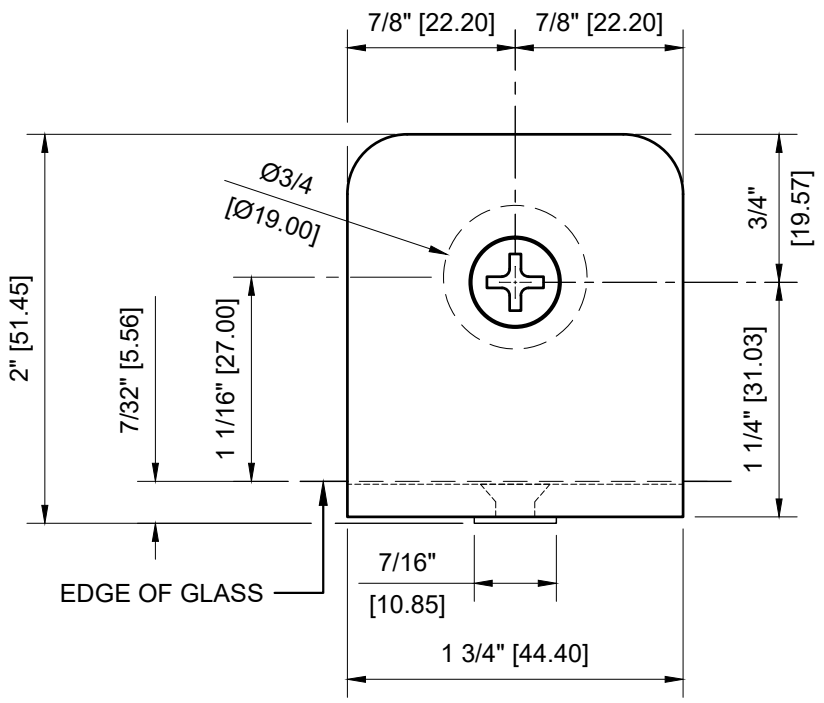


GLASS: 5/16" (8mm)
GLASS: 3/8" (10mm)
GLASS: 1/2" (12mm)



GLASS FABRICATION TEMPLATE



CRL - GCB186 TRADITIONAL MOVABLE WALL MOUNT TRANSOM CLAMP FOR 5/16" - 1/2" GLASS

DATE: 10-26-2020
SCALE: 1'-0"=1'-0"
DRAWN BY: VM

DESCRIPTION: CRL - GCB186
STANDARD MOVABLE TRANSOM CLAMP

C.R. LAURENCE CO. ARCHITECTURAL PRODUCTS  
 2503 E. Vernon Avenue, Los Angeles, CA 90058-1897  
 PH (800)-421-6144 FX: 800-587-7501 www.crlaurence.com

