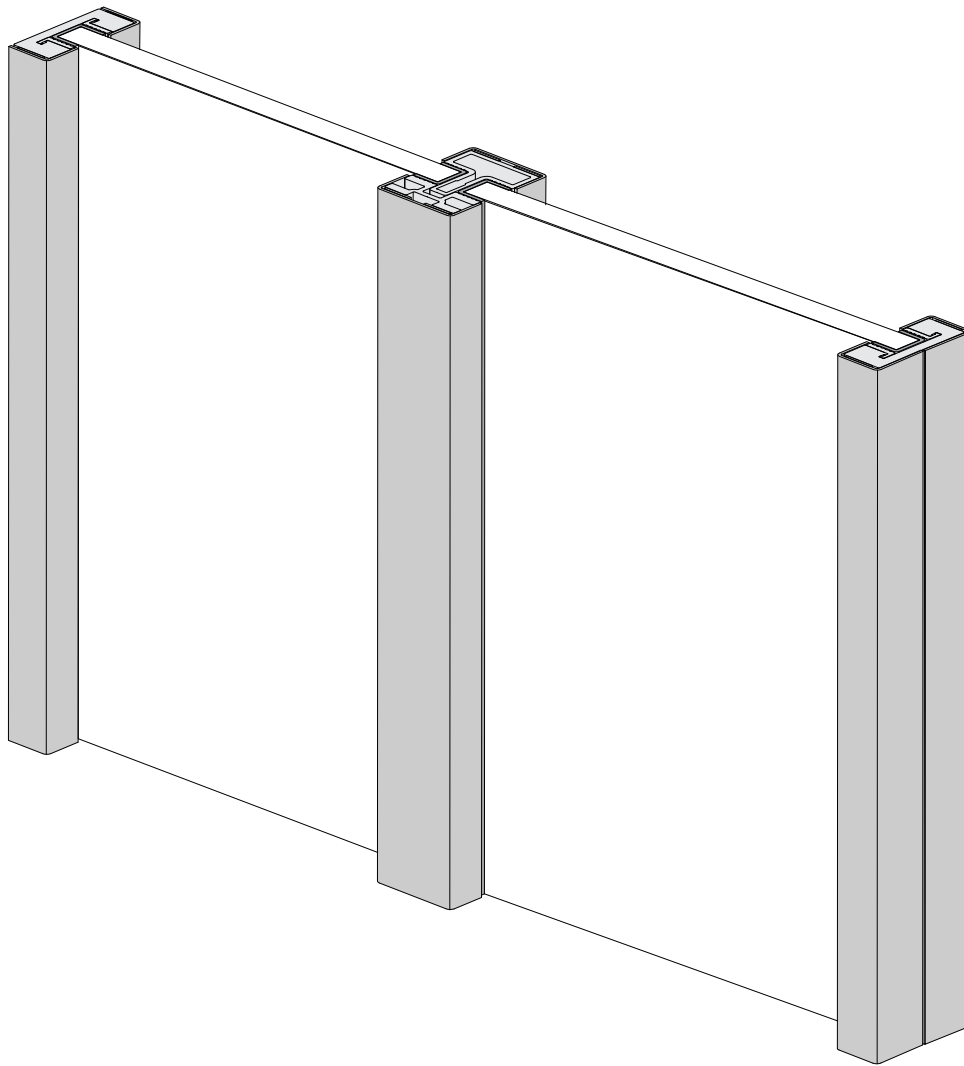


# NARROW OFFICE FRONT

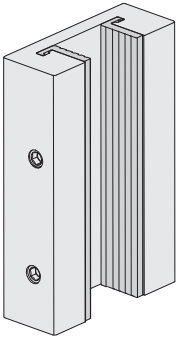
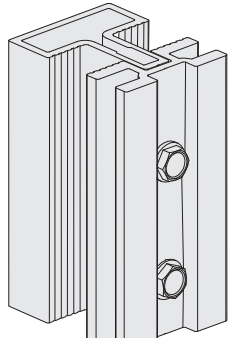
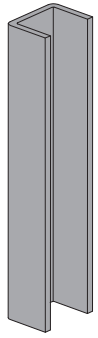
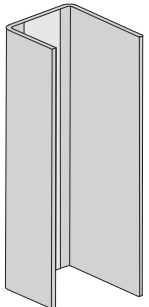
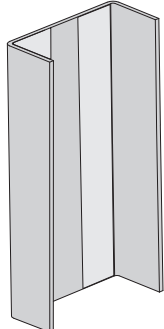
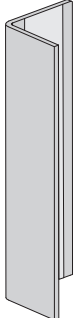


# INTRODUCTION

CRL Narrow Office Front Jamb and Vertical Mullion is designed for interior office use with 1/2" (12 mm) fully tempered glass. The mechanical clamping components integrate with our popular DRS Rails and Vertical Weatherstiles to produce higher performance values than a typical butt glazed installation with an easy installation. Offered in 120" (3.05 m) stock lengths or can be special ordered in custom lengths. Available in satin or black bronze anodized, polished or brushed stainless steel, and polished brass cladded finishes.

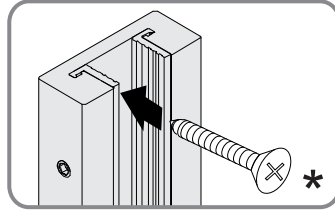
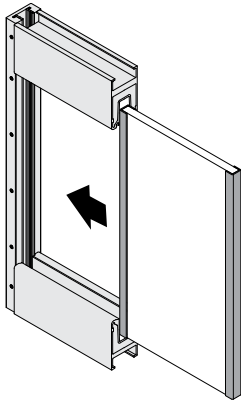
**IMPORTANT: READ THIS MANUAL THOROUGHLY BEFORE BEGINNING INSTALLATION.**

## PARTS LIST

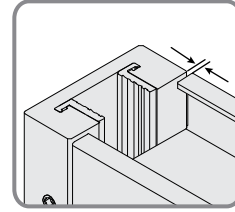
<p>J12 / WJ12</p>  <p>Narrow Jamb</p>	<p>M12</p>  <p>Narrow Mullion</p>	 <p>Neoprene Gasket</p>
 <p>J12 Clad</p>	 <p>M12 Clad</p>	 <p>WJ12 Clad</p>

Begin installation at wall jamb.

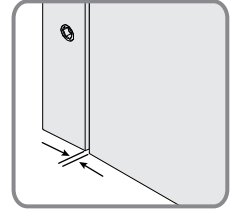
1



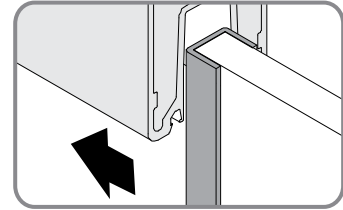
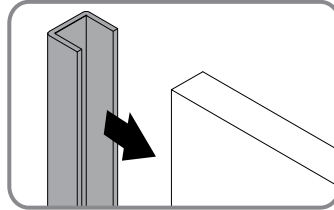
Secure wall jamb to wall.



Leave gap for cladding when installing head and sill.

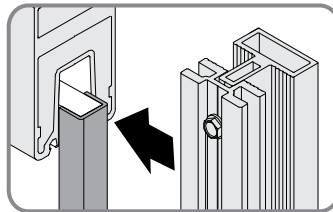
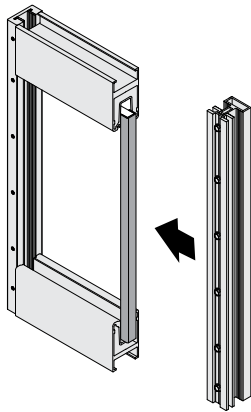


\* Fasteners supplied by others.

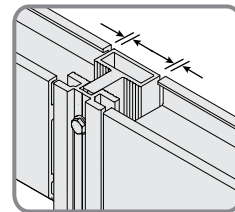


Fit gasket on glass edges and slide glass panel into wall jamb.

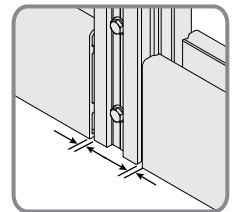
2



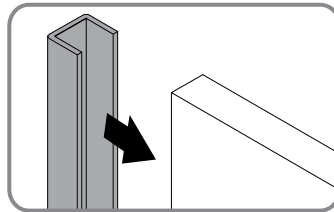
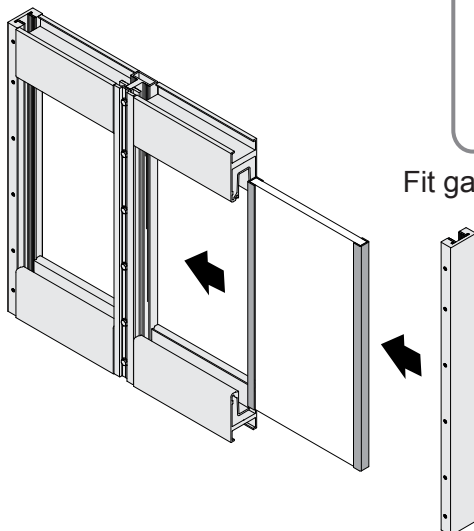
Fit mullion onto glass panel.



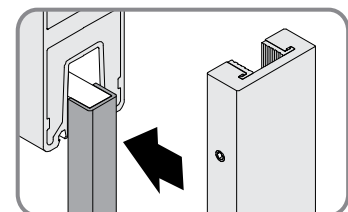
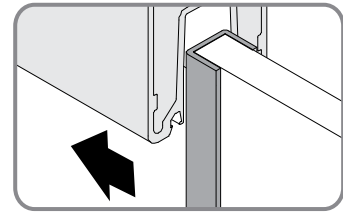
Leave gap for cladding when installing head and sill.



3

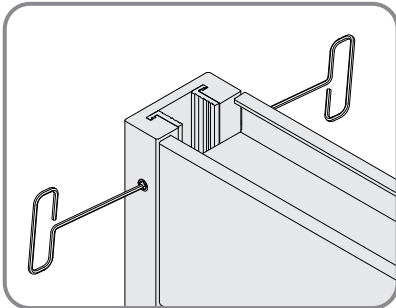
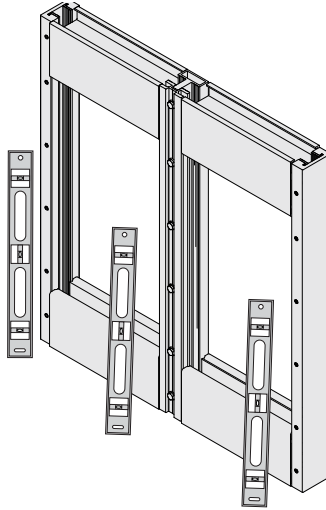


Fit gasket on glass edges and slide glass panel into wall jamb.

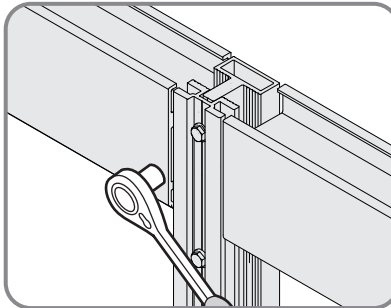


Fit door jamb onto glass panel.

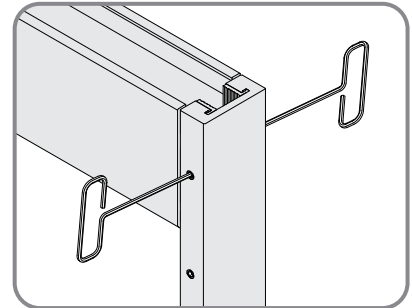
Ensure frame is level and plumb, then secure.



Equally hand tighten set screws on both sides of each wall jamb.



Equally hand tighten screws on each mullion.

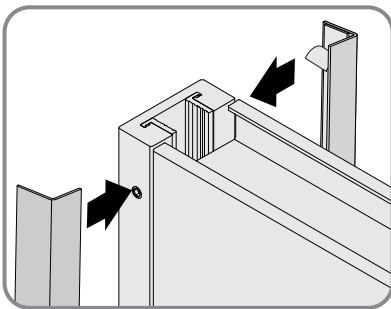


Equally hand tighten set screws on both sides of each door jamb.

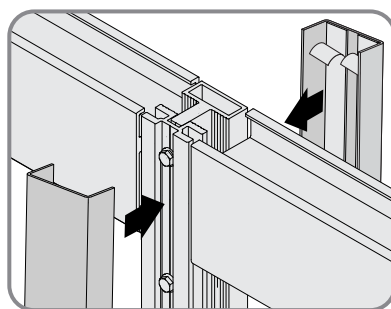
Go back and tighten screws completely.

---

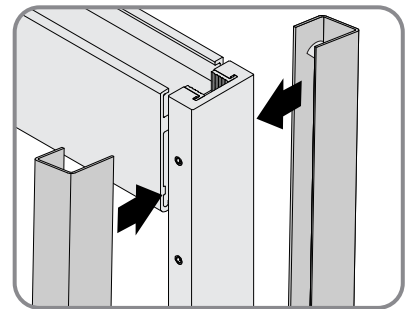
Finish with cladding.



Wall Jamb



Mullion



Door Jamb

Remove paper from double stick tape and apply cladding to both sides of each jamb and mullion.

## CARE AND CLEANING OF STAINLESS STEEL

Satin polished stainless steel is one of the most durable and easiest finishes to maintain. Although stainless steel is generally resistant to corrosion, the surface is susceptible to cosmetic deterioration by the effects of salt water and air-borne chemicals which may result in small brown spots appearing on its surface (this process is likely to be accelerated in coastal areas). These spots in no way affect the strength, integrity or longevity of the product, they are simply superficial discolorations that require cleaning to restore the stainless steel to its original appearance.

Stainless steel finishes should be cleaned with rubbing motions in the same direction as the grain texture with a foam spray cleaner, such as **CRL Cat. No. CRL841** Stainless Steel Polish & Cleaner, which cleans, polishes, and protects stainless steel without hard rubbing and polishing. A coating of CRL841 resists fingerprints, grease and water splatter, and helps preserve the factory finish.

Wipe with a clean, dry cloth such as **CRL Cat. No. 1550** Lint-Free Glass Wipes, which are made with four plies of strong, white paper and reinforced in both directions with an extra ply of tough nylon. These highly absorbent rugged wipes will stand up to the most demanding shop work.

For repair of damaged finishes, satin stainless steel can be rubbed with the **CRL Cat. No. SB7447F** - 3M® Scotch-Brite™ Fine Pad.

Stainless steel finishes should be rubbed in the same direction as the grain texture.

For **LONG TERM PROTECTION** and use on **REPAIRED AREAS**, CRL offers an unsurpassed surface treatment system specifically designed to protect both glass and stainless steel.

**CRL 6K Hydrophobic Surface Protection** product is a two-step system.

Step One: **CRL Cat. No. PC6025** - 6K Pre-Clean Solution (250 ml bottle)

Step Two: **CRL Cat. No. 6K6025** - 6K Protect Formula (250 ml bottle)

Proper application of the 6K System will offer surface protection for up to three years.

Visit [crlaurence.com](http://crlaurence.com) for more details.

C.R. Laurence, Inc. warrants all products manufactured by it and supplied hereunder to be free from defects in material and workmanship in accordance to our contract.

This warranty shall not apply to any products not manufactured by CRL, nor to any products which have been repaired or altered by others without CRL's written consent. This warranty shall not include failure of parts and materials due to improper installation, inadequate support of surrounding structures, and/or lack of proper maintenance.



# JOB SITE ESSENTIALS

Helpful Tools and Supplies for Installing CRL-U.S. Aluminum Entrances, Storefronts, Office, and Curtain Wall Systems



**CRL Glass Cleaner**  
CAT. NO. 1973



**CRL Lint Free Glass Wipes**  
CAT. NO. 1550



**CRL Gloves**  
CAT. NO. KF1TL



**CRL Vacuum Cup**  
CAT. NO. S338



**CRL Glass Marking Pencil**  
CAT. NO. GM44



**CRL Tape Measure**  
CAT. NO. 54225



**CRL Stainless Steel Polish and Cleaner**  
CAT. NO. CRL841



**CRL Stainless Steel Sentry Protection Spray**  
CAT. NO. CRL845



**CRL 3M® Scotch-Brite™ Fine Pad**  
CAT. NO. SB7447F



**CRL 6K Hydrophobic Surface Protection System for Glass and Stainless Steel - Pre-Clean Solution**  
CAT. NO. PC6025



**CRL 6K Hydrophobic Surface Protection System for Glass and Stainless Steel - Protective Formula**  
CAT. NO. 6K6025



**CRL 1.69 Fl. Oz. (50 ml) Bottle Loctite® Threadlocker**  
CAT. NO. 24231