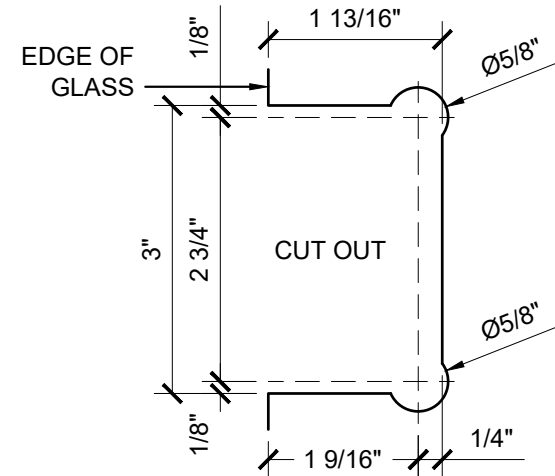
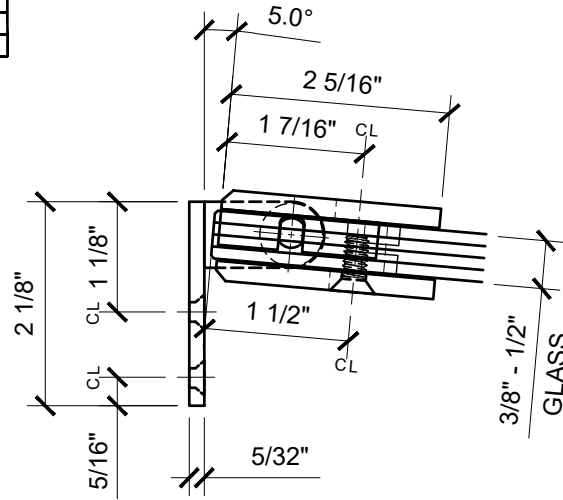
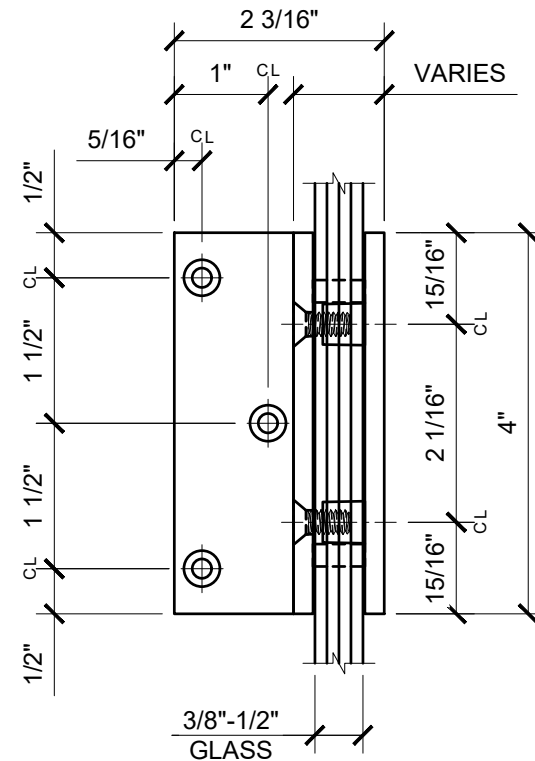
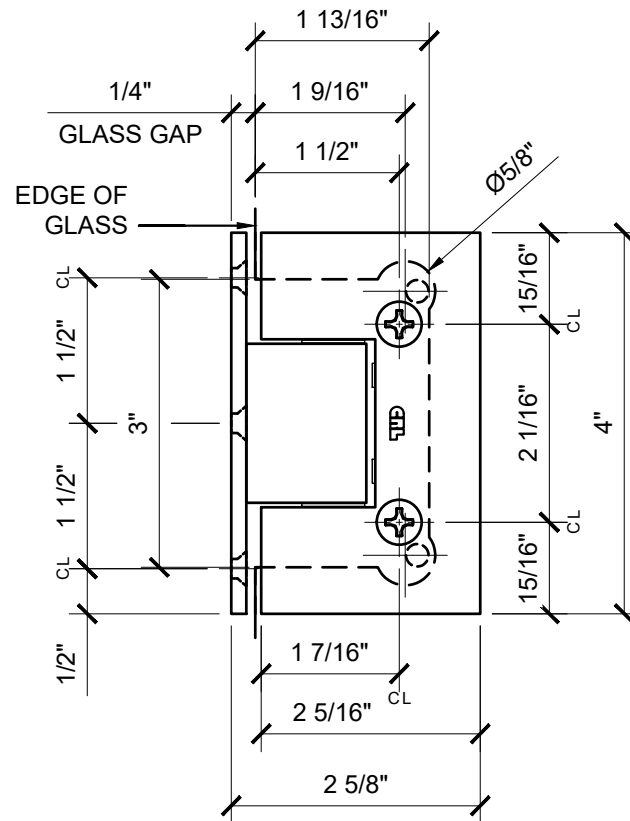


USE OF GASKETS

FOR 3/8" (10mm) GLASS: USE ONE THICK GASKET ON EACH SIDE
 FOR 1/2" (12mm) GLASS: USE ONE THIN GASKET ON EACH SIDE



GLASS FABRICATION TEMPLATE



| CATALOG NUMBER | FINISH |
|----------------|-------------------------|
| V1E544CH | CHROME |
| V1E544MBL | MATTE BLACK |
| V1E544BR | BRASS |
| V1E544ORB | OIL RUBBED BRONZE |
| V1E544ABC0 | ANTIQUE BRUSHED COPPER |
| V1E544ABL | ALL BLACK |
| V1E544ABN | ANTIQUE BRUSHED NICKEL |
| V1E544ABR | ANTIQUE BRASS |
| V1E544ABRZ | ANTIQUE BRONZE |
| V1E544AW | ALL WHITE |
| V1E544BBRZ | BRUSHED BRONZE |
| V1E544BC0 | BRUSHED COPPER |
| V1E544BL | BLACK W/ CHROME ACCENTS |
| V1E544BN | BRUSHED NICKEL |
| V1E544BSC | BRUSHED SATIN CHROME |
| V1E544CBA | CHROME W/ BRASS ACCENTS |
| V1E544GM | GUN METAL |
| V1E544GB | GOLD PLATED |
| V1E544PN | POLISHED NICKEL |
| V1E544SB | SATIN BRASS |
| V1E544SC | SATIN CHROME |
| V1E544SN | SATIN NICKEL |
| V1E544WC | WHITE W/ CHROME ACCENTS |

V1E544XX - CRL VIENNA SERIES 5° WALL MOUNT OFFSET BACK PLATE HINGE

DATE: 12/01/17
 SCALE: 6"=1'-0"
 DRAWN BY: VM

DESCRIPTION: CRL V1E544—
 VIENNA SERIES 5 DEGREE PRE-SET
 WALL MOUNT OFFSET BACK PLATE HINGE

C.R.LAURENCE CO. ARCHITECTURAL PRODUCTS
 2503 E. Vernon Avenue, Los Angeles, C.A 90058-1897
 PH (800)-421-6144 FX: 800-587-7501 www.crlaurence.com

