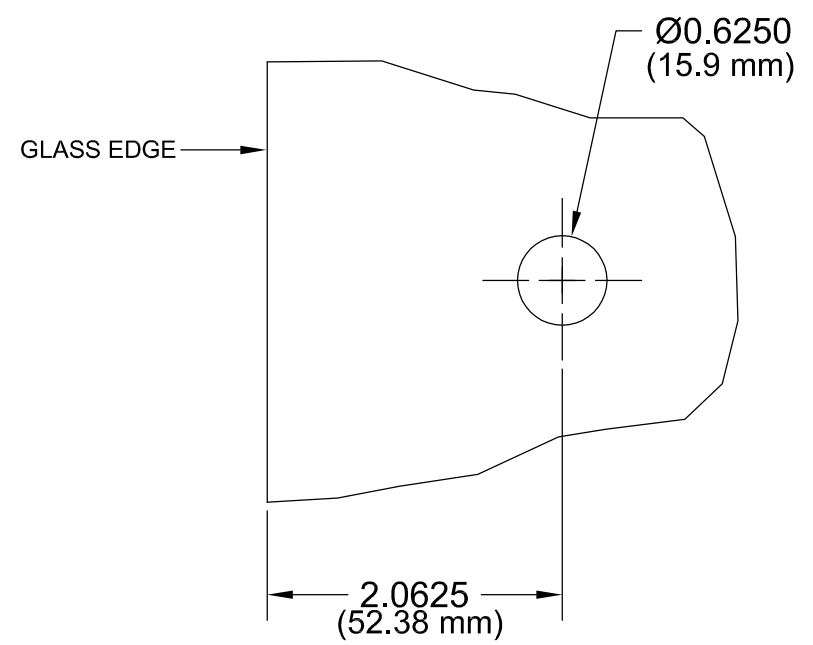
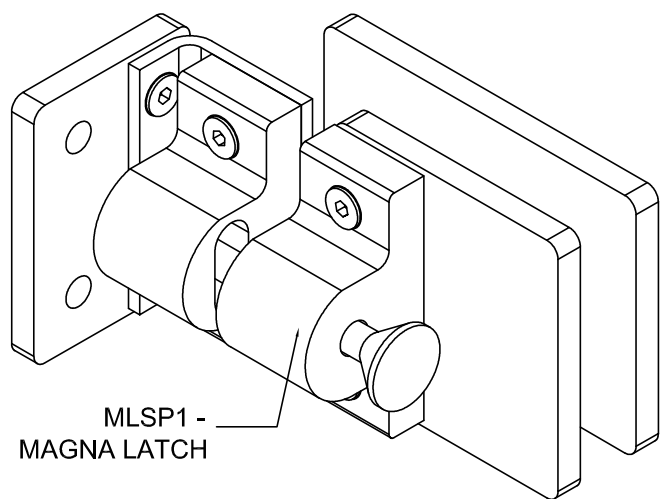
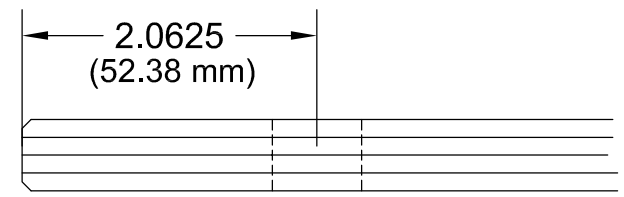
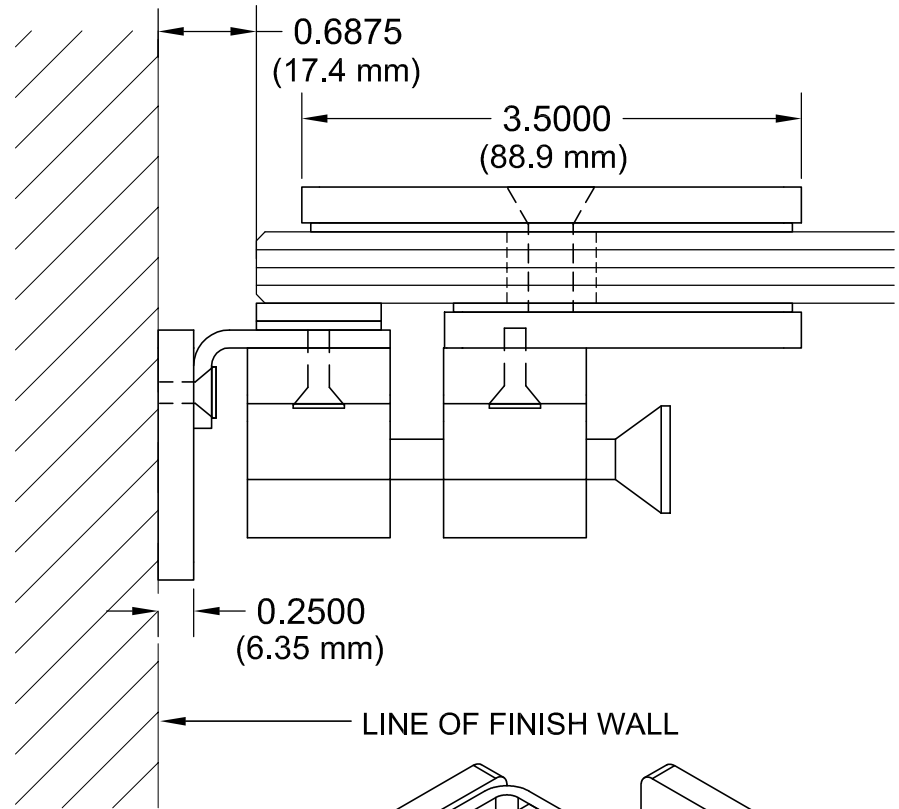


MLSP4BS GLASS FABRICATION TEMPLATE

REV	DESCRIPTION	DATE	BY



DRAWINGS ARE NOT TO SCALE



ARCHITECTURAL PRODUCTS
PH: 800-421-6144 FX: 800-262-3299
WWW.CRLAURENCE.COM

DESCRIPTION: CRL PART NUMBER MLSP4BS

Mat'l:

CAT. NO:	DATE: 07-12-07
FILE NAME: MLSP4BS	SCALE: AS SHOWN
DRAWN BY: J.V.	CHECKED BY:
SHT 1 OF 1	