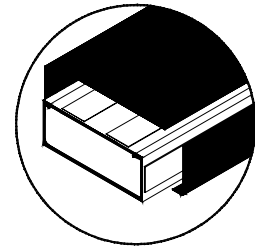
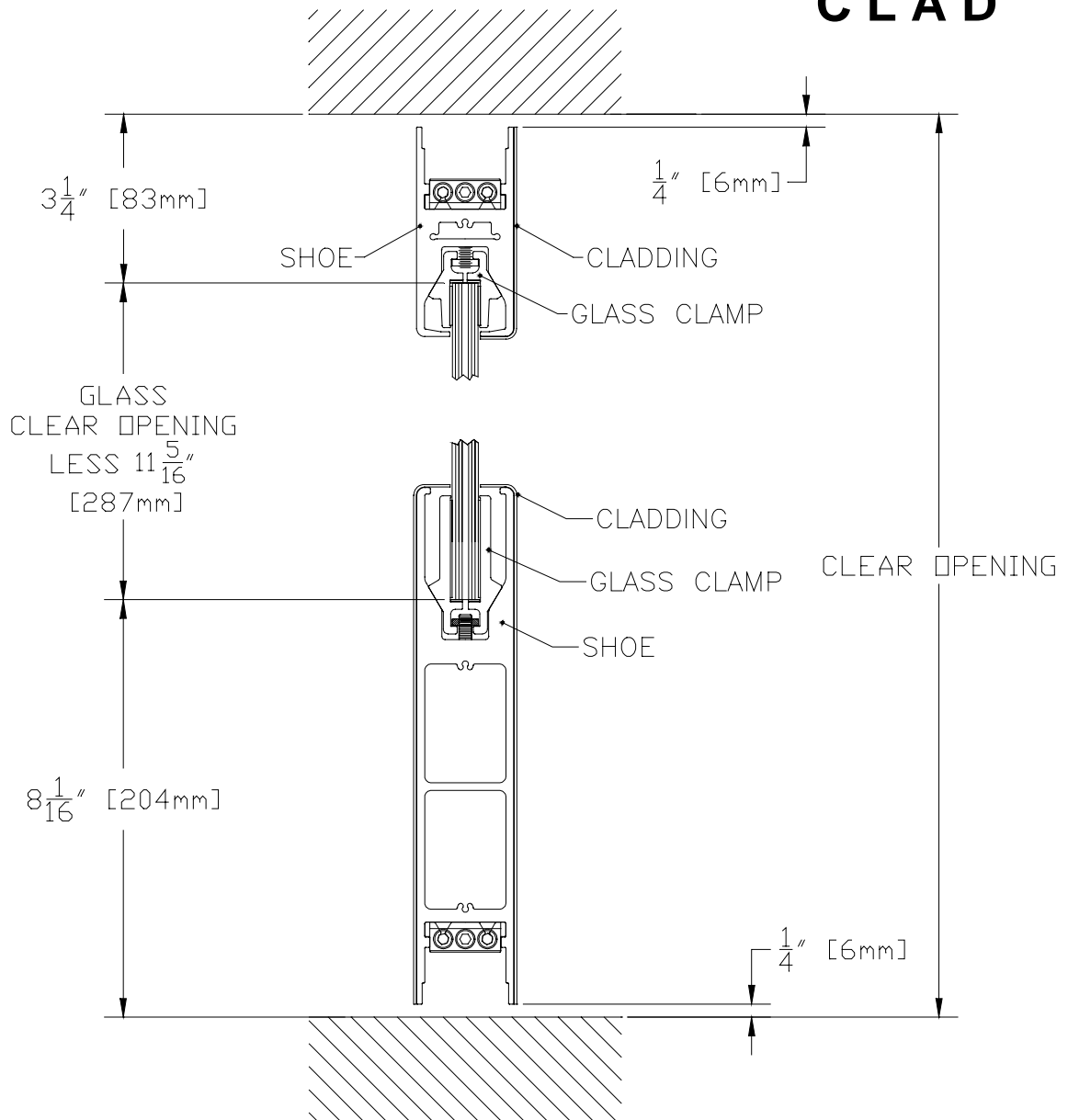


NOTES:

1. DIMENSIONS ARE THE SAME FOR CLAD AND NON-CLAD RAILS
2. IF 1/2" [13mm] THRESHOLD IS USED, THE DIMENSION FROM FLOOR TO GLASS INCREASES BY 1/2" [13mm] I.E. GLASS IS CLEAR OPENING LESS 11-13/16" [300mm]



CLAD



4" SQUARE DOOR RAIL TOP. CLAD OR NON CLAD
 10" SQUARE DOOR RAIL BOTTOM. CLAD ONLY

CRL DOOR RAIL SYSTEM

C.R. Laurence Architectural Products

Phone Orders (800) 421-6144

Fax Orders (800) 262-3299

WWW.CRLAURENCE.COM

Patent Pending

STYLE 06