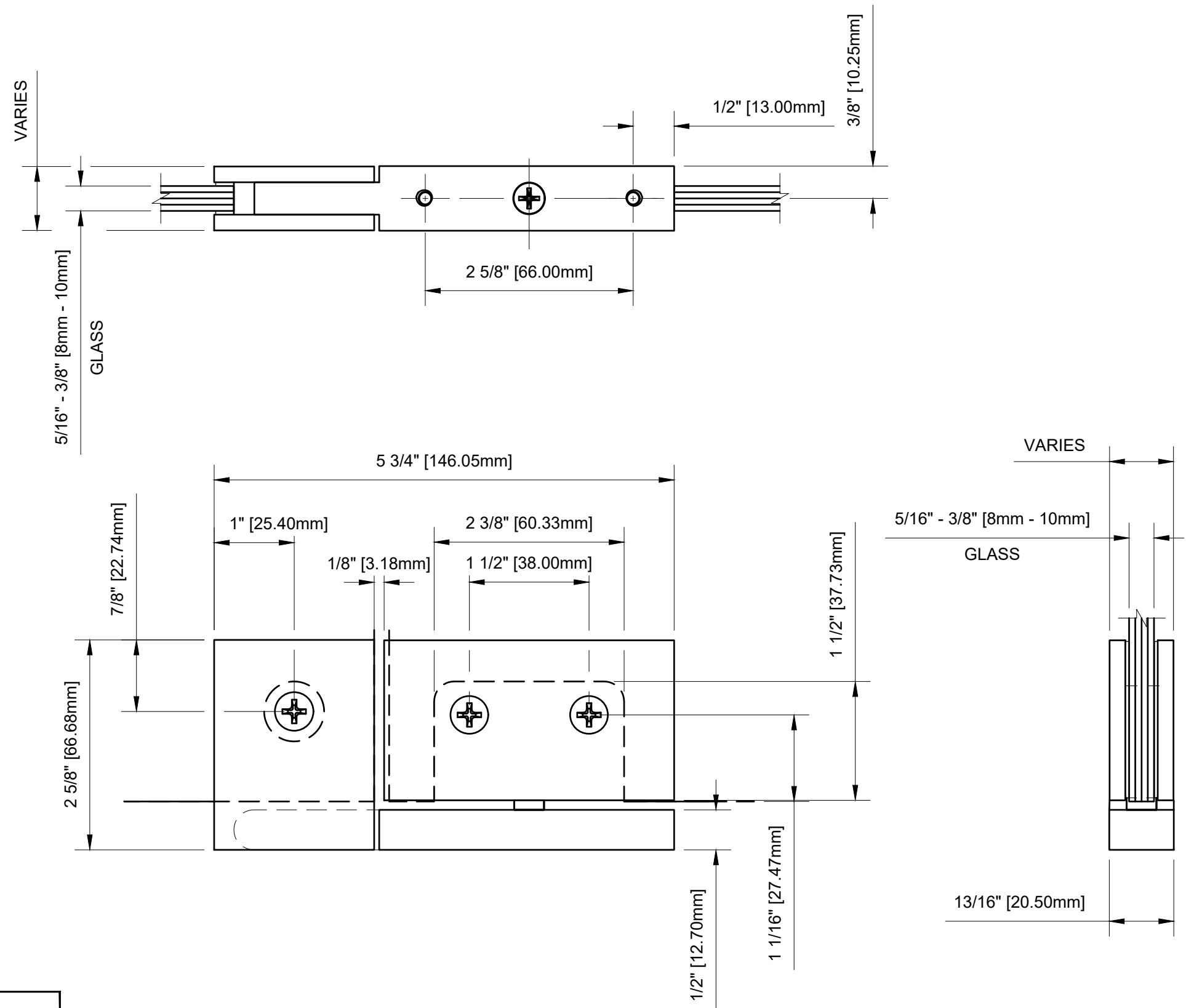


USE OF GASKETS  
 FOR 5/16" (8mm) GLASS: USE ONE THICK GASKET & ONE THIN GASKET ON EACH SIDE  
 FOR 3/8" (10mm) GLASS: USE ONE THICK GASKET ON EACH SIDE



| CATALOG NUMBER | FINISH            |
|----------------|-------------------|
| CAR07CH        | CHROME            |
| CAR07BR        | BRASS             |
| CAR070RB       | OIL RUBBED BRONZE |
| CAR07BN        | BRUSHED NICKEL    |
| CAR07PN        | POLISHED NICKEL   |
| CAR07SC        | SATIN CHROME      |
| CAR07SN        | SATIN NICKEL      |

CAR07XX - CRL CARDIFF SERIES TOP OR BOTTOM MOUNT PIVOT HINGE

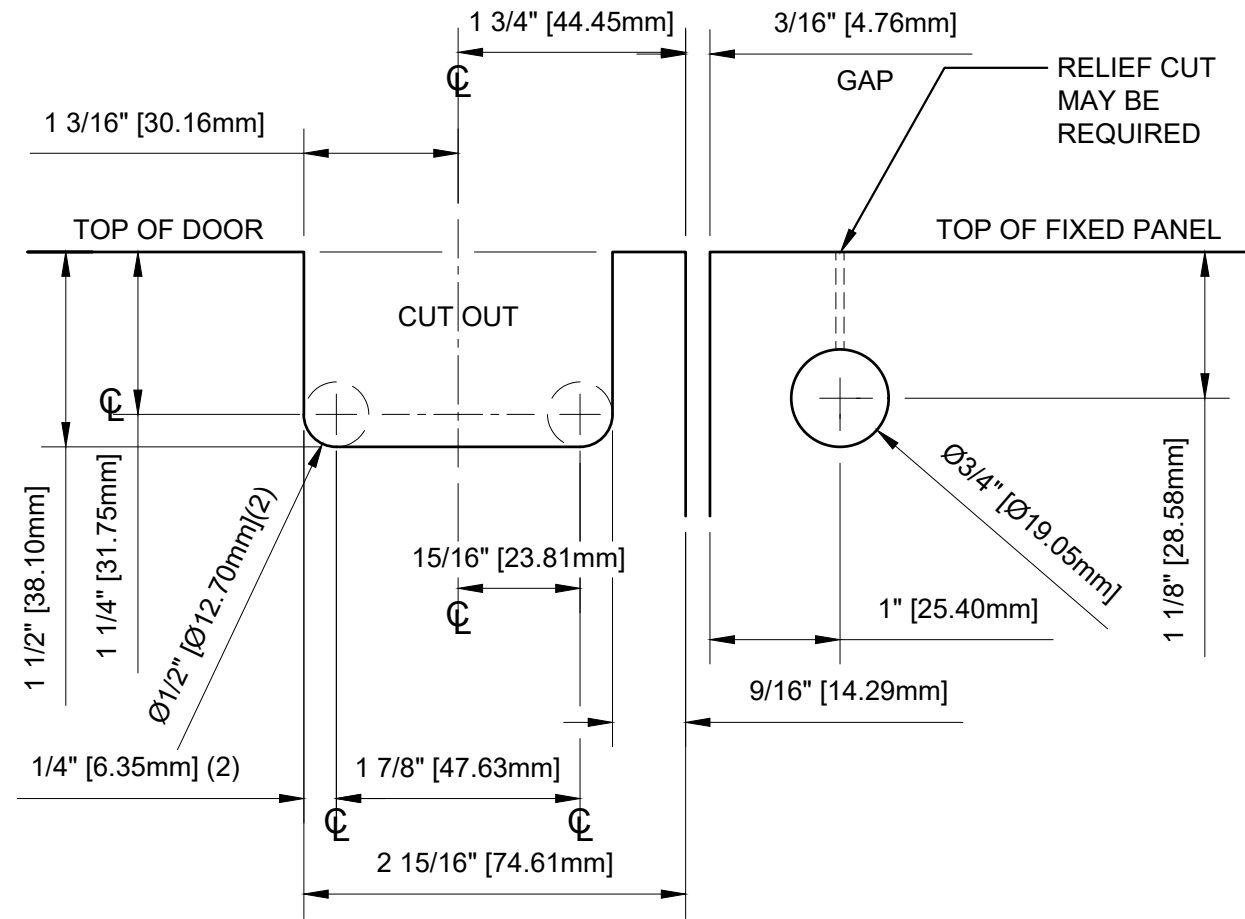
DATE: 1/7/19  
 SCALE: 6"=1'-0"  
 DRAWN BY: VM

DESCRIPTION: CRL CAR07  
 CTS  
 CARDIFF SERIES  
 TOP OR BOTTOM MOUNT PIVOT HINGE

C.R. LAURENCE CO. ARCHITECTURAL PRODUCTS  
 2503 E. Vernon Avenue, Los Angeles, C.A 90058-1897  
 PH (800)-421-6144 FX: 800-587-7501 www.crlaurence.com



USE OF GASKETS  
 FOR 5/16" (8mm) GLASS: USE ONE THICK GASKET & ONE THIN GASKET ON EACH SIDE  
 FOR 3/8" (10mm) GLASS: USE ONE THICK GASKET ON EACH SIDE



EDGE MOUNT PREFERRED METHOD

CAR07XX - CRL CARDIFF GLASS TEMPLATE

| CATALOG NUMBER | FINISH            |
|----------------|-------------------|
| CAR07CH        | CHROME            |
| CAR07BR        | BRASS             |
| CAR070RB       | OIL RUBBED BRONZE |
| CAR07BN        | BRUSHED NICKEL    |
| CAR07PN        | POLISHED NICKEL   |
| CAR07SC        | SATIN CHROME      |
| CAR07SN        | SATIN NICKEL      |

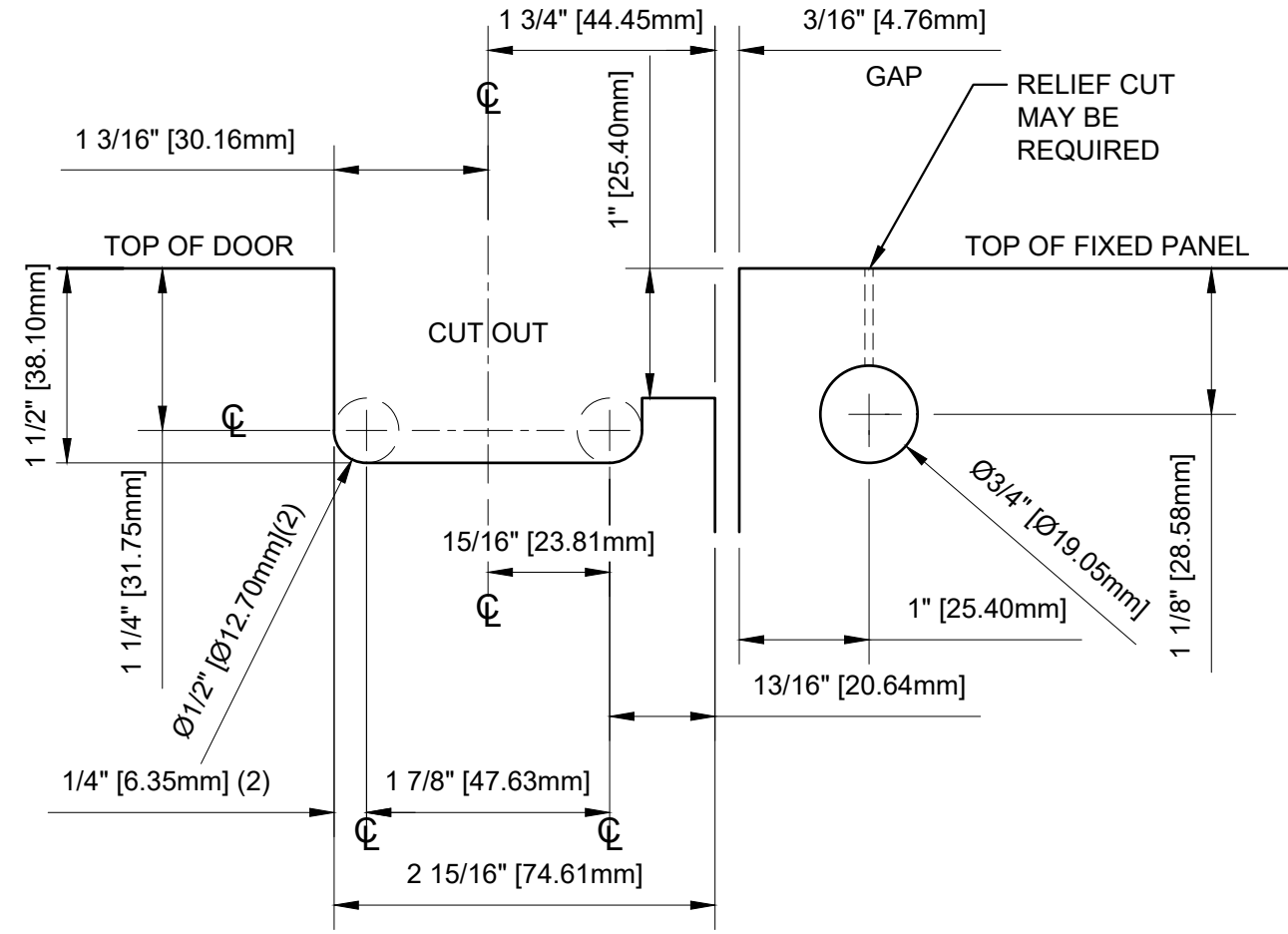
DATE: 1/7/19  
 SCALE: 6"=1'-0"  
 DRAWN BY: VM

DESCRIPTION: CRL CAR07 —  
 CTS  
 CARDIFF SERIES  
 TOP OR BOTTOM MOUNT PIVOT HINGE  
 www.crlaurence.com

C.R. LAURENCE CO. ARCHITECTURAL PRODUCTS  
 2503 E. Vernon Avenue, Los Angeles, C.A 90058-1897  
 PH (800)-421-6144 FX: 800-587-7501 www.crlaurence.com



USE OF GASKETS  
 FOR 5/16" (8mm) GLASS: USE ONE THICK GASKET & ONE THIN GASKET ON EACH SIDE  
 FOR 3/8" (10mm) GLASS: USE ONE THICK GASKET ON EACH SIDE



EDGE MOUNT ALTERNATE METHOD

CAR07XX - CRL CARDIFF GLASS TEMPLATE

| CATALOG NUMBER | FINISH            |
|----------------|-------------------|
| CAR07CH        | CHROME            |
| CAR07BR        | BRASS             |
| CAR070RB       | OIL RUBBED BRONZE |
| CAR07BN        | BRUSHED NICKEL    |
| CAR07PN        | POLISHED NICKEL   |
| CAR07SC        | SATIN CHROME      |
| CAR07SN        | SATIN NICKEL      |

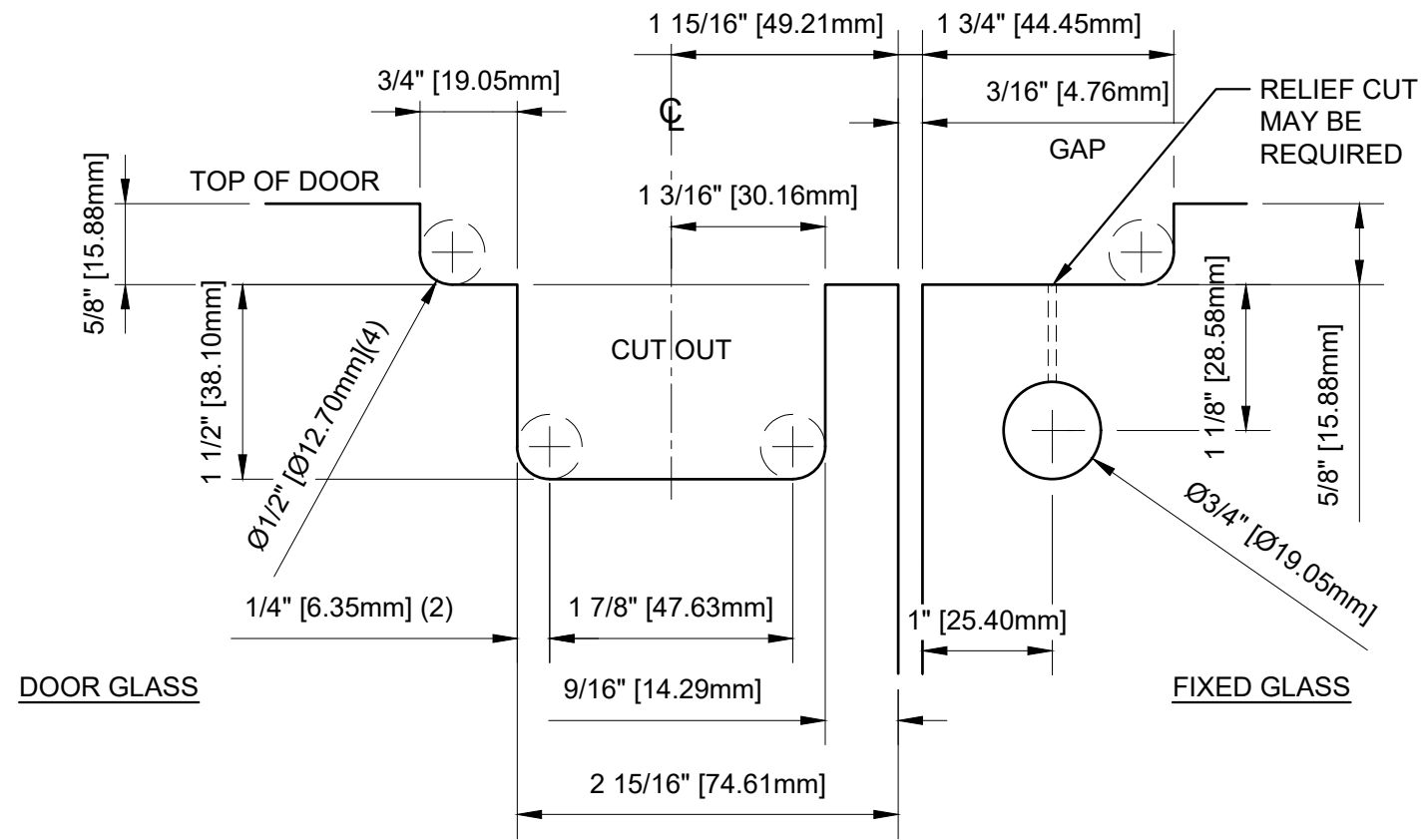
DATE: 1/7/19  
 SCALE: 6"=1'-0"  
 DRAWN BY: VM

DESCRIPTION: CRL CAR07  
 CTS  
 CARDIFF SERIES  
 TOP OR BOTTOM MOUNT PIVOT HINGE

C.R. LAURENCE CO. ARCHITECTURAL PRODUCTS  
 2503 E. Vernon Avenue, Los Angeles, C.A 90058-1897  
 PH (800)-421-6144 FX: 800-587-7501 www.crlaurence.com



USE OF GASKETS  
 FOR 5/16" (8mm) GLASS: USE ONE THICK GASKET & ONE THIN GASKET ON EACH SIDE  
 FOR 3/8" (10mm) GLASS: USE ONE THICK GASKET ON EACH SIDE



TOP FLUSH MOUNT METHOD

CAR07XX - CRL CARDIFF GLASS TEMPLATE

| CATALOG NUMBER | FINISH            |
|----------------|-------------------|
| CAR07CH        | CHROME            |
| CAR07BR        | BRASS             |
| CAR07ORB       | OIL RUBBED BRONZE |
| CAR07BN        | BRUSHED NICKEL    |
| CAR07PN        | POLISHED NICKEL   |
| CAR07SC        | SATIN CHROME      |
| CAR07SN        | SATIN NICKEL      |

DATE: 1/7/19  
 SCALE: 6"=1'-0"  
 DRAWN BY: VM

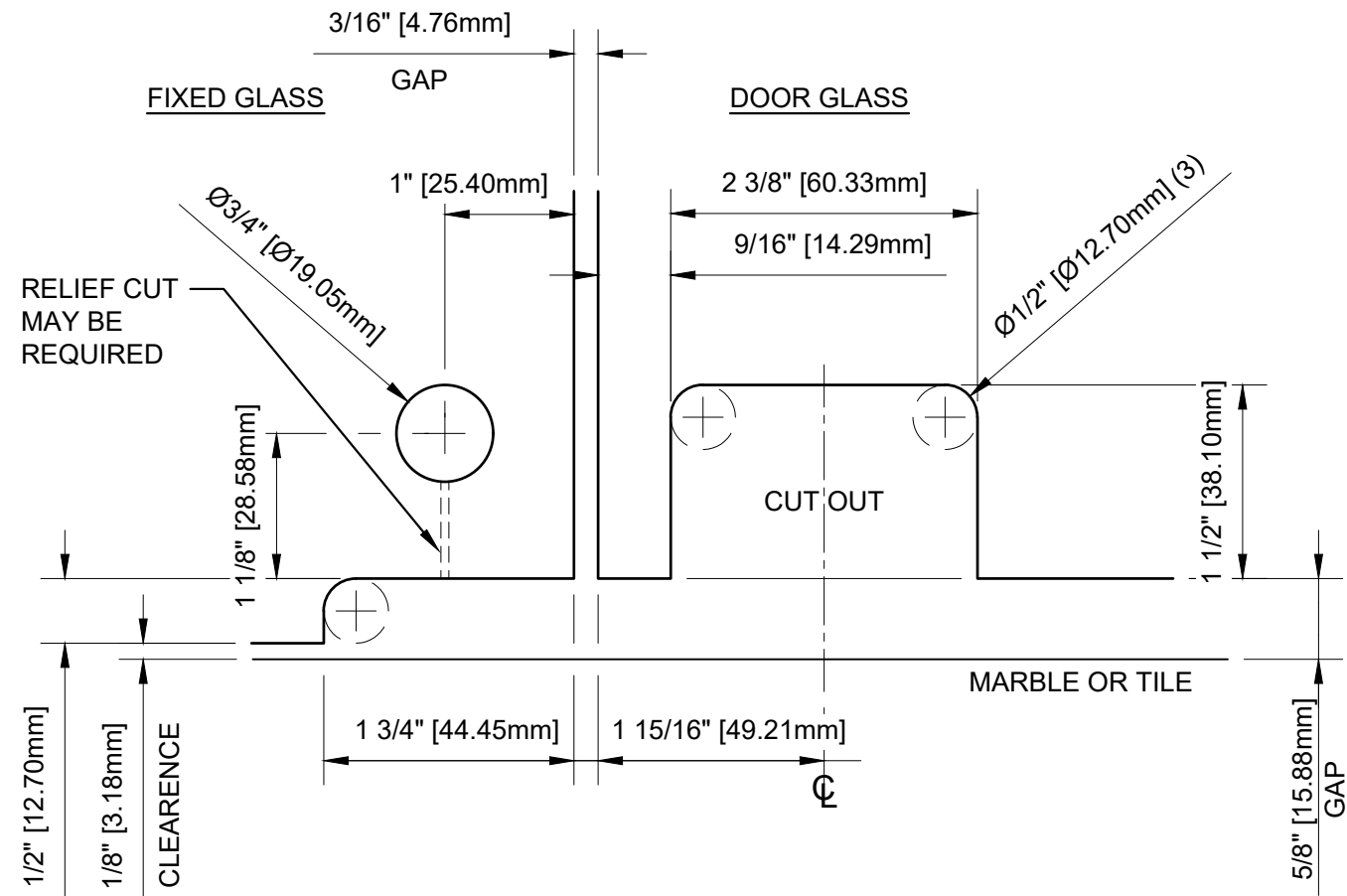
DESCRIPTION: CRL CAR07 —  
 CTS  
 CARDIFF SERIES  
 TOP OR BOTTOM MOUNT PIVOT HINGE  
 www.crlaurence.com

C.R. LAURENCE CO. ARCHITECTURAL PRODUCTS  
 2503 E. Vernon Avenue, Los Angeles, C.A 90058-1897  
 PH (800)-421-6144 FX: 800-587-7501 www.crlaurence.com



USE OF GASKETS

FOR 5/16" (8mm) GLASS: USE ONE THICK GASKET & ONE THIN GASKET ON EACH SIDE  
 FOR 3/8" (10mm) GLASS: USE ONE THICK GASKET ON EACH SIDE



BOTTOM MOUNT METHOD

CAR07XX - CRL CARDIFF GLASS TEMPLATE

| CATALOG NUMBER | FINISH            |
|----------------|-------------------|
| CAR07CH        | CHROME            |
| CAR07BR        | BRASS             |
| CAR07ORB       | OIL RUBBED BRONZE |
| CAR07BN        | BRUSHED NICKEL    |
| CAR07PN        | POLISHED NICKEL   |
| CAR07SC        | SATIN CHROME      |
| CAR07SN        | SATIN NICKEL      |

DATE: 1/7/19

SCALE: 6"=1'-0"

DRAWN BY: VM

DESCRIPTION: CRL CAR07  
 CTS  
 CARDIFF SERIES  
 TOP OR BOTTOM MOUNT PIVOT HINGE

C.R. LAURENCE CO. ARCHITECTURAL PRODUCTS  
 2503 E. Vernon Avenue, Los Angeles, CA 90058-1897  
 PH (800)-421-6144 FX: 800-587-7501 www.crlaurence.com

