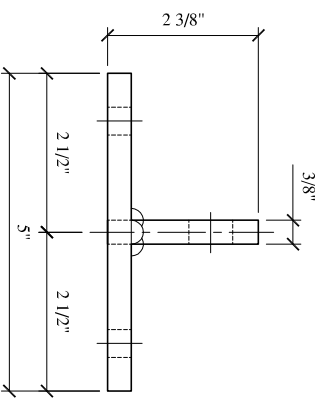


1 AW9SQM16BS  
Scale: 1:2



CUSTOMER SIGNATURE: X

DATE:

REVISIONS

Part No:

No. AW9SQM16BS



2503 E. Vernon Avenue, Los Angeles, CA 90058  
Phone: 800-421-4644 Fax: 800-262-3299  
www.crlaurence.com

DATE: 06-24-08  
DRAWN BY: JRM  
CHECKED BY: AR  
SCALE: 1:2  
JOB #:

SHT 1 OF 1