

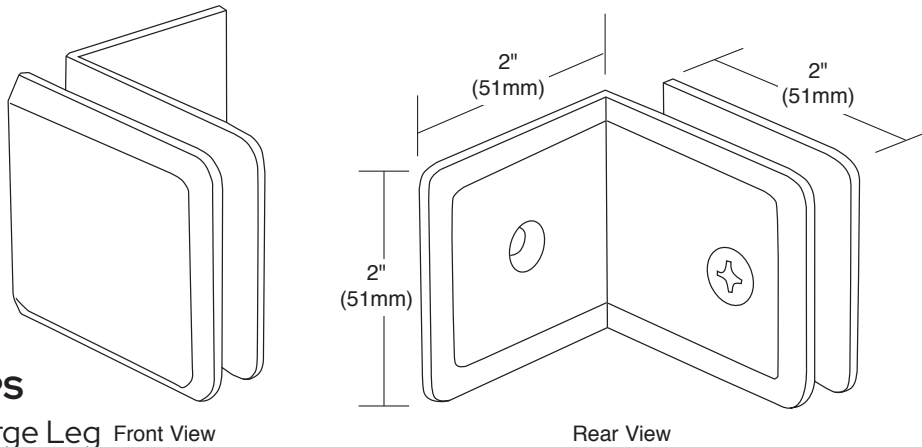
## GLASS CLAMPS

Square with Large Leg  
CAT. NO. SGC039

### Specifications:

Material:	Solid Brass
Glass Thickness:	3/8" (10mm) to 1/2" (12mm)
Hole Size Required:	5/8" (16mm) or 3/4" (19mm)
Includes:	Mounting screws and gaskets

Template Shown on Next Page



## GLASS CLAMPS

Beveled with Large Leg  
CAT. NO. BGC039

### Specifications:

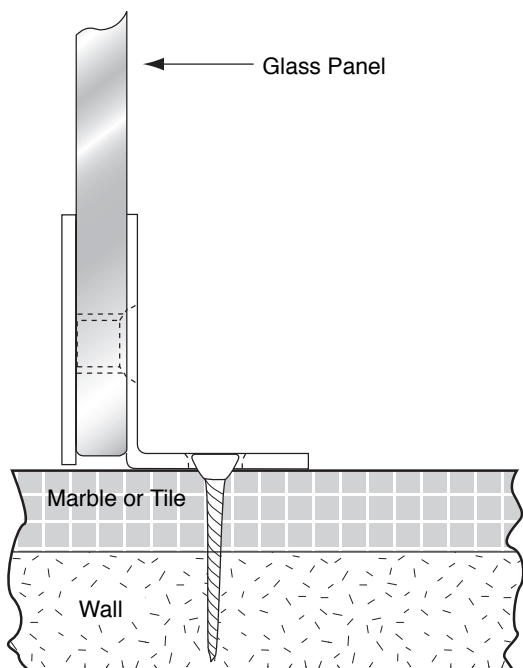
Material:	Solid Brass
Glass Thickness:	3/8" (10mm) to 1/2" (12mm)
Hole Size Required:	5/8" (16mm) or 3/4" (19mm)
Includes:	Mounting screws and gaskets

Template Shown on Next Page

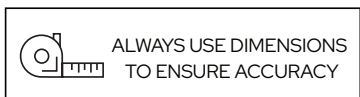
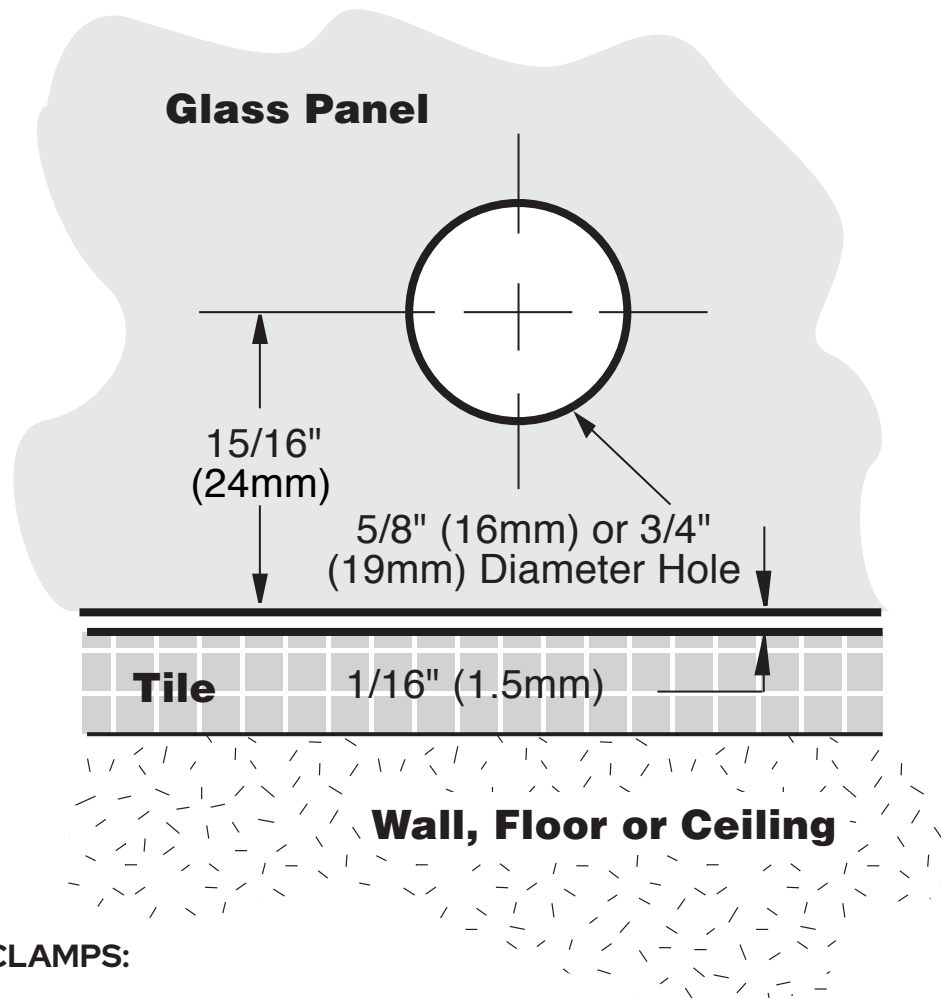
**\*NOTE:** Do not exceed either maximum weight or width when choosing proper quantity of hinges.

**IMPORTANT:** Project measurements from the edge of the glass.

## TYPICAL INSTALLATION



## TEMPLATE



## GLASS CLAMPS

**THE TEMPLATE ON THIS PAGE APPLIES TO THE FOLLOWING CLAMPS:**

Square with Large Leg | Beveled with Large Leg

CAT. NO. SGC039 | CAT. NO. BGC039