

Quote/Order Request Form

Date _____

Name _____

Company _____

Email _____

Account Number _____

Phone Number _____

Job Name _____

MODEL / RATING

- Light Interlock (Interior Use)
- Heavy Interlock (CW40 Rating) Exterior Use

GLAZING

- By Others
- By C.R. Laurence Co., Inc. Specify (Color/Type) _____

STANDARD HARDWARE FINISH

- Brushed Stainless Steel
- White Painted
- Black Painted

FINISHES

Available color/finish options:

- WH - White Powder Paint Traffic White RAL9016
- BL - Glossy Black Powder Paint Jet Black RAL9005
- MBL - Matte Black Lava PU19115
- DU - Black Bronze Anodized - Class 1
- SA - Satin Anodized - Class 1
- PT - Custom Powder Paint

NOTE: Kynar not available for P100S Model

LEAD STILE

- Single Handle Lead Stile
- Double Handle Lead Stile (BTB)

DOUBLE LEAD STILE IS STANDARD

SILL TYPE

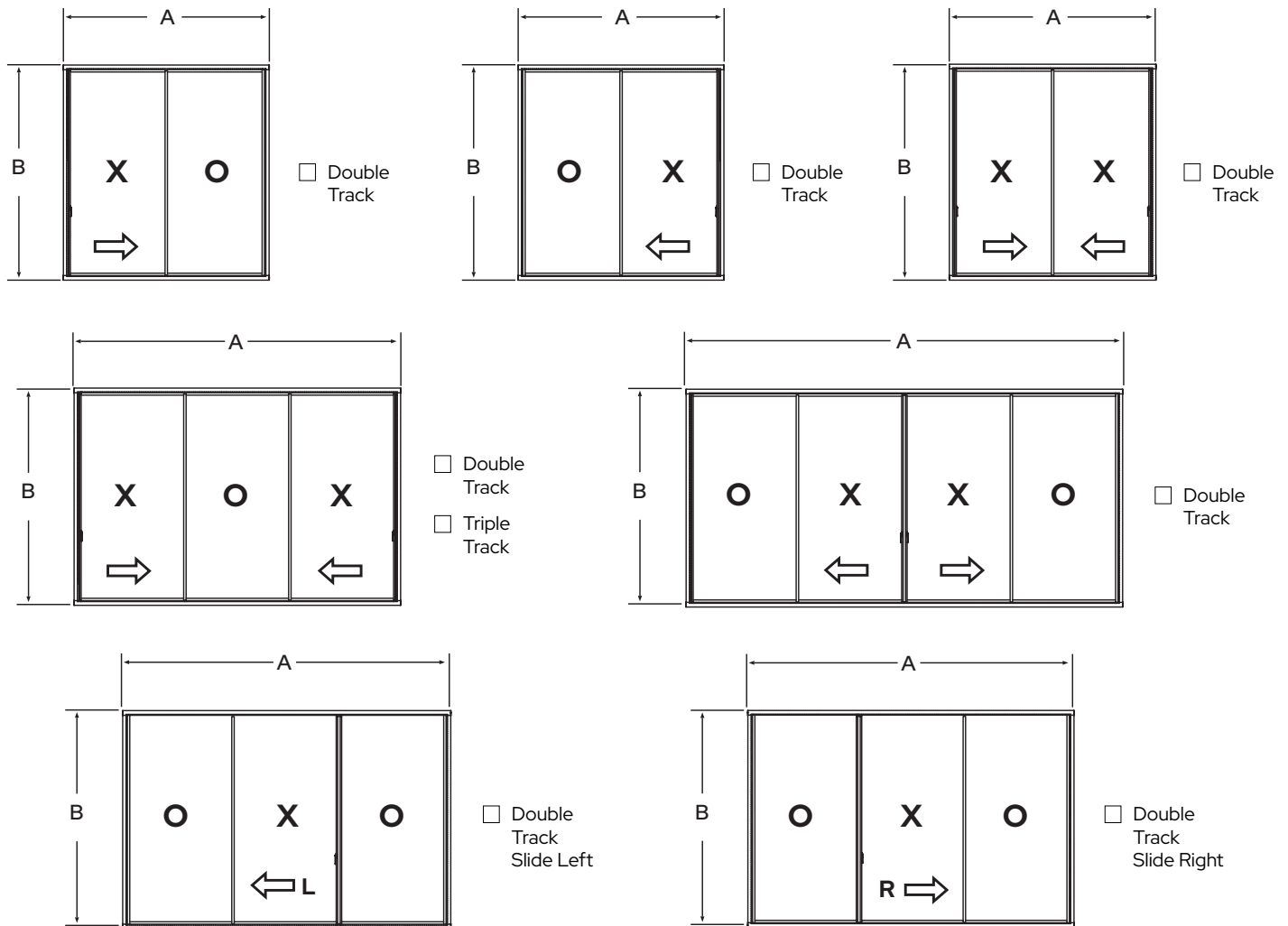
- Raised Track
 - Flush Track**
- **Trench Drain (by others) recommended for Exterior Application

AUTOMATION (BY OTHERS)

- Yes (NOTEAP100S)
- No

LOCKING

- 2 Point Surface Catch
- 2 Point Recessed Catch



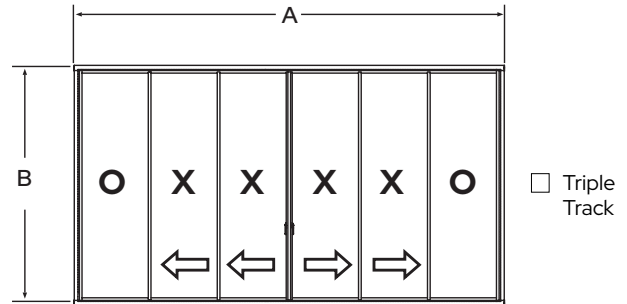
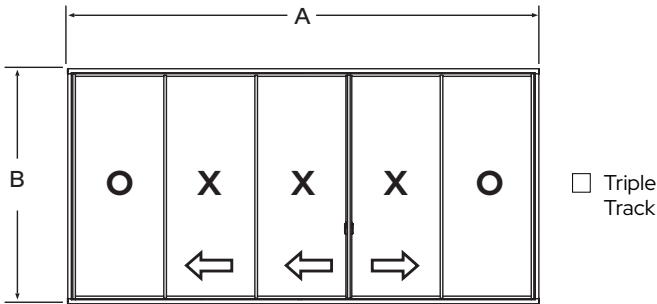
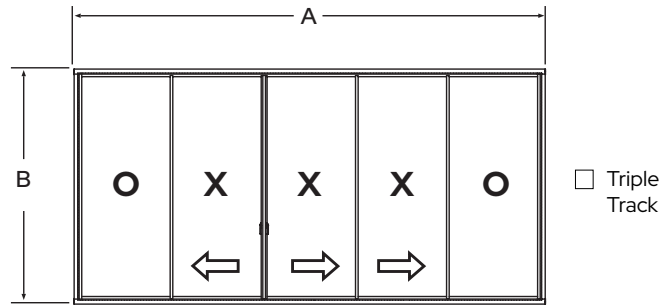
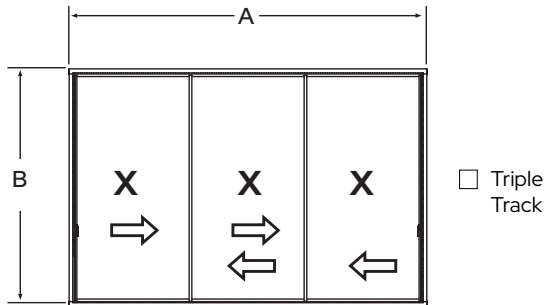
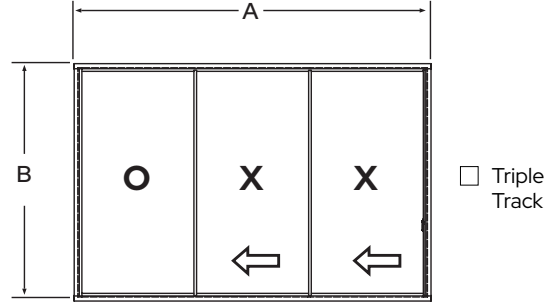
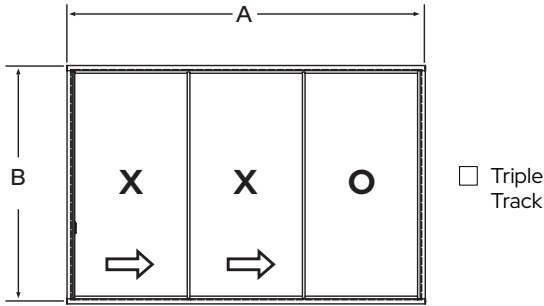
RESET BUTTON

Please submit to: entrance.partitions@crlaurence.com



Quote/Order Request Form

Date _____



NOTE: System views are from interior looking out

MARK	QTY	DIM A (WIDTH)	DIM B (HEIGHT)

FOR OFFICE USE ONLY

Taken by: _____
 Priced by: _____
 Edited by: _____

Approved by _____

RESET BUTTON

Please submit to:
entrance.partitions@crlaurence.com



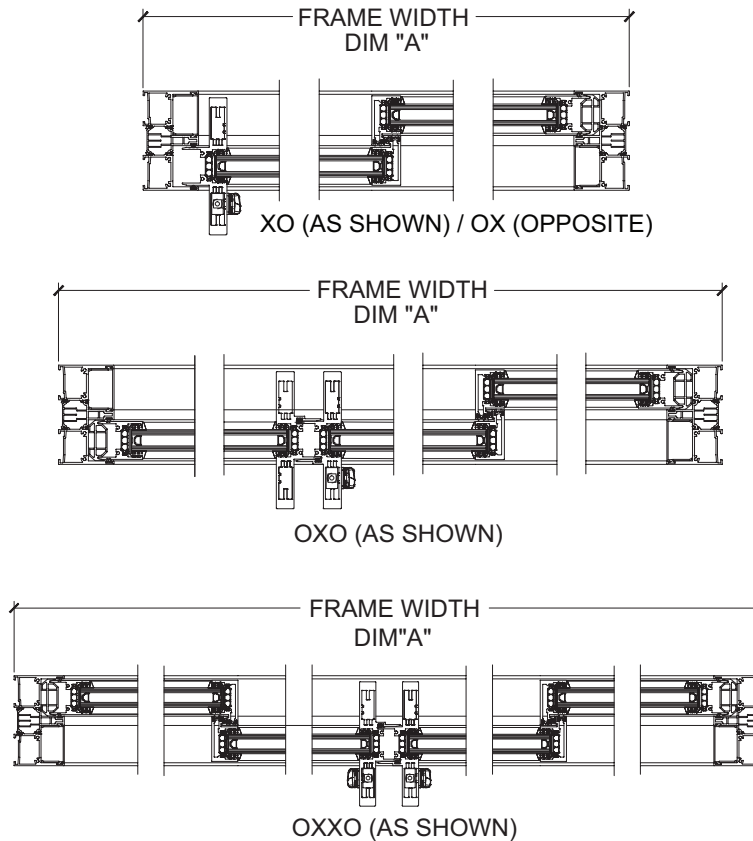
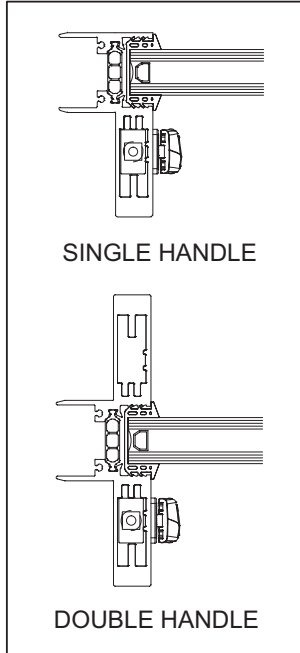
Quote/Order Request Form

Date _____

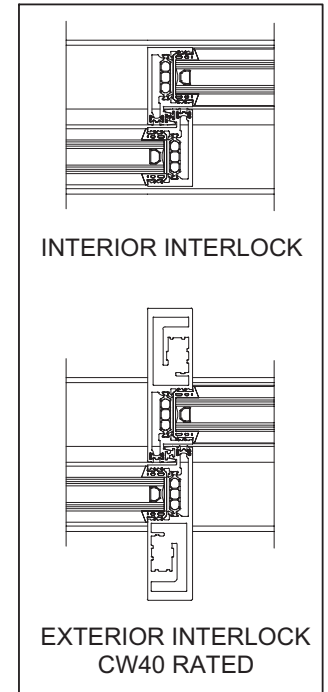
Section Details

Net Frame Width

LEAD STILE OPTIONS



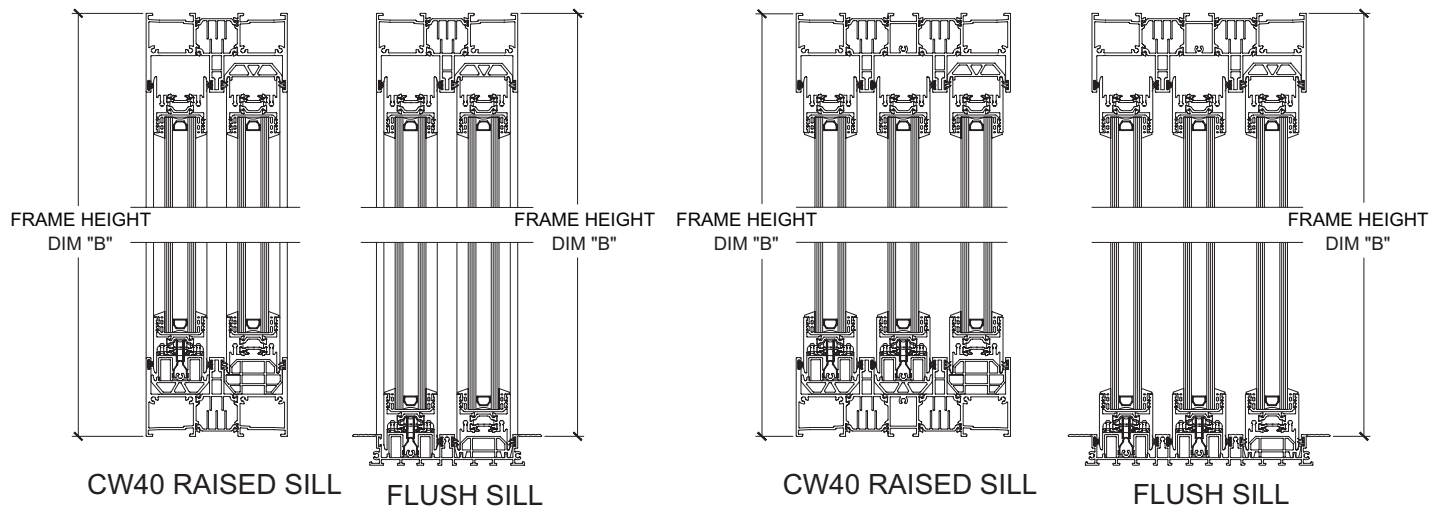
INTERLOCK OPTIONS



Net Frame Height

DOUBLE TRACK

TRIPLE TRACK



RESET BUTTON

Please submit to:
entrance.partitions@crlaurence.com

