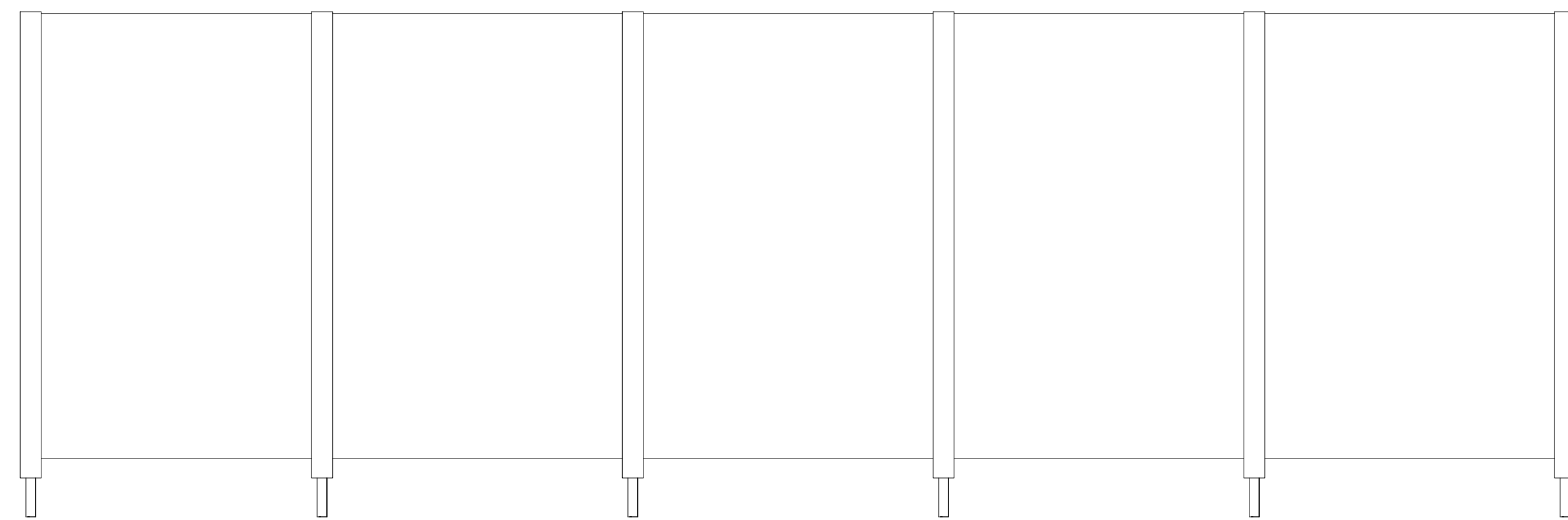
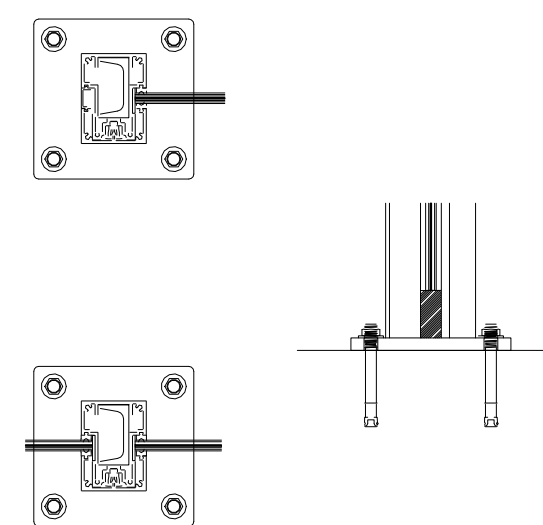


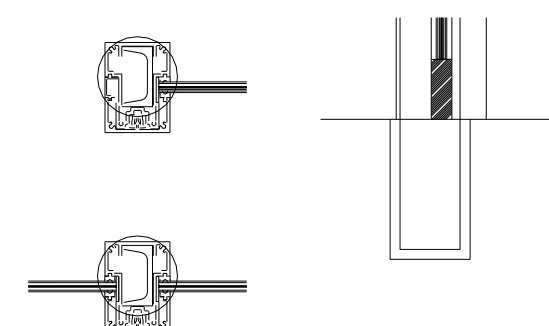
① Surface Mount Elevation
3/4" = 1'-0"



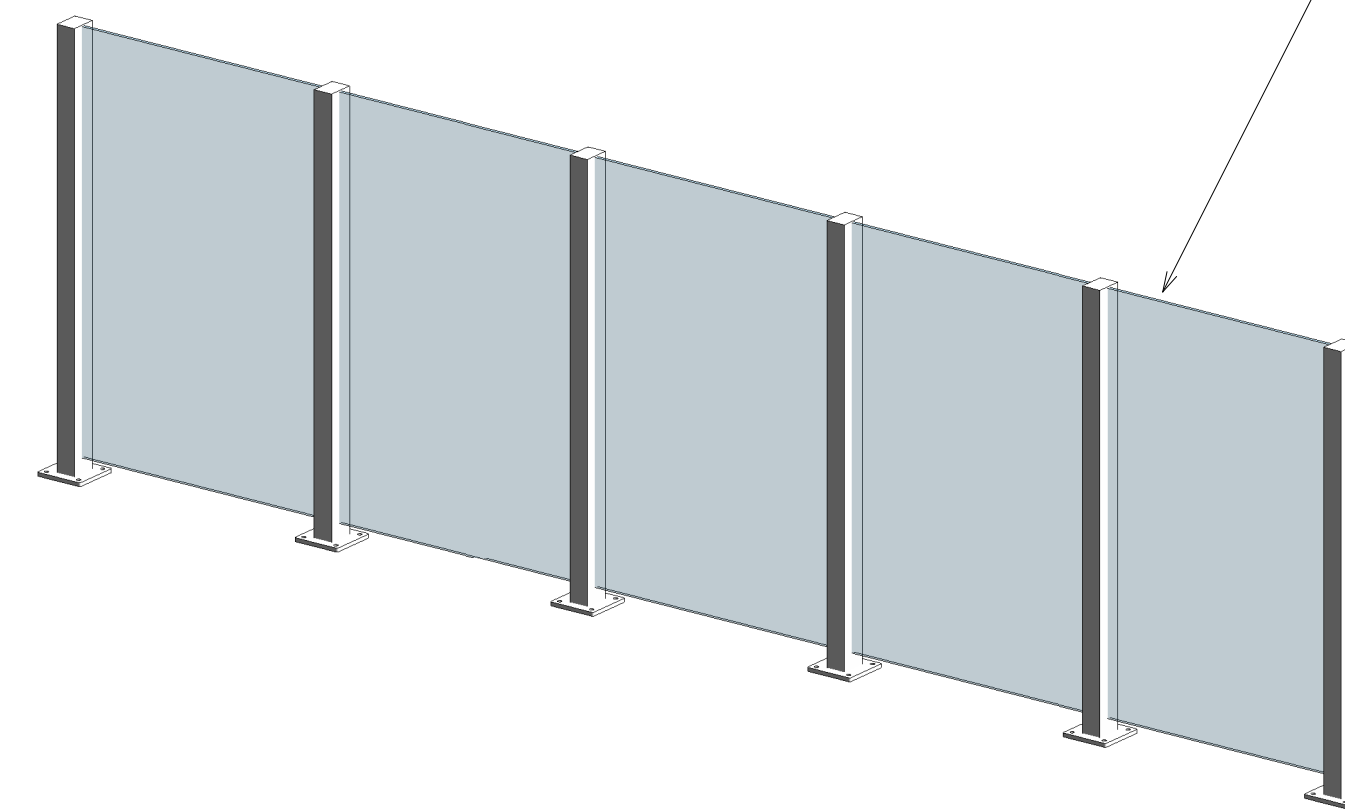
② Core Mount Elevation
3/4" = 1'-0"



⑤ surface mount details
1 1/2" = 1'-0"

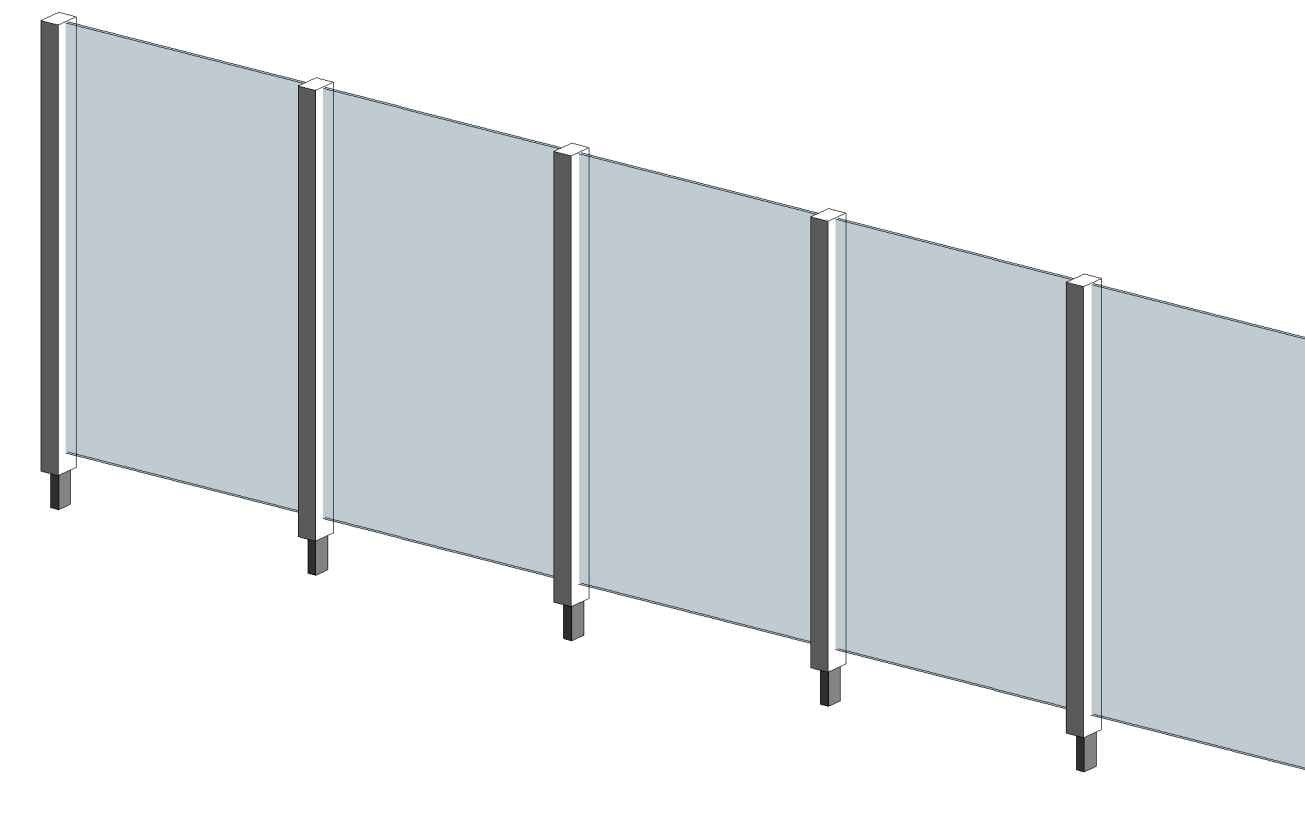


⑥ Core Mount Details
1 1/2" = 1'-0"

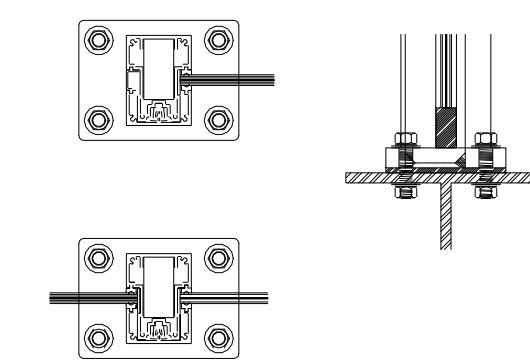


NOTE:
When drawing a new windscreen from the curtain wall command you will need to unpin the end panel and select the end condition from the properties panel. Do this as your last step.
If you need to resize the windscreen re-pin the last panel before resizing and then unpin again.

③ 3D-Core Mount Copy 1



④ 3D-Core Mount



⑦ Surface Mount Steel Details (not modeled)
1 1/2" = 1'-0"

Revisions By:

CRL[®]

available in:
72", 84", & 96" tall
standard colors:
black, silver, white

Description
SYS0129A Cielo
Windscreen

Drawn by:

Date:

Scale:

File name:

Sheet