

## Important Information:

The CPL205 Door Patch Lock is designed for European profile cylinder applications. The Patch Lock is designed for corner application at the top and/or bottom of the door and jamb mounting. Matches the CPF Patches in size and appearance. Cylinder sets are "bottom load" - access is required underneath the door to adjust or change cylinder set.

## Specifications:

**Glass Sizes:** 3/8" (10 mm) to 1/2" (12 mm) thick tempered safety glass

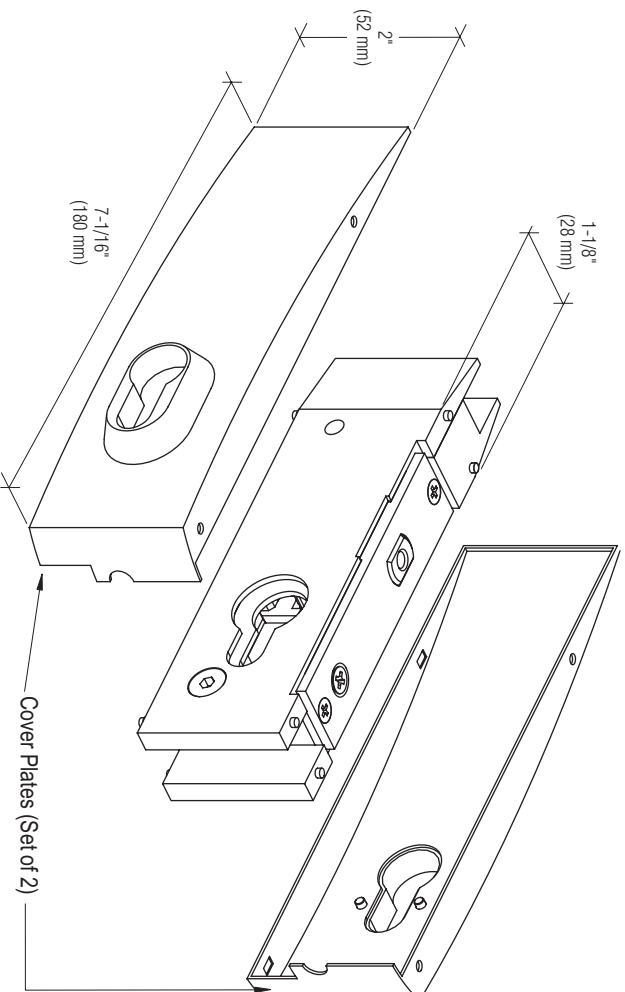
**Construction:** - High density casting - High density casting lock

**Glass Fabrication Required:** Cut-Out and Hole Required - See Reverse

**Includes:** Gaskets, Screws, Template, Keyed Cylinder, and 3 Keys

### Available Finishes:

- Brushed Stainless Steel
- Polished Stainless Steel



## Use of Gaskets:

**For 3/8" (10 mm) Glass:** Use two gaskets on each side

**For 1/2" (12 mm) Glass:** Use one gasket on each side

## Recommendations:

For public safety, we recommend the use of tempered safety glass only.

## SEE TEMPLATE ON BACK

Refer to Dimensions Shown to Ensure Accuracy

# CRL CURVED FACE PLATE BOTTOM PATCH LOCK

FOR CORNER APPLICATIONS

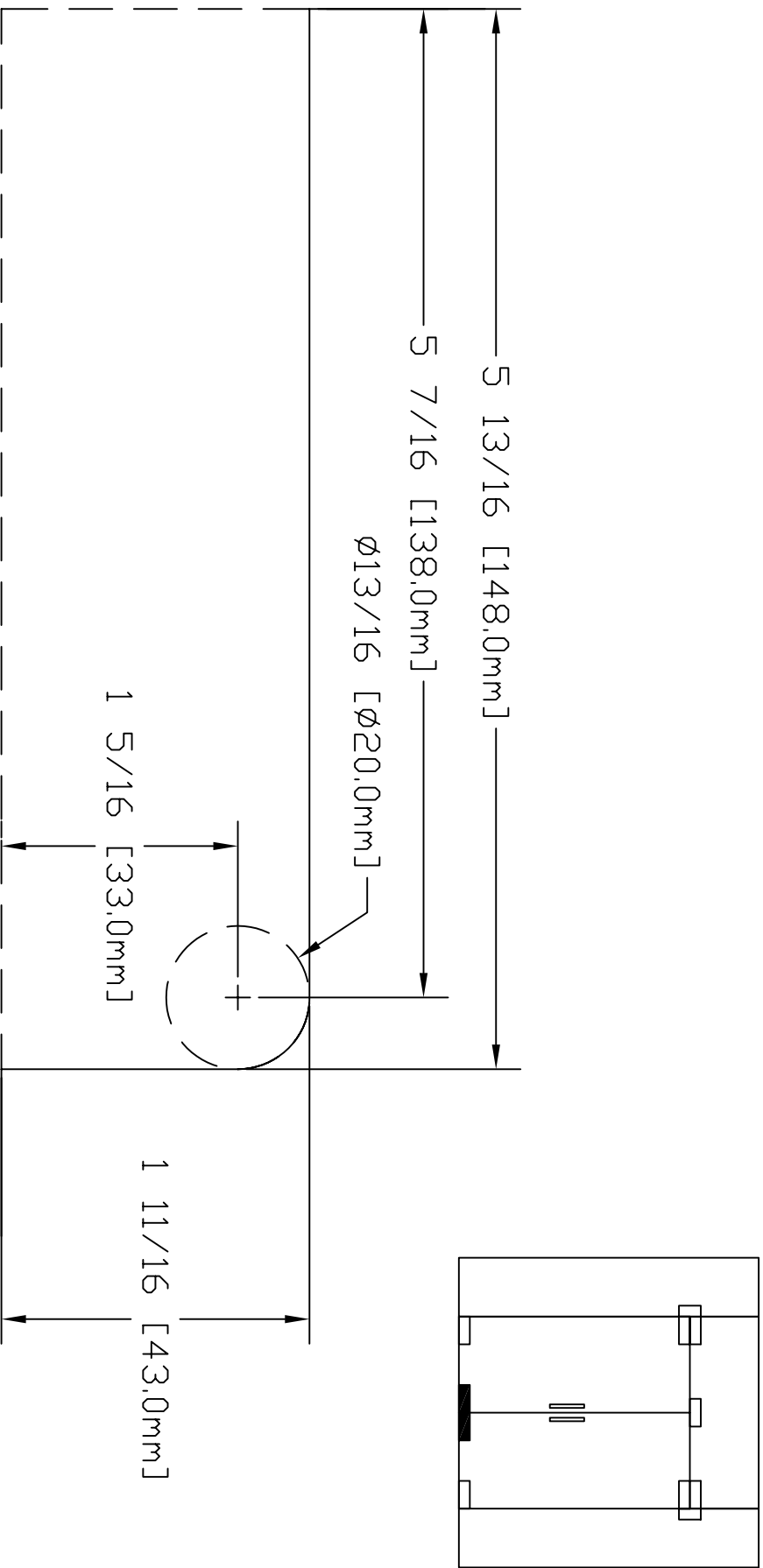
**Cat. No. CPL205**

C.R. Laurence Co., Inc.  
crlaurence.com

For technical assistance in the United States call toll free (800) 421-6144; from Canada call toll free (877) 421-6144;  
Outside the U.S. and Canada call (323) 588-1281. Ask for Tech Sales at Extension 7700. Toll free fax (800) 587-7501.



C.R. LAURENCE CO., INC.  
PROFESSIONAL QUALITY



# CRL CURVED FACE PLATE BOTTOM PATCH LOCK

DOOR CORNER LOCK WITH KEYED CYLINDER AND 3 KEYS

Cat No. CPL205

