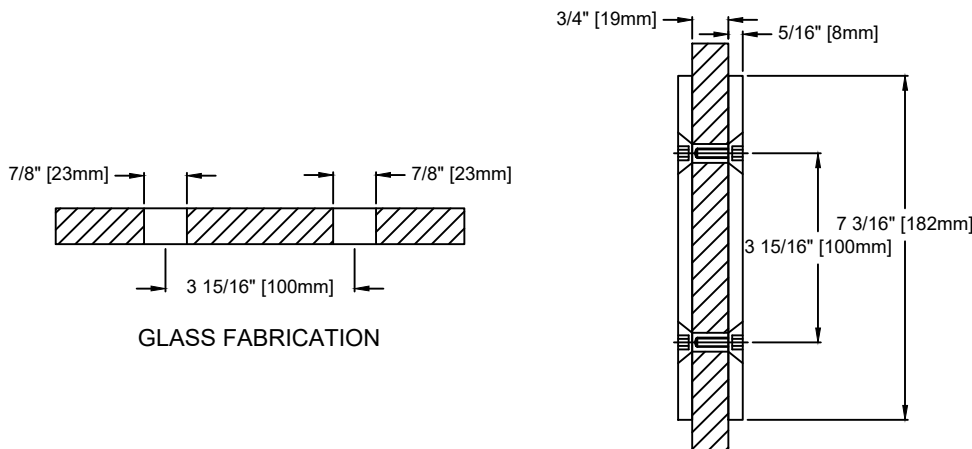
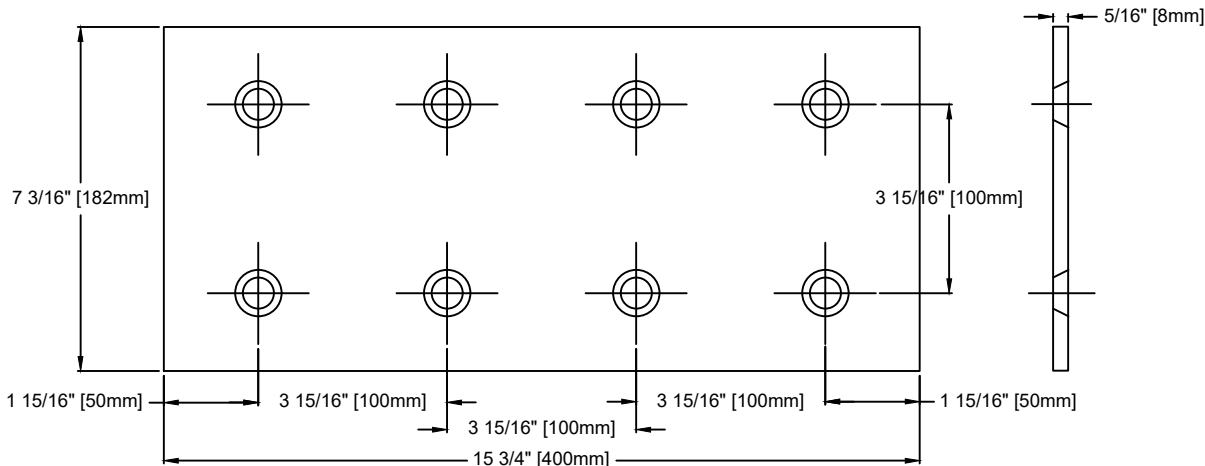


REV	DESCRIPTION	DATE	BY



GLASS FABRICATION



ARCHITECTURAL PRODUCTS
 PH: 800-421-6144 FX: 800-262-3299
 WWW.CRLAURENCE.COM

DESCRIPTION:
 CRL STAINLESS STEEL FIN SPLICE FITTING FOR 3/4" GLASS

CAT. NO: FSF16BS/ FSF16PS DATE: 02-02-04

FILE NAME: SCALE: 3"=1'-0"

DRAWN BY: C.H CHECKED BY: SHT 1 OF 1