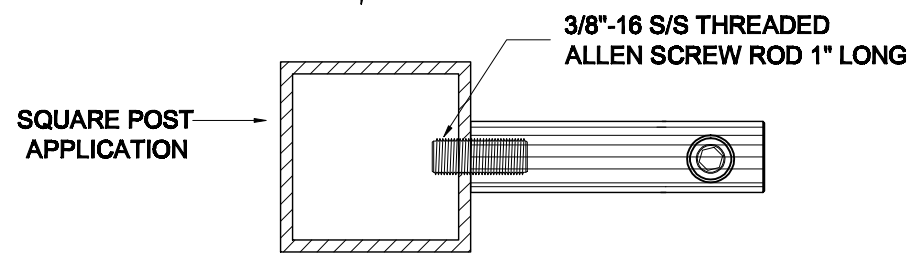
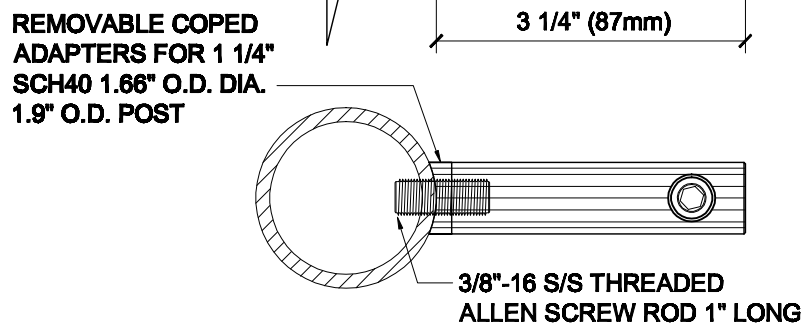
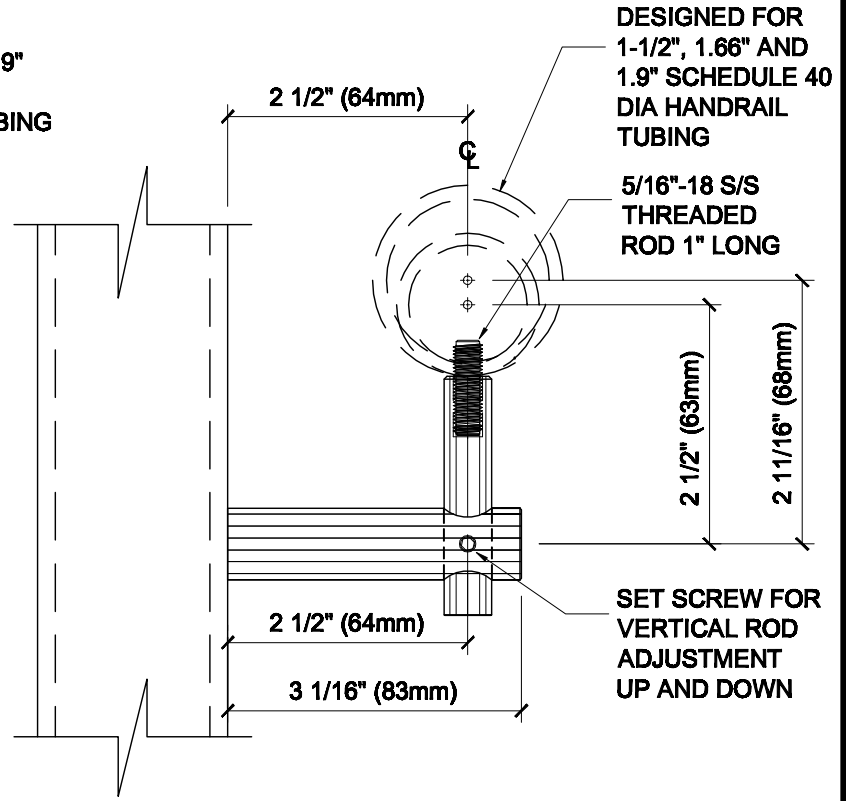
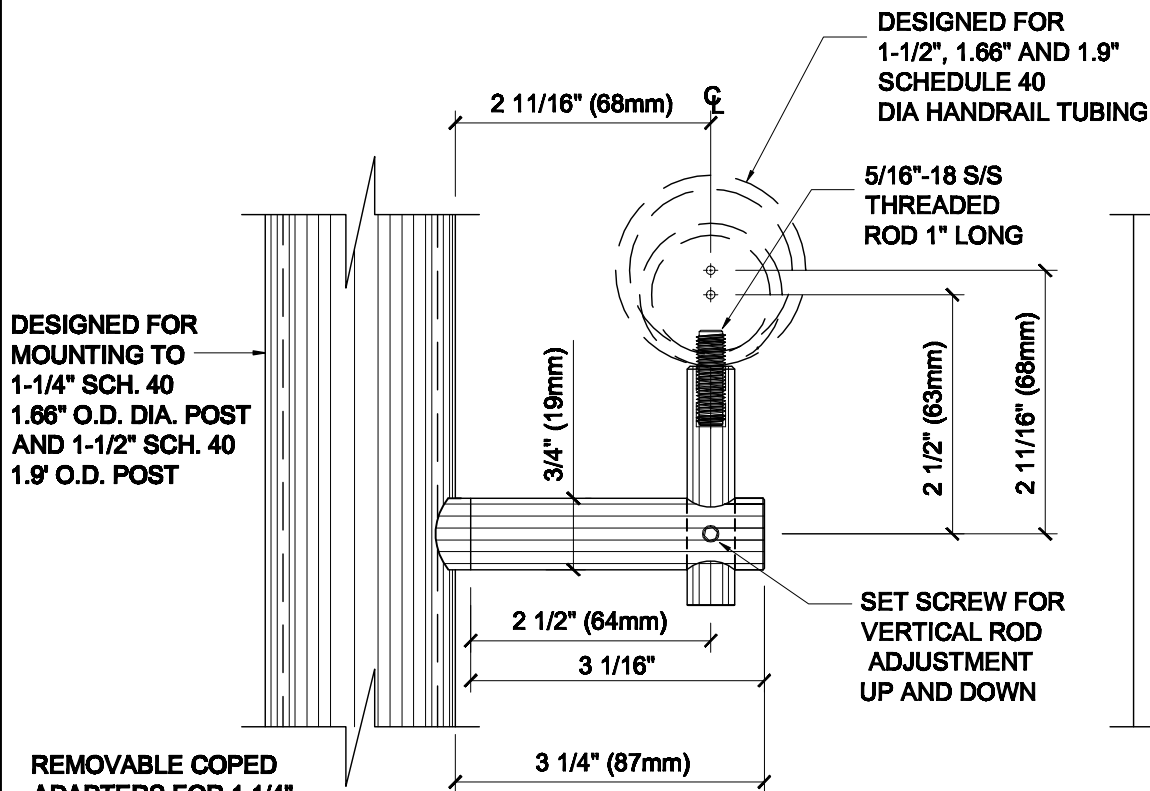


CRL POST MOUNTED HAND RAIL BRACKET FOR ROUND POST AND FLAT POST APPLICATIONS



ROUND POST APPLICATION

SQUARE POST APPLICATION

CATALOG NUMBER	FINISH
HR2FPBS	BRUSHED S/S
HR2FPPS	POLISHED S/S
HR2FPMA	MILL ALUMINUM

**POST MOUNTED BRACKET
ASSEMBLY DETAIL USED FOR**



ARCHITECTURAL PRODUCTS
PH: 800-421-6144 FX: 800-262-3299
WWW.CRLAURENCE.COM

DESCRIPTION: POST MOUNTED BRACKET ASSEMBLY
FOR 1-1/2", 1.66" AND 1.9" SCHEDULE 40 DIA HANDRAIL TUBING

CAT. NO: (SEE CHART)	DATE: 02-04-09
FILE NAME: HR2FP	SCALE: N.T.S.
DRAWN BY: R.A.	CHECKED BY: C.H.
SHT 1 OF 1	