

Revisions By:

**CRL**

2503 E. Vernon Avenue, Los Angeles, CA 90058-1897  
PH: (800)-421-8144 FX: 800-587-7501 www.crlaurence.com

Description:

CRL GABS  
SLOPED GLASS AWNING  
SUPPORT SYSTEM

Drawn By:JO

Date: 02/08/2019

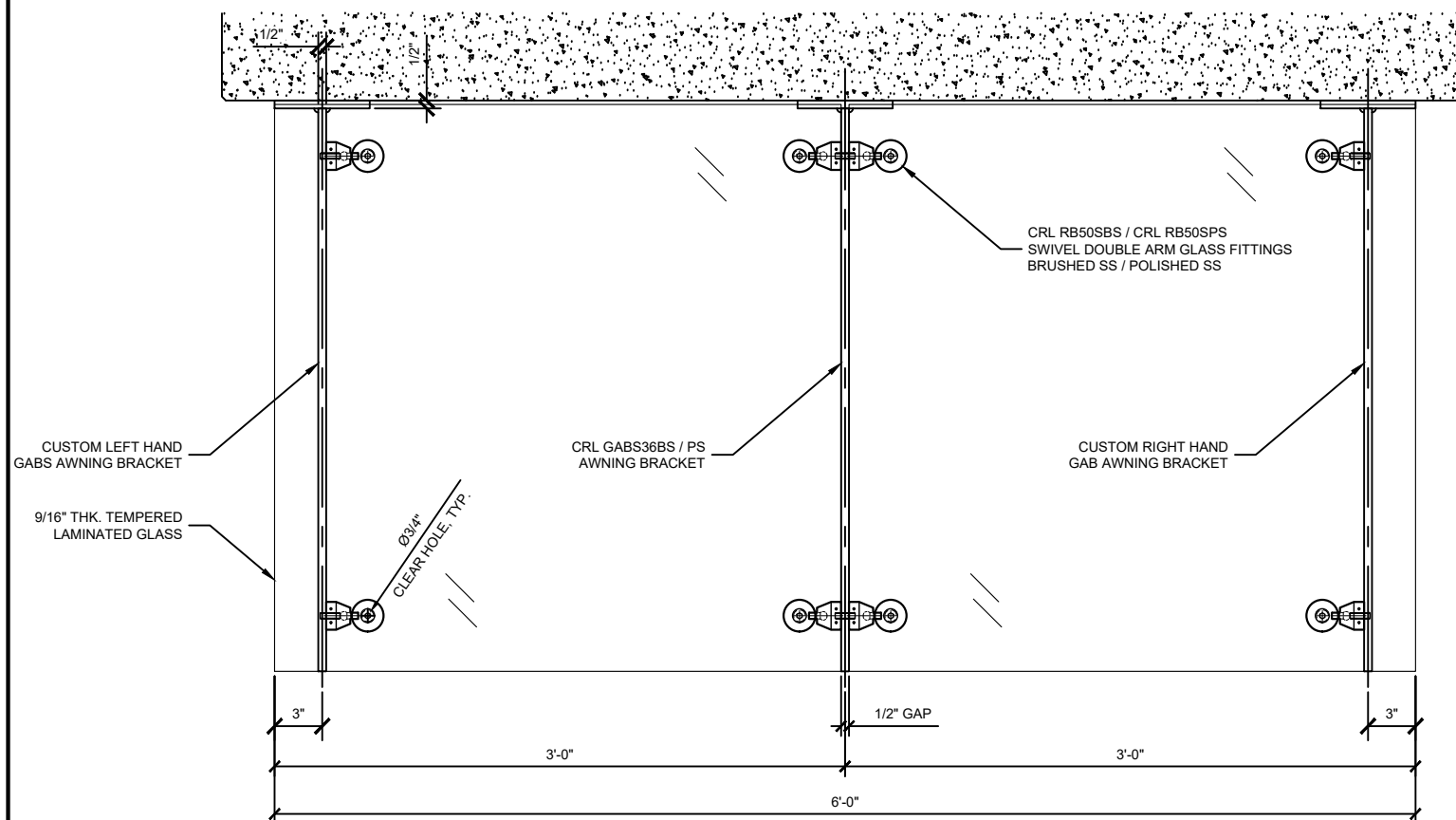
Scale: AS NOTED

File Name:

SYS0101A\_GAB\_WALL\_MNT

Sheet

1

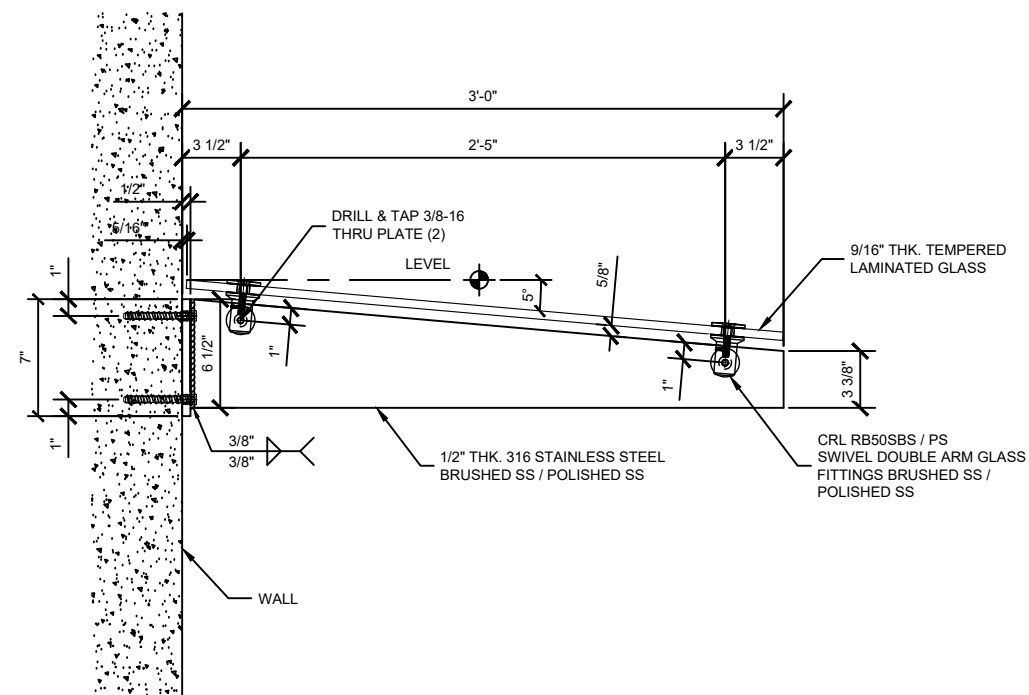


1 PLAN - TYPICAL GABS GLASS AWNING SYSTEM

Scale: 1 : 5

**STRUCTURAL DISCLAIMER:**

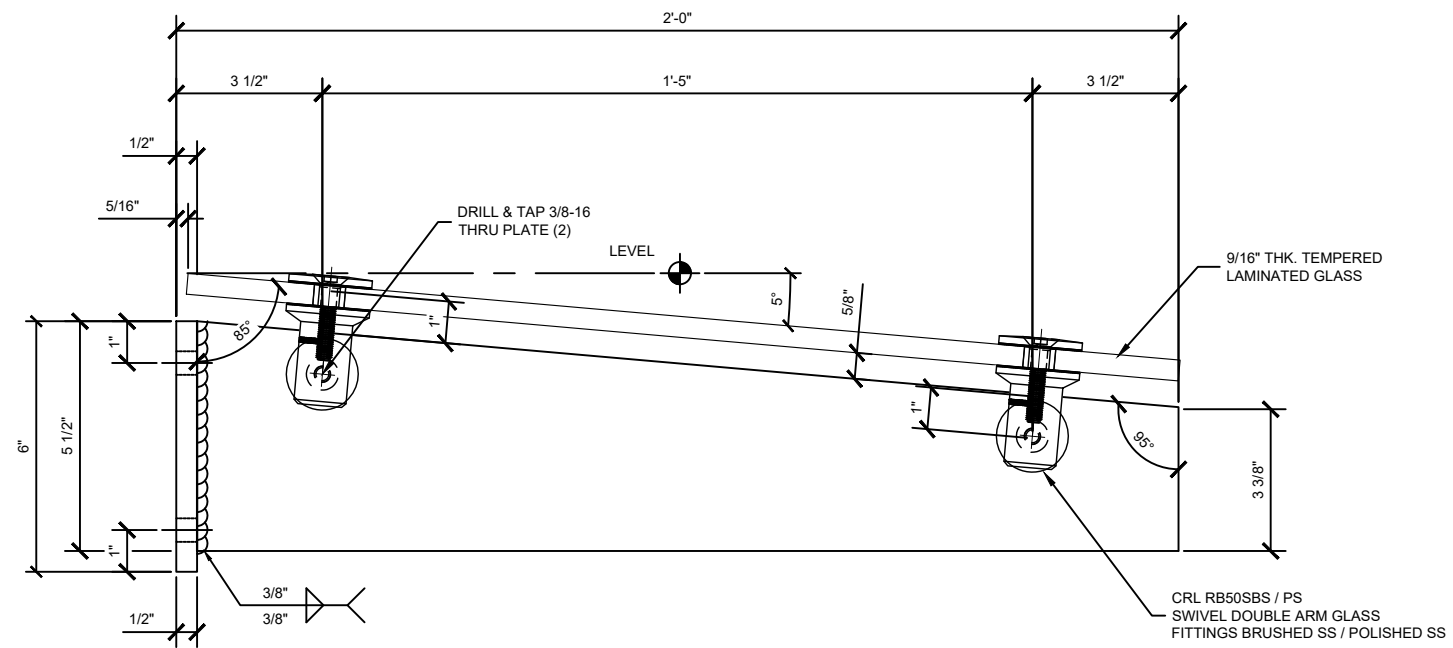
ALL CUSTOMERS WHO IN ANY WAY UTILIZE THIS PRODUCT ARE SOLELY RESPONSIBLE TO CONSULT A STRUCTURAL ENGINEER TO DETERMINE THE SUITABILITY OF THE PRODUCT FOR THE INTENDED USE AND SITE CONDITIONS. ALL INSTALLERS MUST BE QUALIFIED AND HAVE PROFESSIONAL KNOWLEDGE ABOUT COMPLIANCE WITH LOCAL, STATE AND FEDERAL REGULATIONS, SAFETY FACTORS, AND THE APPROPRIATE CHOICE OF FIXING MATERIAL AND PROCEDURES.



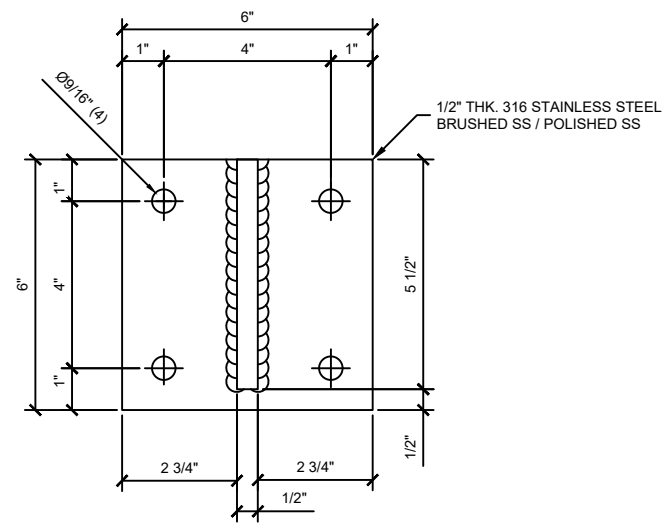
2 SECTION THRU 36" PANEL, 5° SLOPE - GABS36BS / PS

Scale: 1 : 5

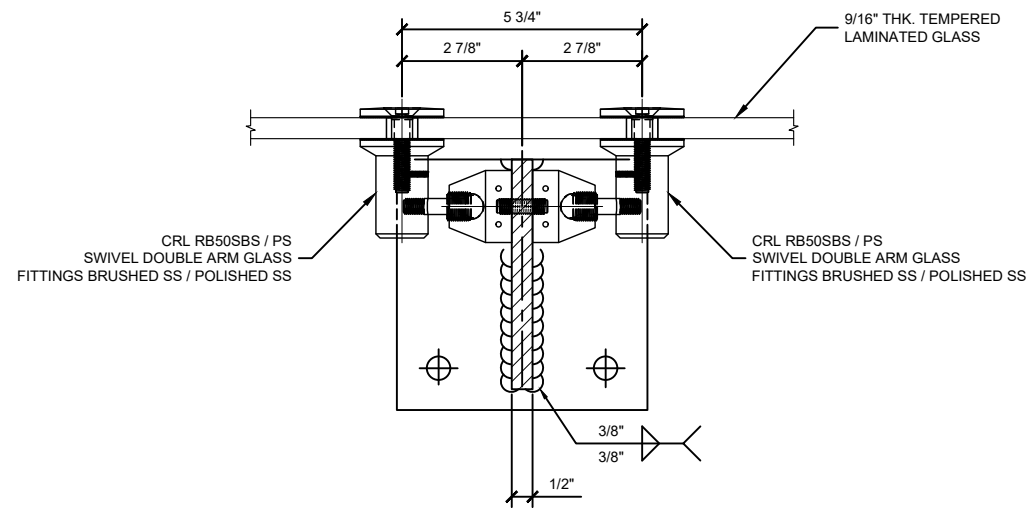
- GABS24BS/PS = 24" PROJECTION
- GABS36BS/PS = 36" PROJECTION
- GABS48BS/PS = 48" PROJECTION



1 CRL GABS24 - 24" GLASS AWNING BRACKET - 5% SLOPE  
Scale: 1 : 5



2 BASE PLATE DETAIL  
Scale: 6" = 1'-0"



3 GLASS FITTING DETAIL  
Scale: 6" = 1'-0"

Revisions By:

**CRL.**

2503 E. Vernon Avenue, Los Angeles, CA 90058-1897  
PH: (800)-421-8144 FX: 800-587-7501 www.crlaurence.com

Description:

CRL GABS  
SLOPED GLASS AWNING  
CATALOG NUMBER: RB50SBS/PS

Drawn By:JO

Date: 02/08/2019

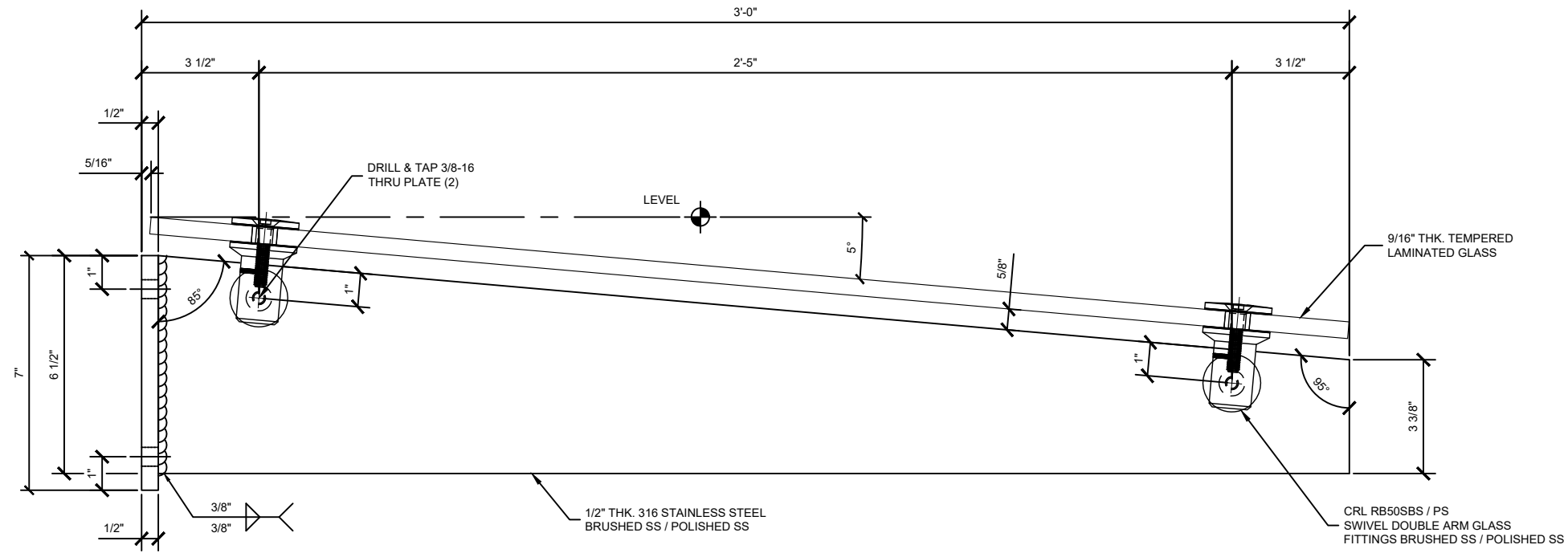
Scale: AS NOTED

File Name:

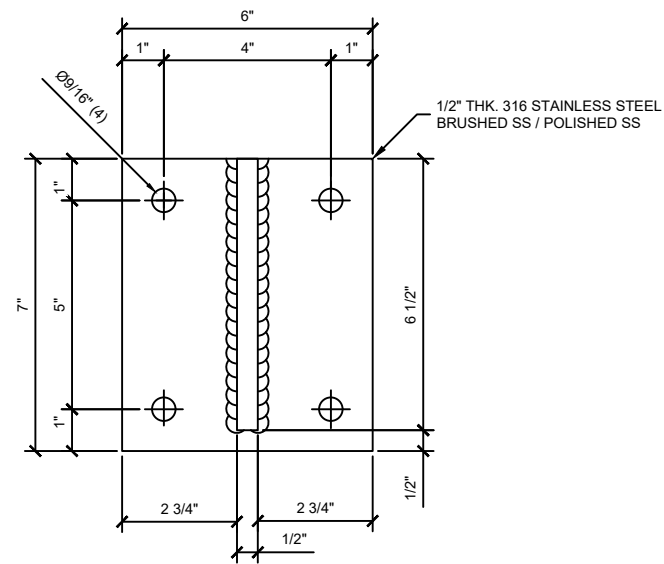
SYS0101A\_GAB\_WALL\_MNT

Sheet

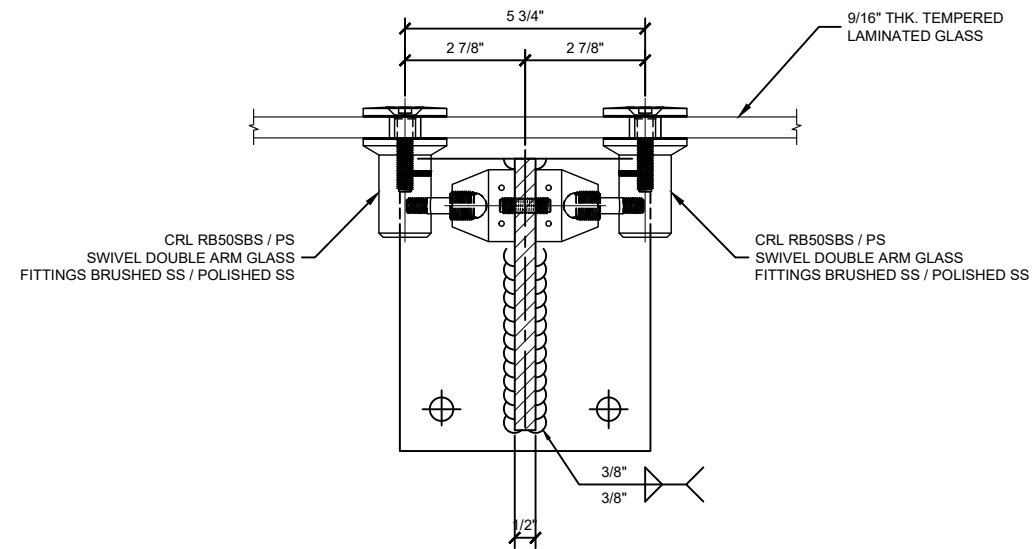
2



1 CRL GABS36 - 36" GLASS AWNING BRACKET - 5% SLOPE  
Scale: 6" = 1'-0"



2 BASE PLATE DETAIL  
Scale: 6" = 1'-0"



3 GLASS FITTING DETAIL  
Scale: 6" = 1'-0"

Revisions By:

**CRL**

2503 E. Vernon Avenue, Los Angeles, CA 90058-1897  
PH: (800)-421-8144 FX: 800-587-7501 www.crlaurence.com

Description:

CRL GABS  
SLOPED GLASS AWNING  
CATALOSUNORRAB36EM/ PS

Drawn By:JO

Date: 02/08/2019

Scale: AS NOTED

File Name:

SYS0101A\_GAB\_WALL\_MNT

Sheet

Revisions By:

# CRL

2503 E. Vernon Avenue, Los Angeles, CA 90058-1897  
PH: (800)-421-8144 FX: 800-587-7501 www.crlaurence.com

Description:

CRL GABS  
SLOPED GLASS AWNING  
CATALOG # GABS48 / PS

Drawn By: JO

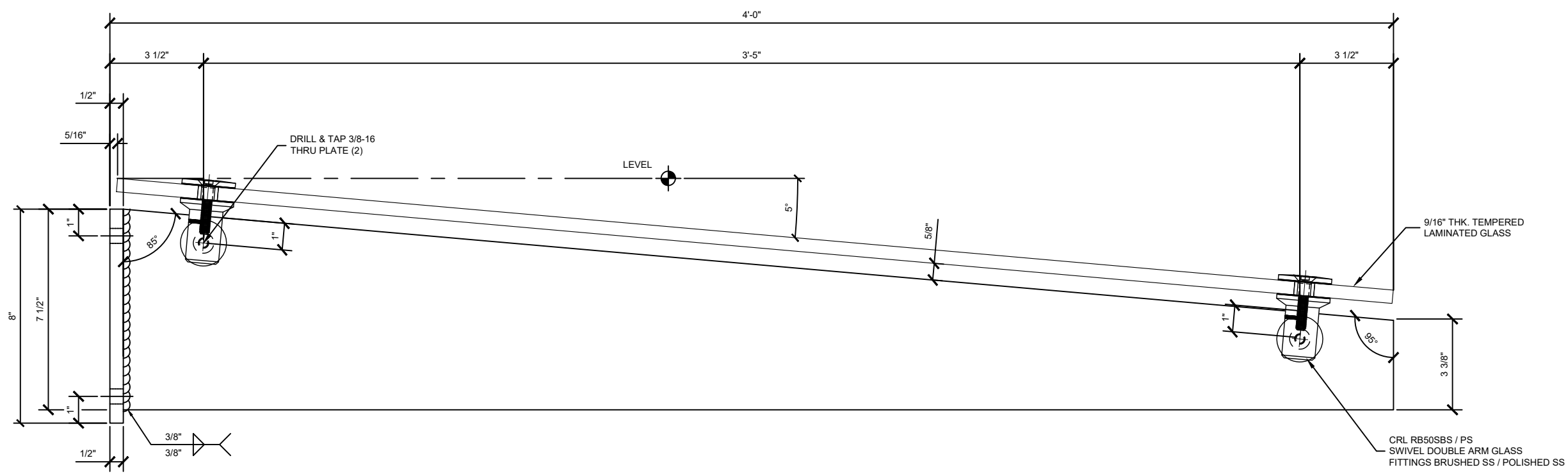
Date: 02/08/2019

Scale: AS NOTED

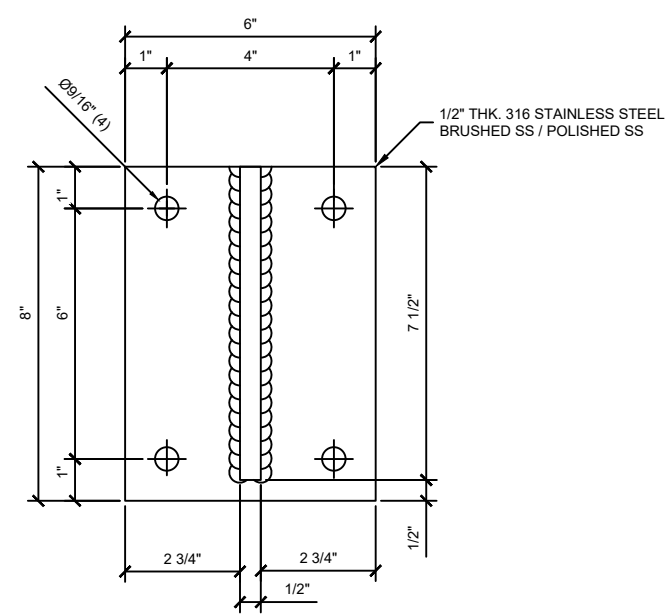
File Name:

SYS0101A\_GAB\_WALL\_MNT

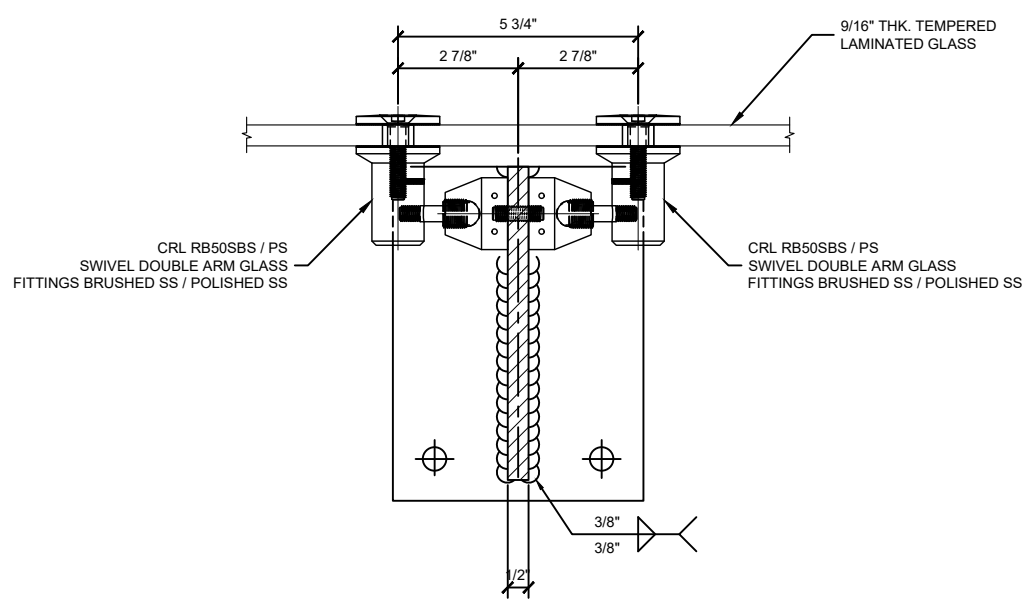
Sheet



1 CRL GABS48 - 48" GLASS AWNING BRACKET - 5% SLOPE Scale: 1 : 5



2 BASE PLATE DETAIL Scale: 6" = 1'-0"



3 GLASS FITTING DETAIL Scale: 6" = 1'-0"