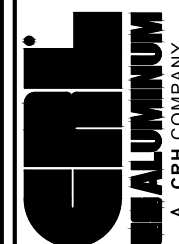


Revisions By:

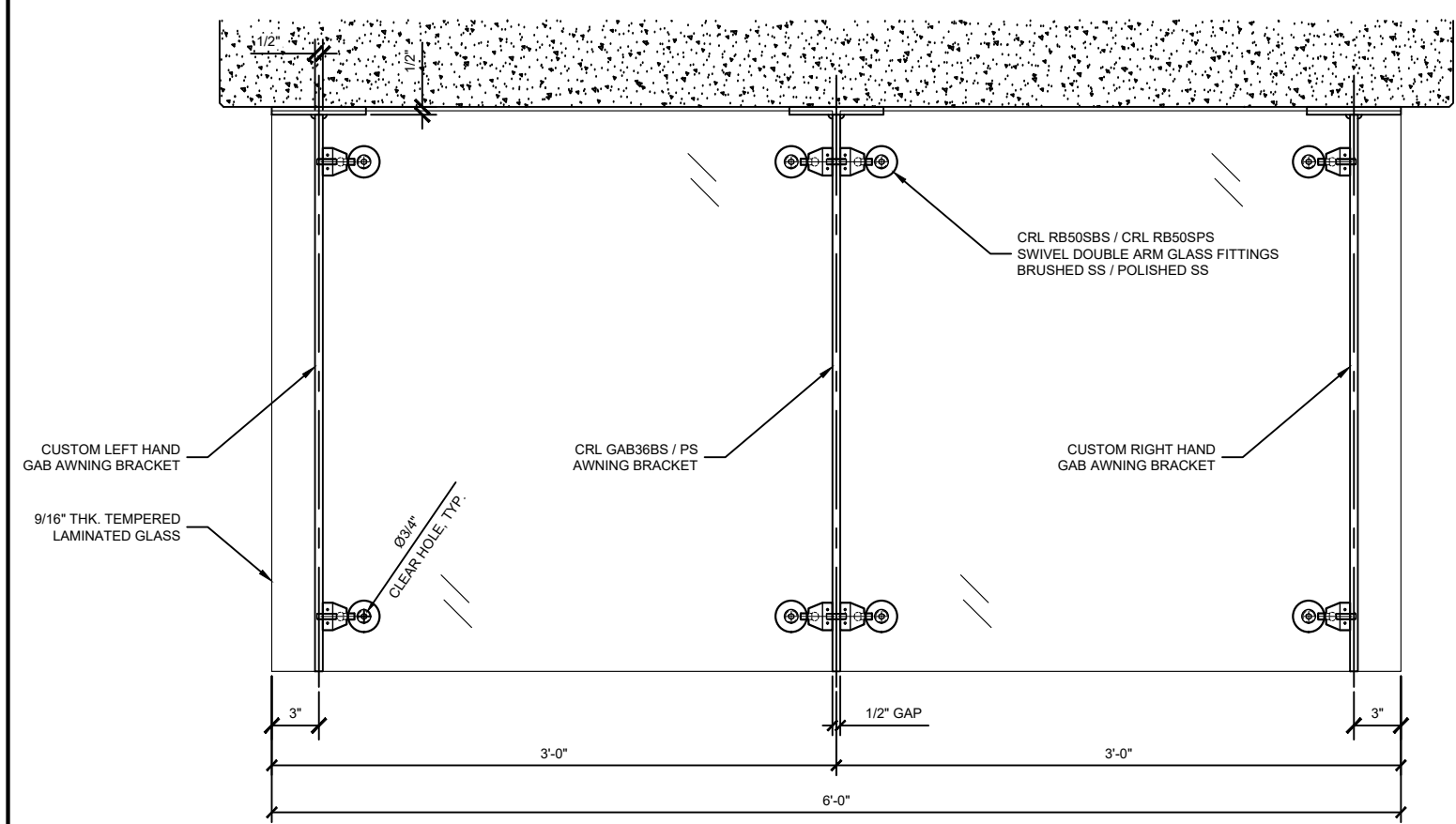


A CRL COMPANY  
2503 E. Vernon Avenue, Los Angeles, CA 90058-1897  
PH: (800)-421-8144 FX: 800-587-7501 www.crlaluminum.com

Description:  
CRL GAB  
GLASS AWNING SUPPORT SYSTEM

Drawn By:JO  
Date: 02/08/2019  
Scale: AS NOTED  
File Name:  
SYS0101A\_GAB\_WALL\_MNT

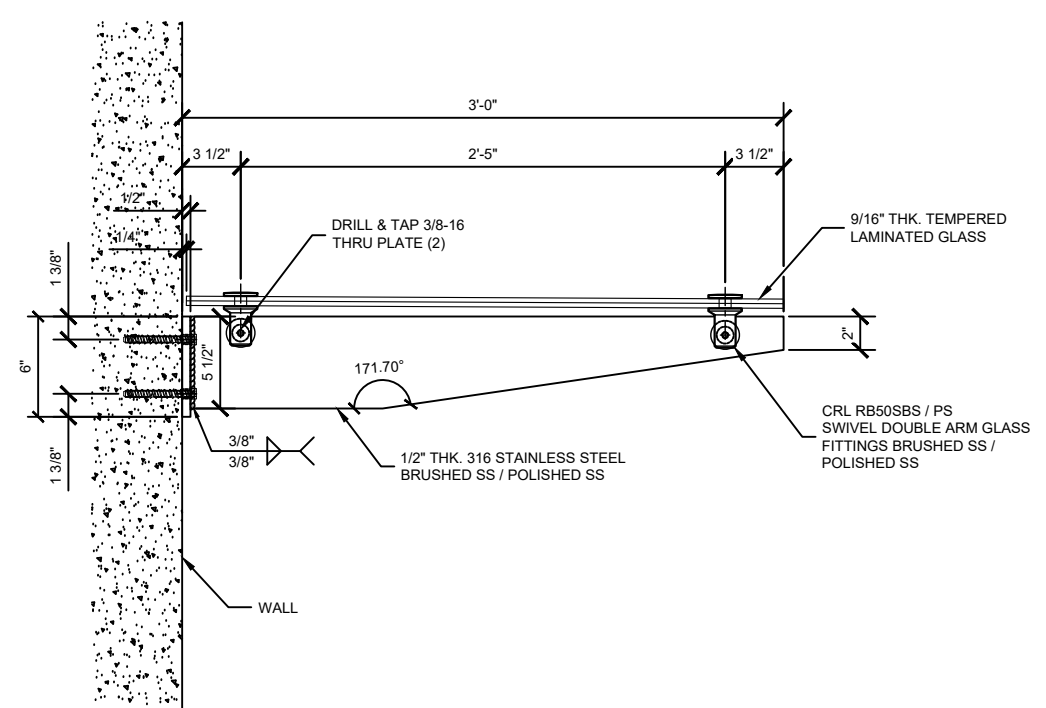
Sheet



1 PLAN - TYPICAL GAB GLASS AWNING SYSTEM

Scale: 1 : 5

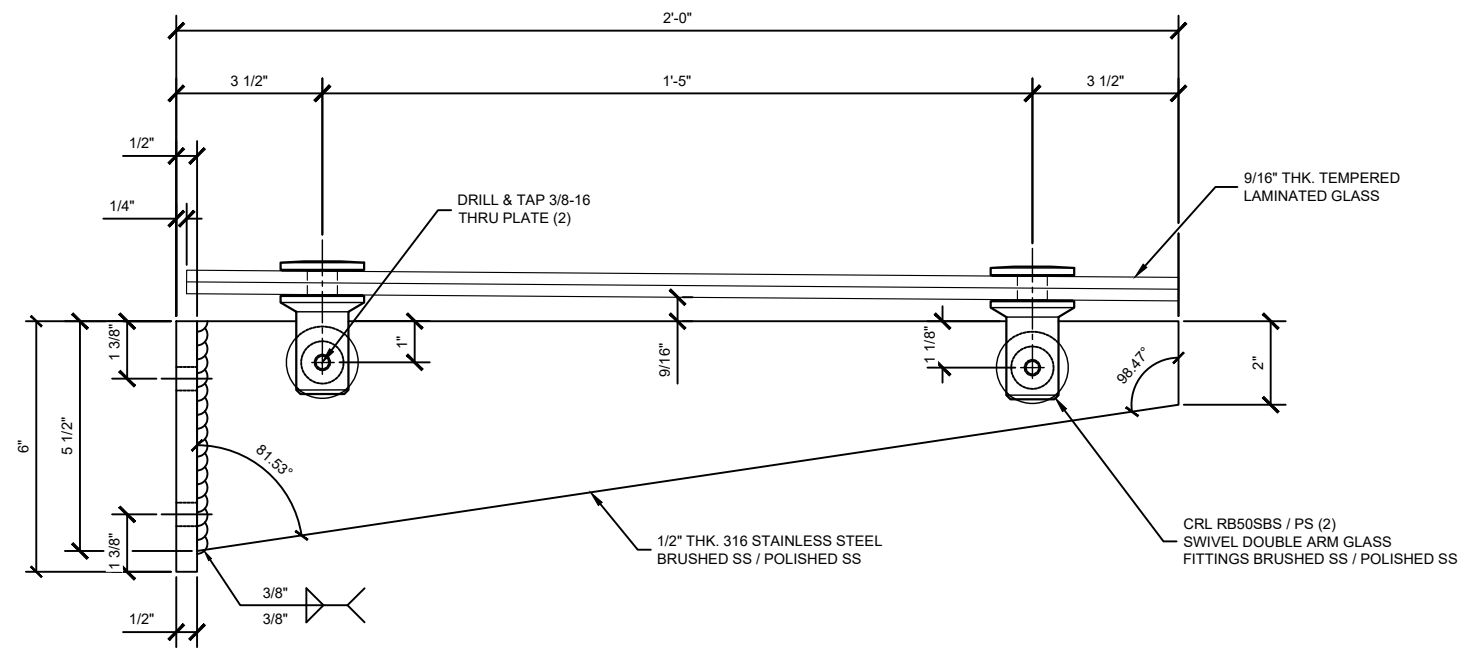
**STRUCTURAL DISCLAIMER:**  
 ALL CUSTOMERS WHO IN ANY WAY UTILIZE THIS PRODUCT ARE SOLELY RESPONSIBLE TO CONSULT A STRUCTURAL ENGINEER TO DETERMINE THE SUITABILITY OF THE PRODUCT FOR THE INTENDED USE AND SITE CONDITIONS. ALL INSTALLERS MUST BE QUALIFIED AND HAVE PROFESSIONAL KNOWLEDGE ABOUT COMPLIANCE WITH LOCAL, STATE AND FEDERAL REGULATIONS, SAFETY FACTORS, AND THE APPROPRIATE CHOICE OF FIXING MATERIAL AND PROCEDURES.



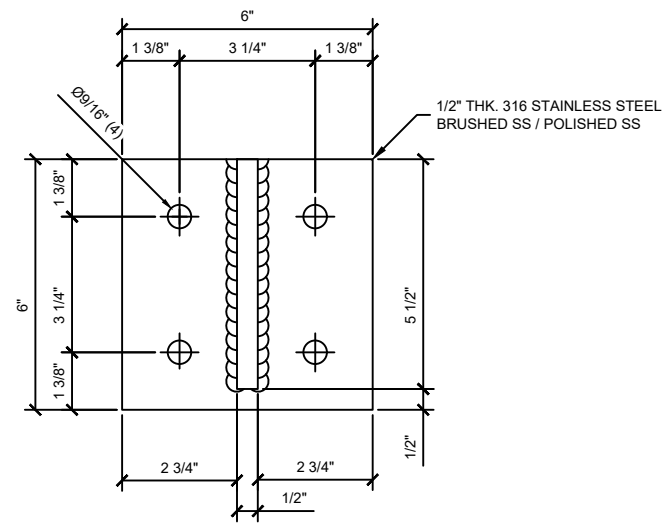
2 SECTION THRU 36" PANEL, GAB36BS / PS

Scale: 1 : 5

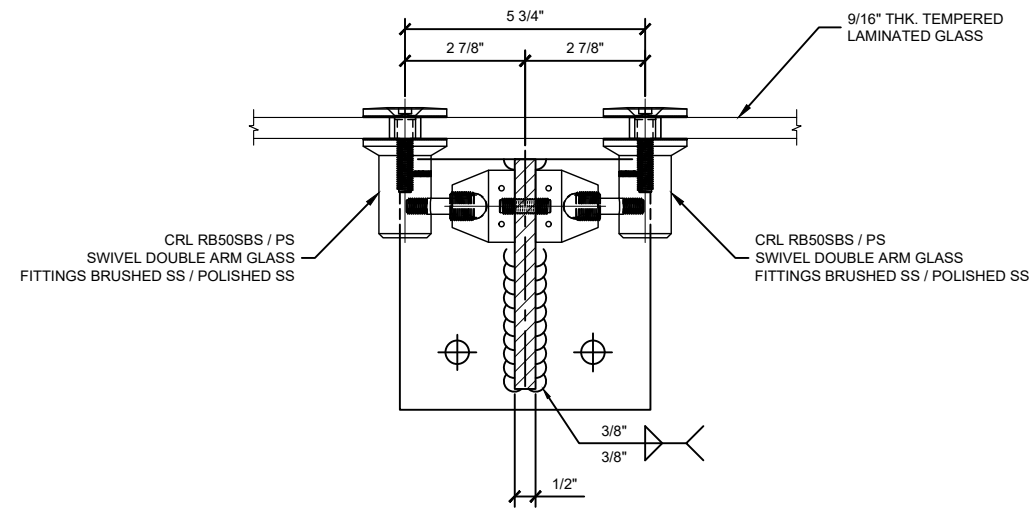
- GAB24BS/PS = 24" PROJECTION
- GAB36BS/PS = 36" PROJECTION
- GAB48BS/PS = 48" PROJECTION



1 CRL GABS24 - 24" GLASS AWNING BRACKET  
Scale: 6" = 1'-0"



2 BASE PLATE DETAIL  
Scale: 6" = 1'-0"



3 GLASS FITTING DETAIL  
Scale: 6" = 1'-0"

Revisions By:

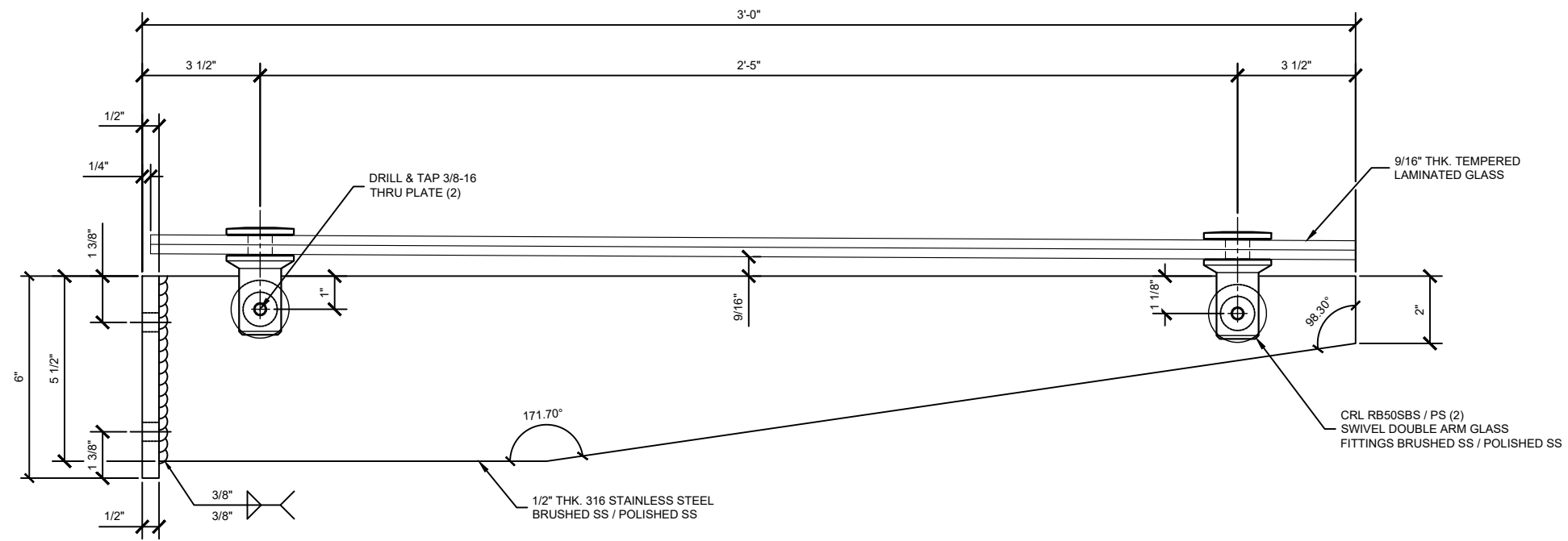


2503 E. Vernon Avenue, Los Angeles, CA 90058-1897  
PH: (800)-421-8144 FX: 800-587-7501 www.crlaurence.com

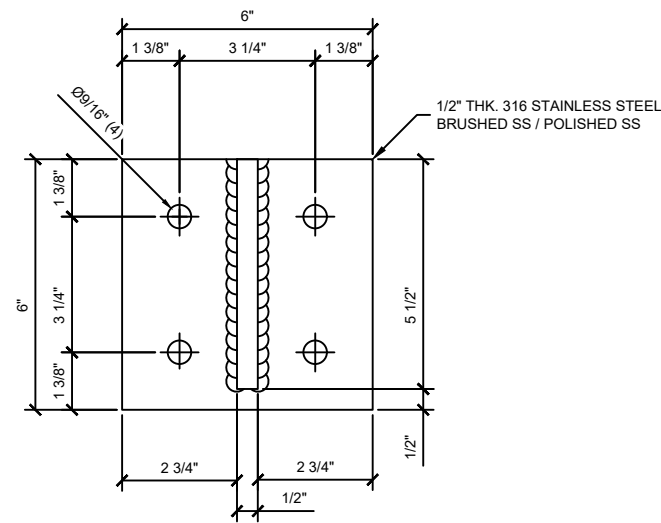
Description:  
CRL GAB  
GLASS AWNING SUPPORT SYSTEM

Drawn By:JO  
Date: 02/08/2019  
Scale: AS NOTED  
File Name:  
SYS0101A\_GAB\_WALL\_MNT

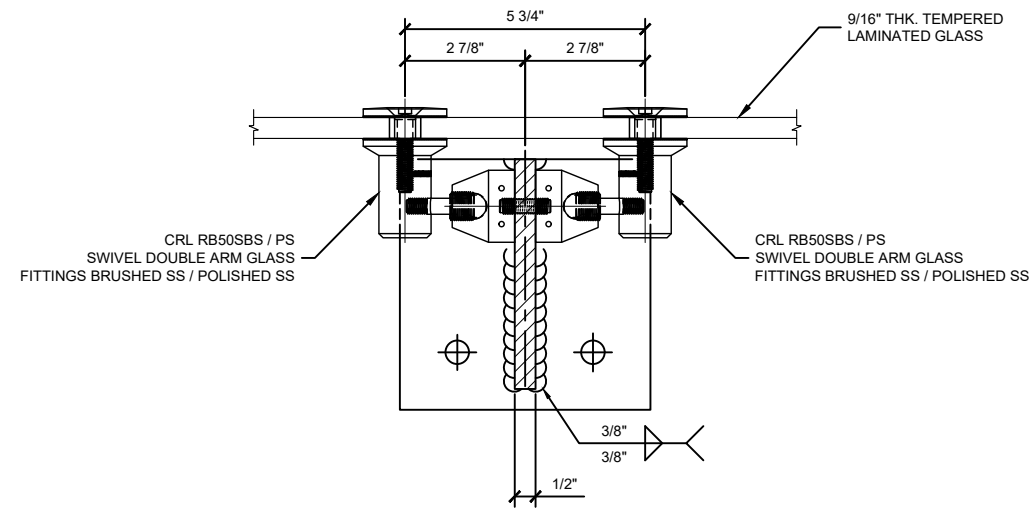
Sheet



1 CRL GAB36 - 36" GLASS AWNING BRACKET  
Scale: 6" = 1'-0"



2 BASE PLATE DETAIL  
Scale: 6" = 1'-0"



3 GLASS FITTING DETAIL  
Scale: 6" = 1'-0"

Revisions By:



A CRH COMPANY  
2503 E. Vernon Avenue, Los Angeles, CA 90058-1897  
PH: (800)-421-8144 FX: 800-587-7501 www.crlaurence.com

Description:  
CRL GAB  
GLASS AWNING SUPPORT SYSTEM

Drawn By:JO  
Date: 02/08/2019  
Scale: AS NOTED  
File Name:  
SYS0101A\_GAB\_WALL\_MNT  
Sheet

Revisions By:

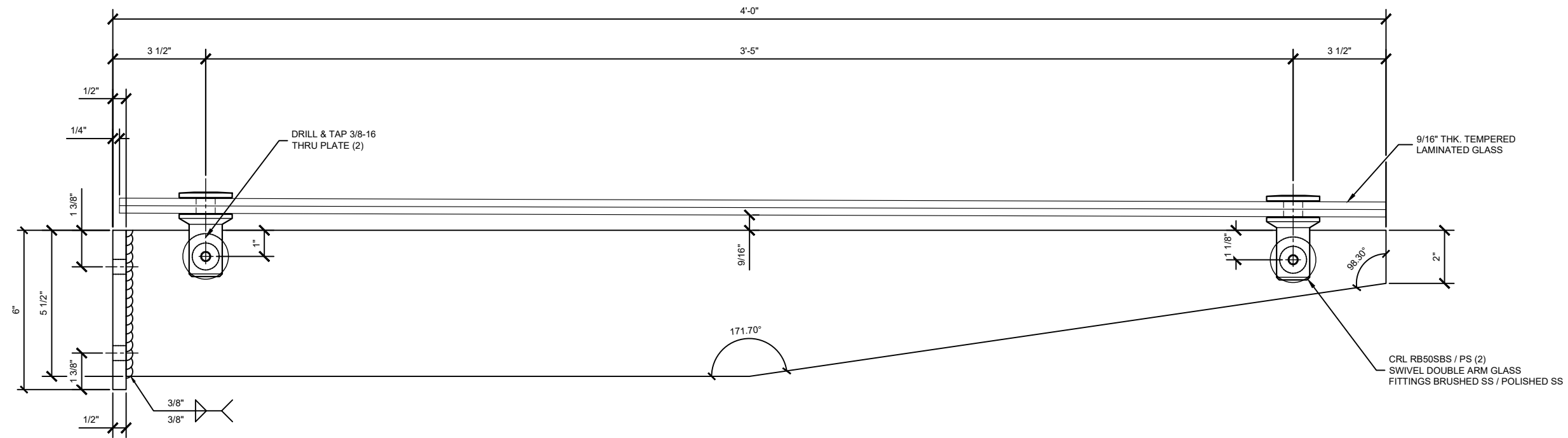


A CRL COMPANY  
2503 E. Vernon Avenue, Los Angeles, CA 90058-1897  
PH: (800)-421-8144 FX: 800-587-7501 www.crlaluminum.com

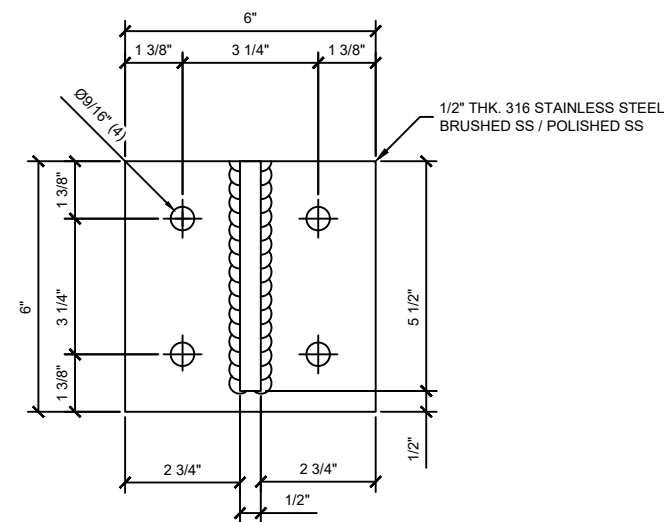
Description:  
CRL GAB  
GLASS AWNING SUPPORT SYSTEM

Drawn By:JO  
Date: 02/08/2019  
Scale: AS NOTED  
File Name:  
SYS0101A\_GAB\_WALL\_MNT

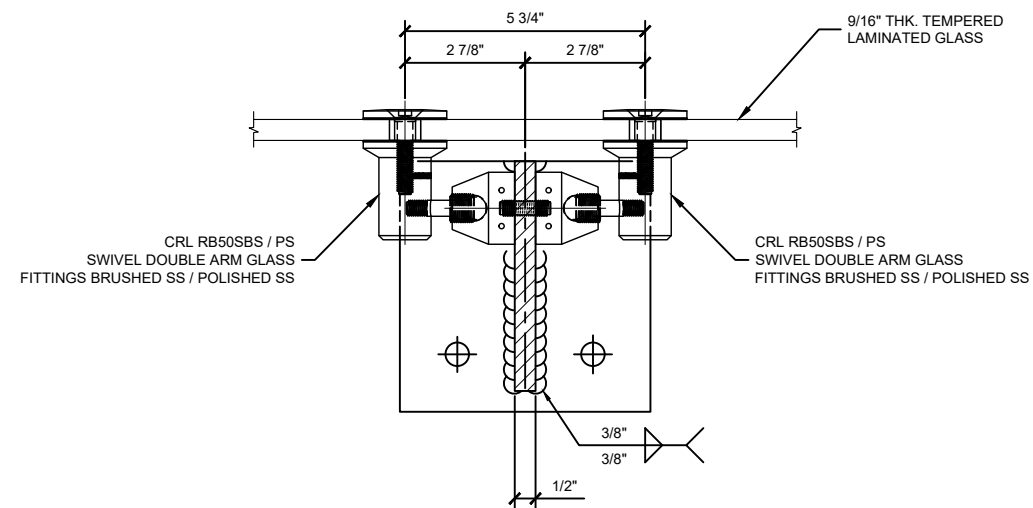
Sheet



1 CRL GAB48 - 48" GLASS AWNING BRACKET Scale: 6" = 1'-0"



2 BASE PLATE DETAIL Scale: 6" = 1'-0"



3 GLASS FITTING DETAIL Scale: 6" = 1'-0"