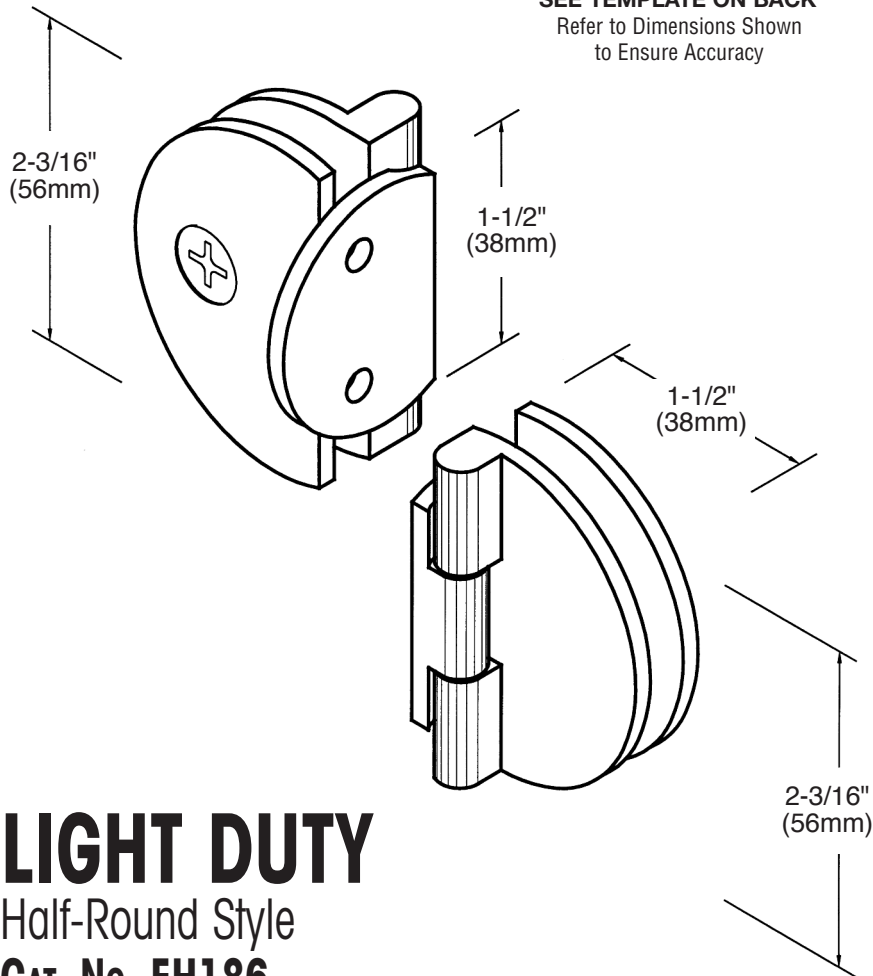




C.R. LAURENCE CO., INC.
PROFESSIONAL QUALITY

*** SEE TEMPLATE ON BACK ***
 Refer to Dimensions Shown
 to Ensure Accuracy



LIGHT DUTY
 Half-Round Style
 Cat. No. EH186

Specifications:

Glass Sizes: 1/4" (6mm) to 5/16" (8mm) thick tempered safety glass
Construction: Solid brass
Closing Type: Free swinging
1/2" Diameter Hole Required (No Cutout)
Includes: Gaskets

Use of Gaskets:

For 1/4"(6mm) Glass: Use one gasket on each side
For 5/16"(8mm) Glass: Use one gasket on each side

Recommendations:

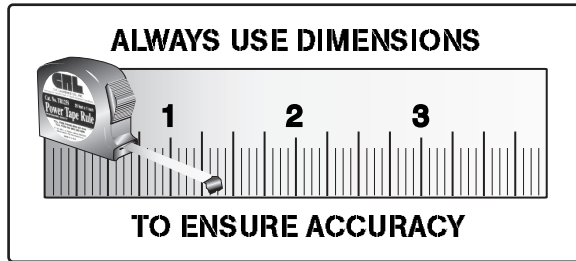
For public safety, we recommend the use of only tempered safety glass.
 Do not use power tools when installing these hinges.

*Maximum Door Capacities	1/4" (6mm) Glass		5/16" (8mm) Glass	
	Weight	Width	Weight	Width
Using 2 Hinges	50 lbs.(23 kg)	24"(610mm)	50 lbs.(23 kg)	24"(610mm)
Using 3 Hinges	75 lbs.(34 kg)	24"(610 mm)	75 lbs.(34 kg)	24"(610 mm)

***NOTE:** Do not exceed either maximum weight or width when choosing proper quantity of hinges.



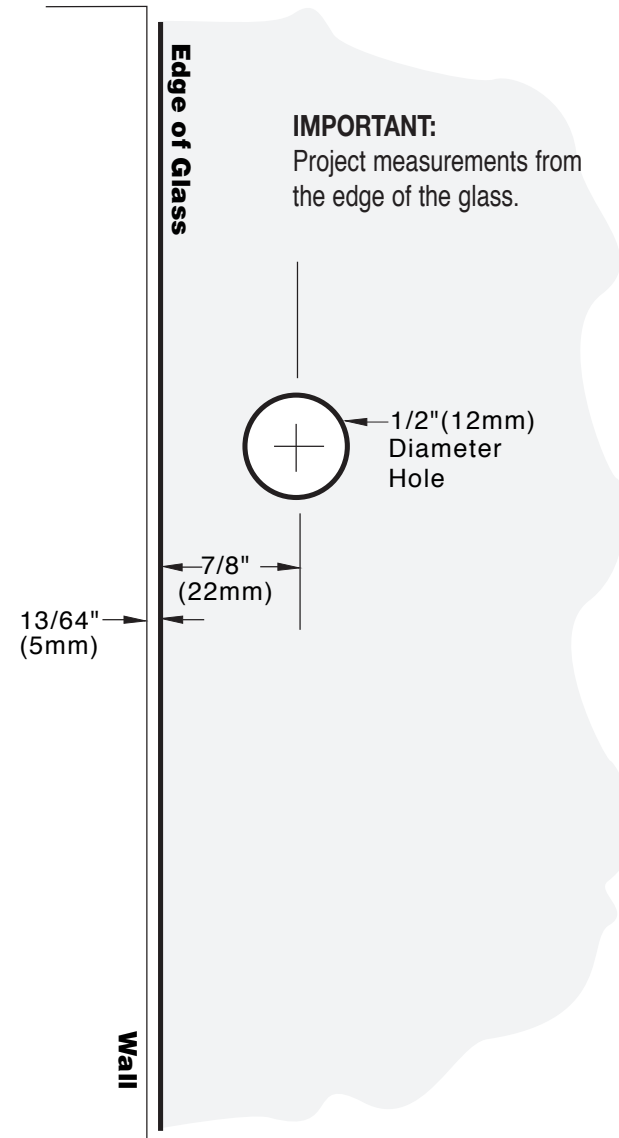
C.R. LAURENCE CO., INC.
PROFESSIONAL QUALITY



LIGHT DUTY

Half-Round Style

CAT. No. EH186



C.R. Laurence Co., Inc.
crlaurence.com

For technical assistance in the United States call toll free (800) 421-6144; from Canada call toll free (877) 421-6144; Outside the U.S. and Canada call (323) 588-1281. Ask for Tech Sales at Extension 7740. Toll free fax (800) 458-7496.

© Copyright 2005, C.R. Laurence Co., Inc_SDT21_US