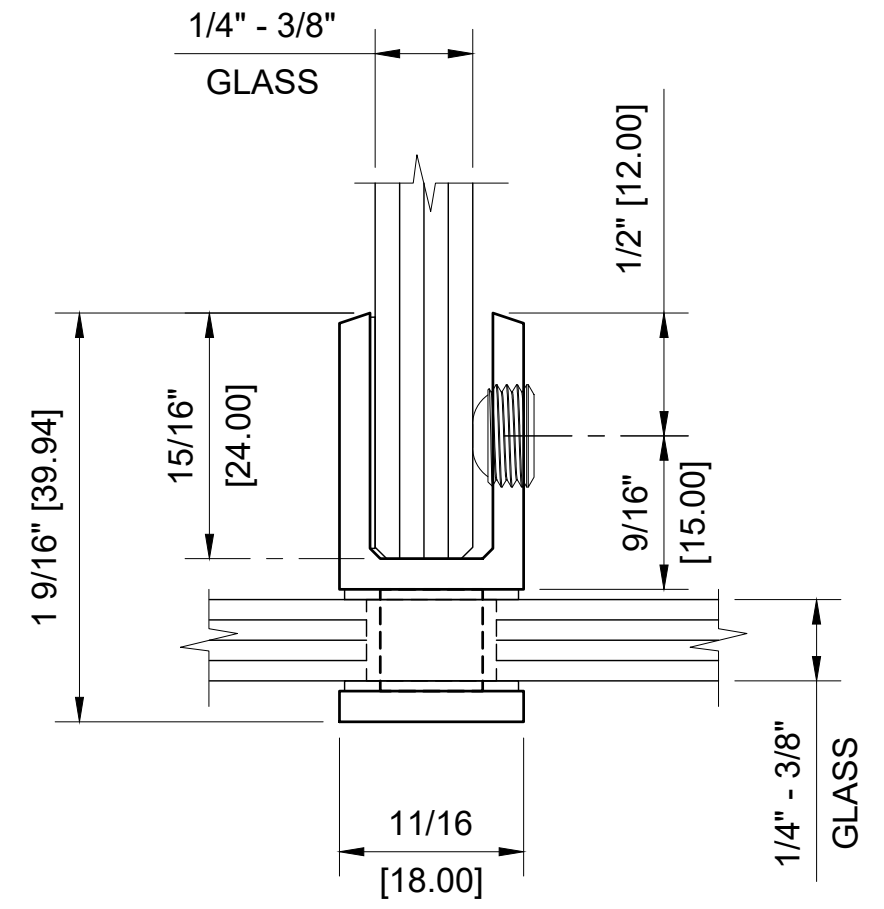
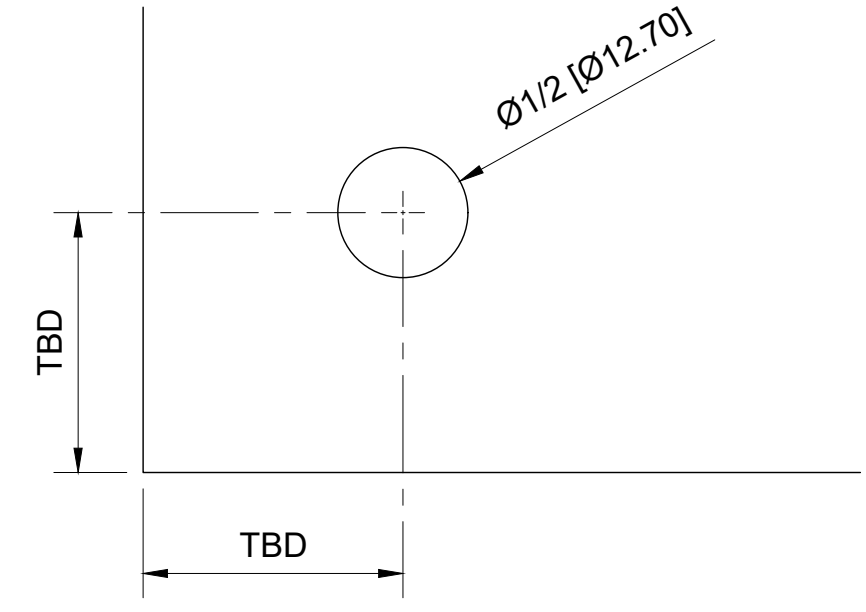
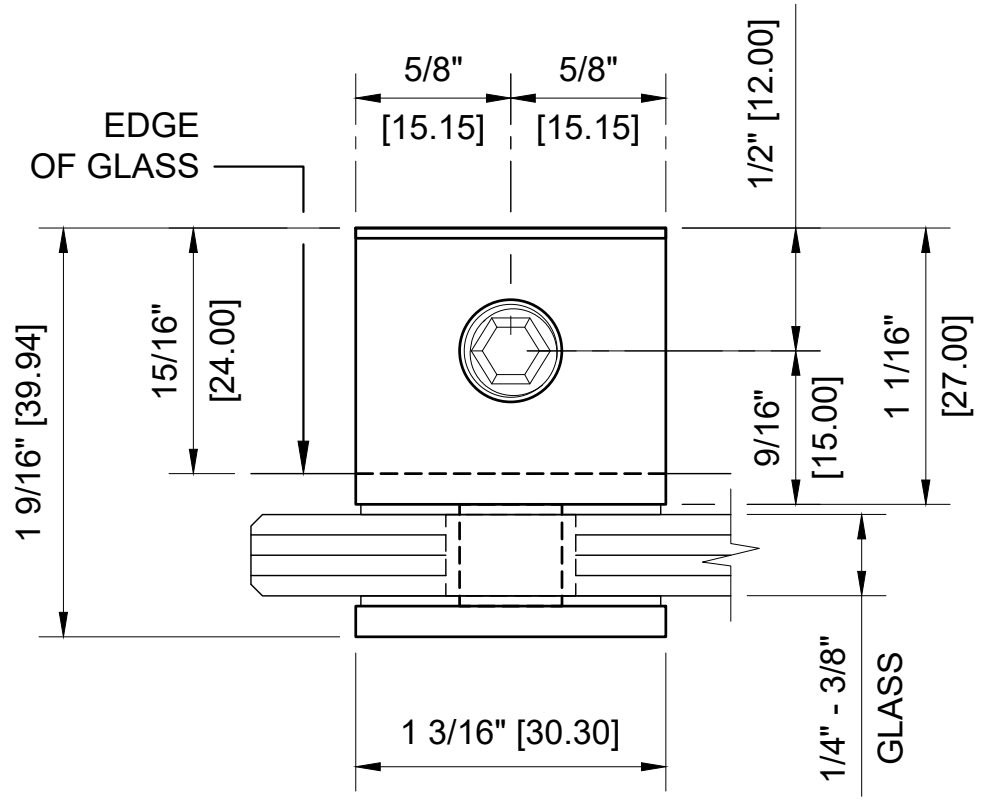
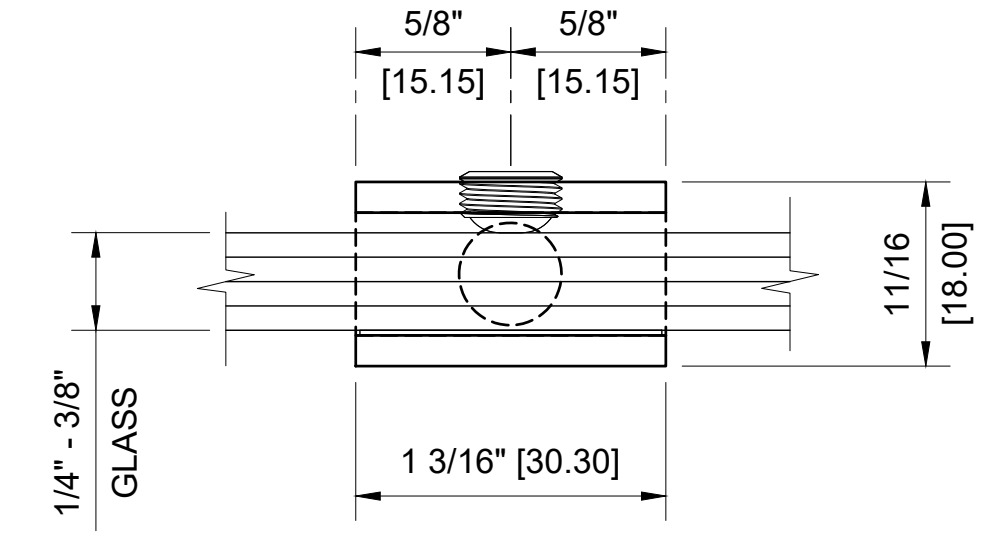


GLASS: 1/4" (6mm)  
 GLASS: 3/8" (10mm)



GLASS FABRICATION TEMPLATE

CRL - FA80 THRU- GLASS SQUARE CORNERED SHELF CLAMP FOR 1/4" - 3/8" GLASS

DATE: 10-1-2020  
 SCALE: 1'-0"=1'-0"  
 DRAWN BY: VM

DESCRIPTION:  
 CRL - FA80  
 THRU-GLASS SQUARE CORNERED SHELF CLAMP

C.R. LAURENCE CO. ARCHITECTURAL PRODUCTS  
 2503 E. Vernon Avenue, Los Angeles, CA 90058-1897  
 PH (800)-421-6144 FX: 800-587-7501 www.crlaurence.com

