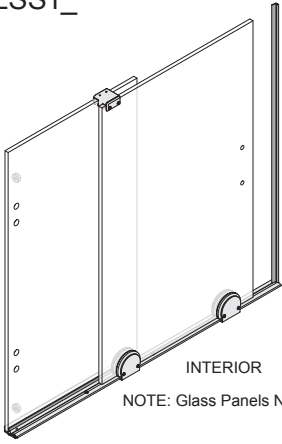
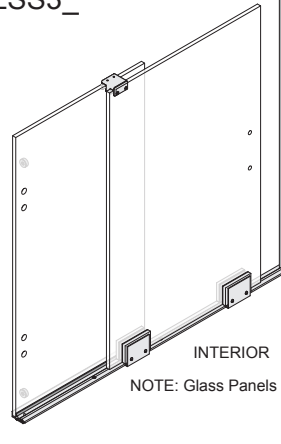
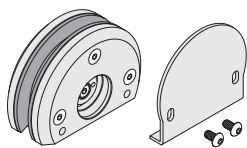
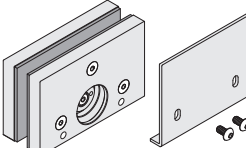
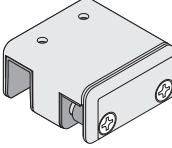
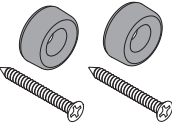
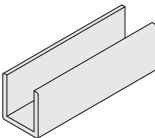
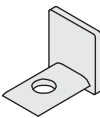
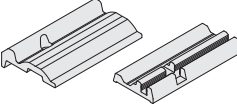
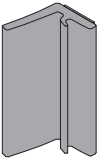

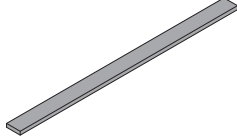


CRL ESSENCE SERIES HEADERLESS SLIDING SHOWER DOOR SYSTEM



NOTE: CL90s_ Wall Mount Brackets not included.

PARTS LIST

<p>ESS1_</p>  <p>INTERIOR</p> <p>NOTE: Glass Panels Not Included.</p> <p>64" (1626 mm) Rounded Style Essence Kit with Header</p>	<p>Kit Contains:</p> <ul style="list-style-type: none"> 1 Top Guide 2 Rubber Bumpers 1 64" (1626 mm) Bottom Track with Mounting Channel and Fasteners 1 98" (2489 mm) L-Seal 1 98" (2489 mm) U-Channel 1 End Cap for U-Channel 2 Rounded Style Bottom Rollers 1 Spanner Wrench 	<p>ESS3_</p>  <p>INTERIOR</p> <p>NOTE: Glass Panels Not Included.</p> <p>64" (1626 mm) Squared Style Essence Kit with Header</p>	<p>Kit Contains:</p> <ul style="list-style-type: none"> 1 Top Guide 2 Rubber Bumpers 1 64" (1626 mm) Bottom Track with Mounting Channel and Fasteners 1 98" (2489 mm) L-Seal 1 98" (2489 mm) U-Channel 1 End Cap for U-Channel 2 Squared Style Bottom Rollers 1 Spanner Wrench
<p>BR4_</p>  <p>Rounded Style Rollers (2)</p>	<p>SR4_</p>  <p>Squared Style Rollers (2)</p>	<p>TG4_</p>  <p>Top Guide</p>	<p>ESSF1S*</p>  <p>Bumpers (2)</p>
<p>SDCD12_</p>  <p>98" (2489 mm) U-Channel</p>	<p>SDCEC12_</p>  <p>End Cap for U-Channel</p>	<p>SVE301_</p>  <p>64" (1626 mm) Bottom Track with Mounting Strip</p>	<p>DK98L</p>  <p>98" (2489 mm) Plastic L-Seal</p>
<p>ESSLSS*</p>  <p>Spanner Wrench for Roller Adjustment</p>	<p>SB596</p>  <p>1/16" Setting Block (Use as Guide)</p>		

* Available through Technical Sales at (323) 588-1281

NOTE: ESS1_ installation drawings shown in this manual. Other installations similar.

ORDER OF ASSEMBLY AND INSTALLATION

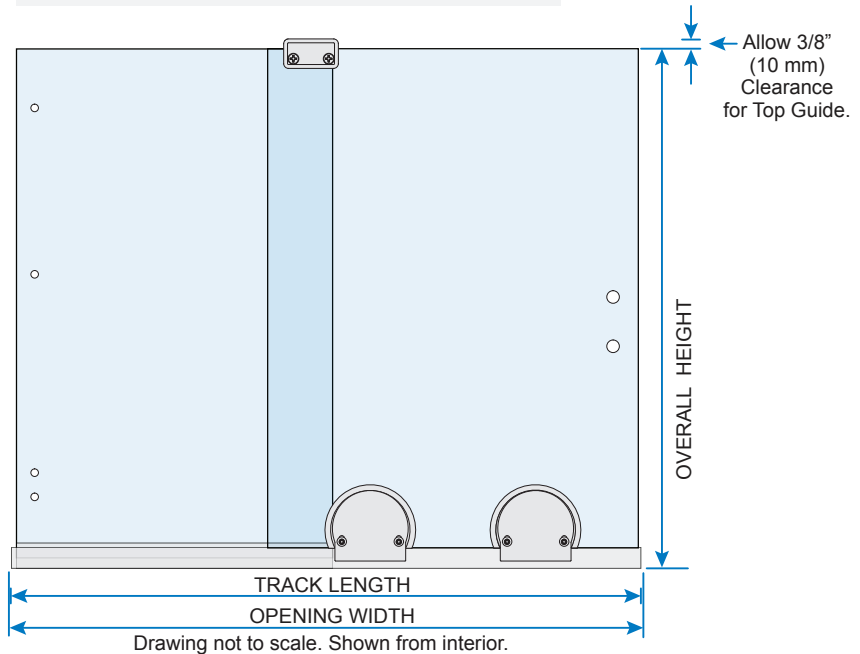
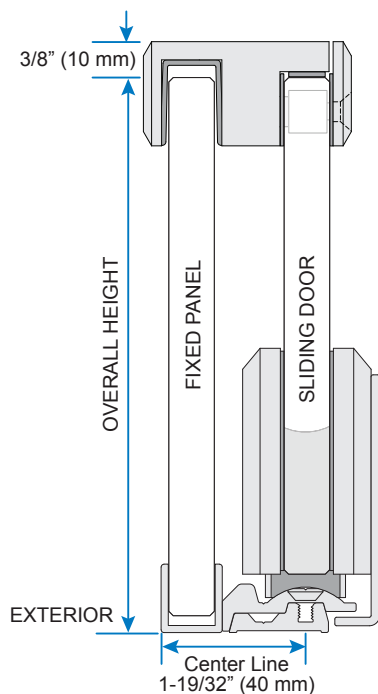
PARTS LIST	2
SPECIFICATIONS	3
GLASS FABRICATION	4
SITE PREPARATION	5
Mark Location for Track	5
FRAME FABRICATION	5
Cut Bottom Track and U-Channel	5
FRAME INSTALLATION	6 - 7
Install Mounting Strip	6
Install Bottom Track	6
Install U-Channel	7
Install Fixed Panel	7
SLIDING DOOR ASSEMBLY	8
Install Top Guide	8
Install Bottom Rollers	8
SLIDING DOOR INSTALLATION	9
Install Sliding Door	9
Install Anti-Lift Guides	9
FINISHING	10
Install L-Seal	10
Install Bumpers	10

IMPORTANT: READ THIS MANUAL THOROUGHLY BEFORE BEGINNING INSTALLATION.

SPECIFICATIONS

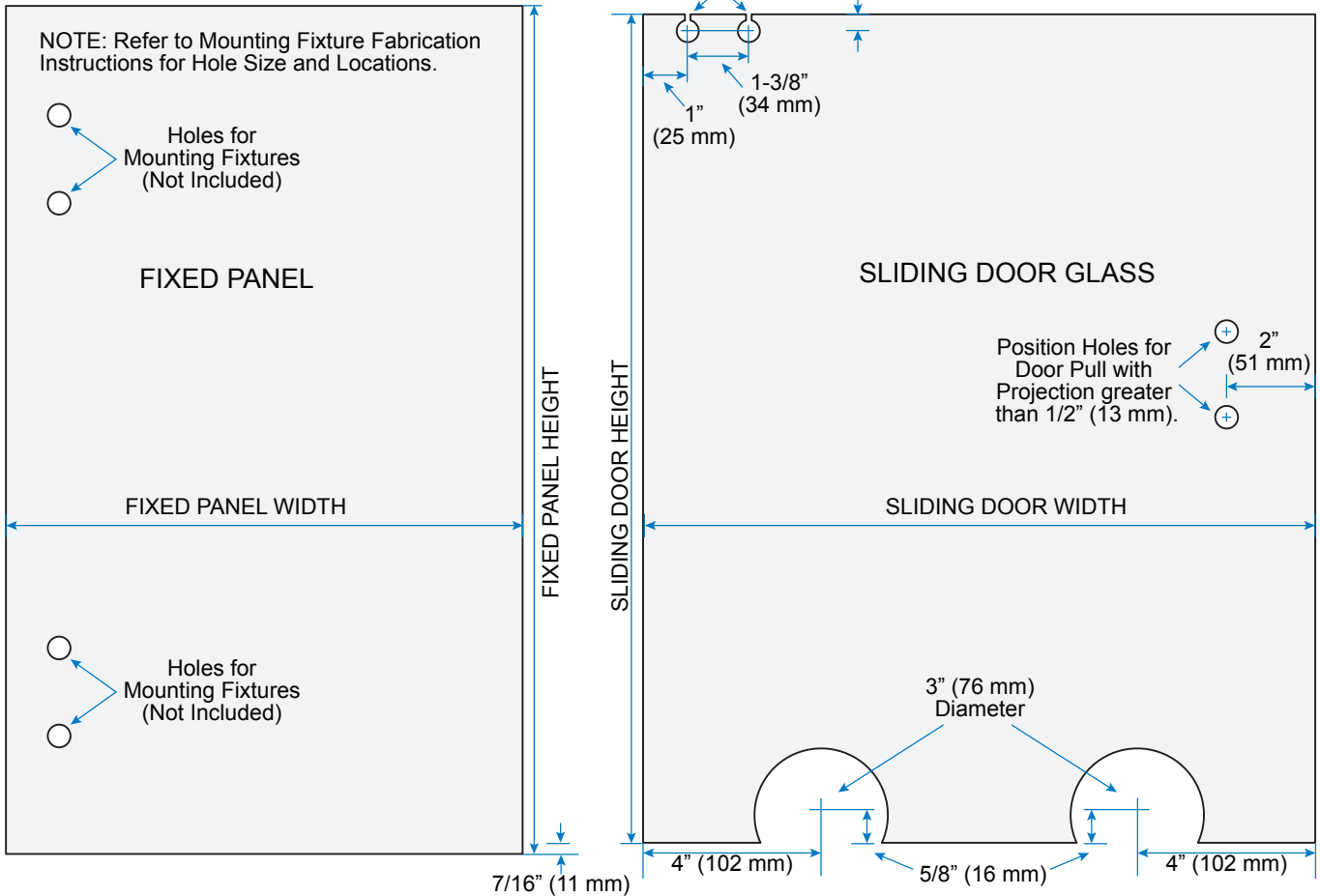
NOTE: For use with 1/2" (12 mm) Tempered Glass only. Do Not use Laminated Glass.

NOTE: Mounting Brackets for Fixed Panel Sold Separately.

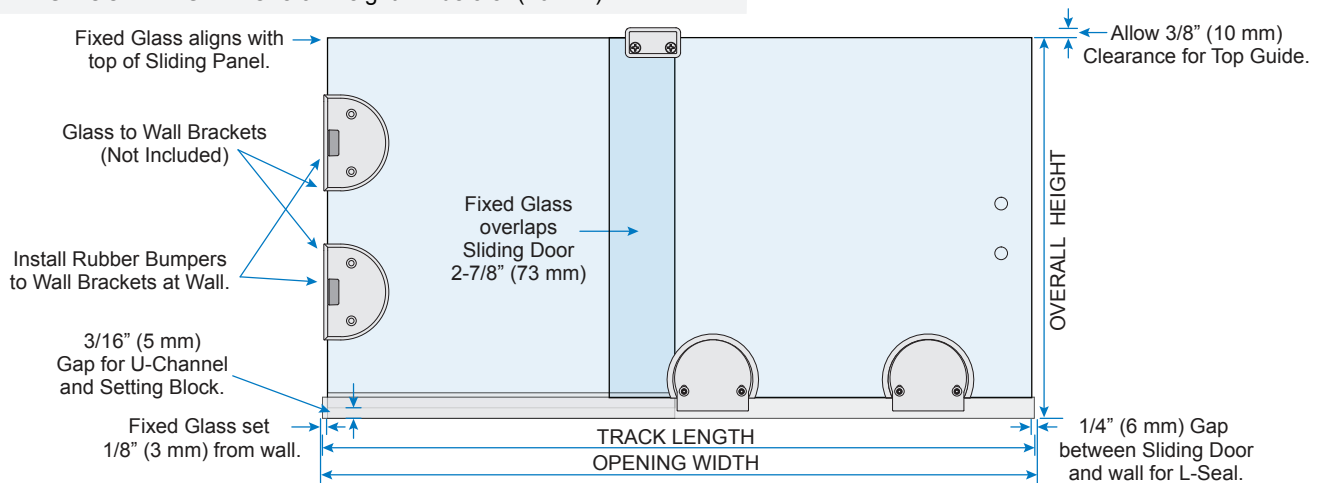


GLASS FABRICATION

NOTE: For use with 1/2" (12 mm) Tempered Glass only. Do Not use Laminated Glass.

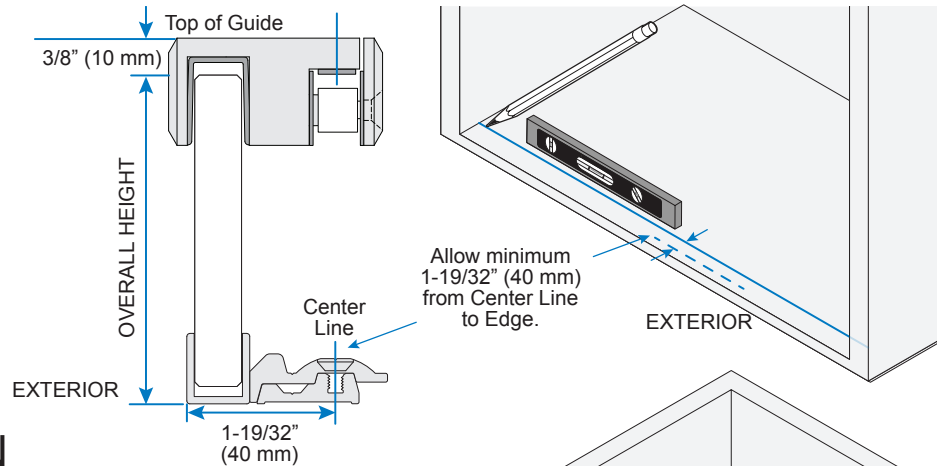


FIXED PANEL WIDTH : Opening Width Divided by 2 minus 1/2" (13 mm)
 FIXED PANEL HEIGHT : Overall Height minus 3/16" (5 mm)
 SLIDING DOOR WIDTH : Opening Width Divided by 2 plus 3" (76 mm)
 SLIDING DOOR HEIGHT : Overall Height minus 5/8" (16 mm)



NOTE: Drawings not shown to scale. Track is cut 1/16" (2 mm) less than Opening Width and centered in opening. Overall Height is height from curb/floor to top of glass. Drawings shown from interior.

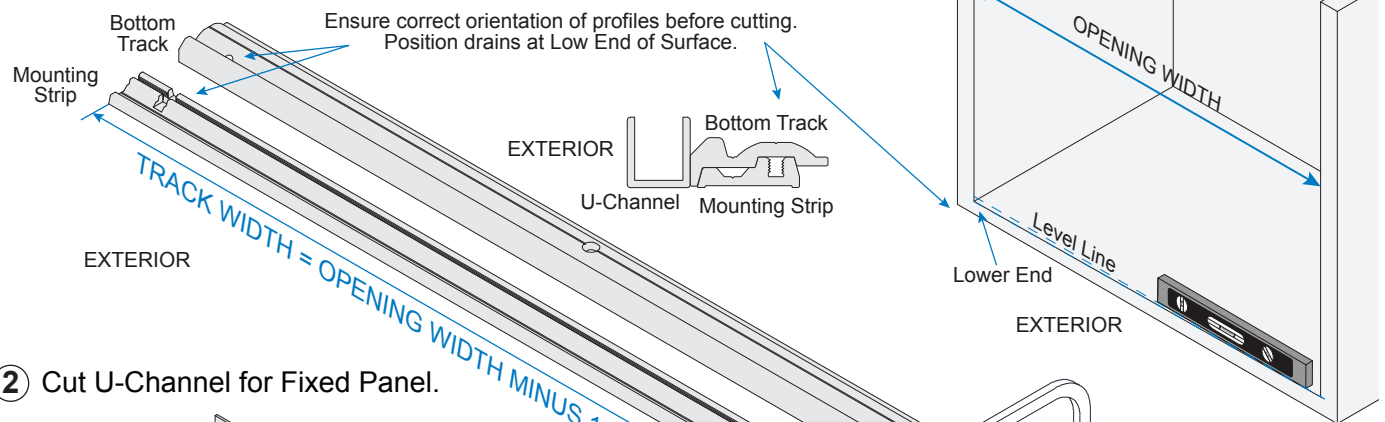
SITE PREPARATION Mark Location for Track



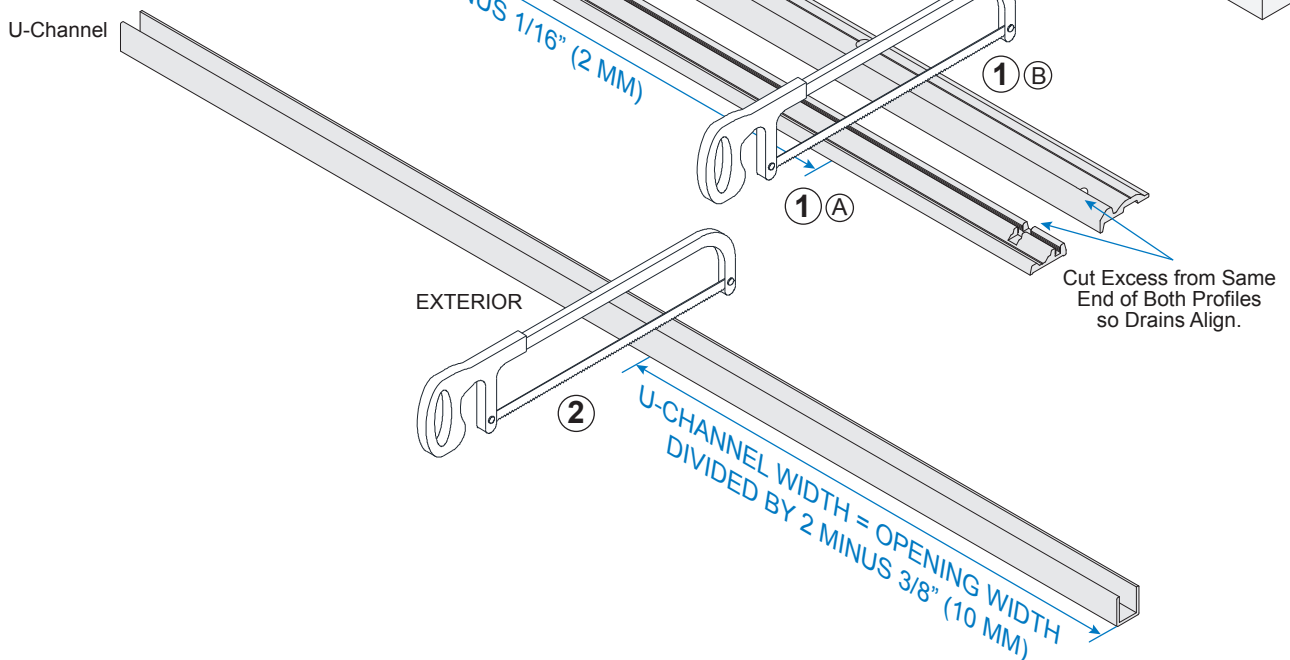
FRAME FABRICATION Cut Bottom Track and U-Channel

- 1 Cut Bottom Track and Mounting Strip from same end.

NOTE: The Bottom Track and Mounting Strip are fabricated with the same drainage system on both ends. Determine if the surface is out of level first and then cut excess from the same end of both profiles so the drains will align at the low side of the surface when installed.



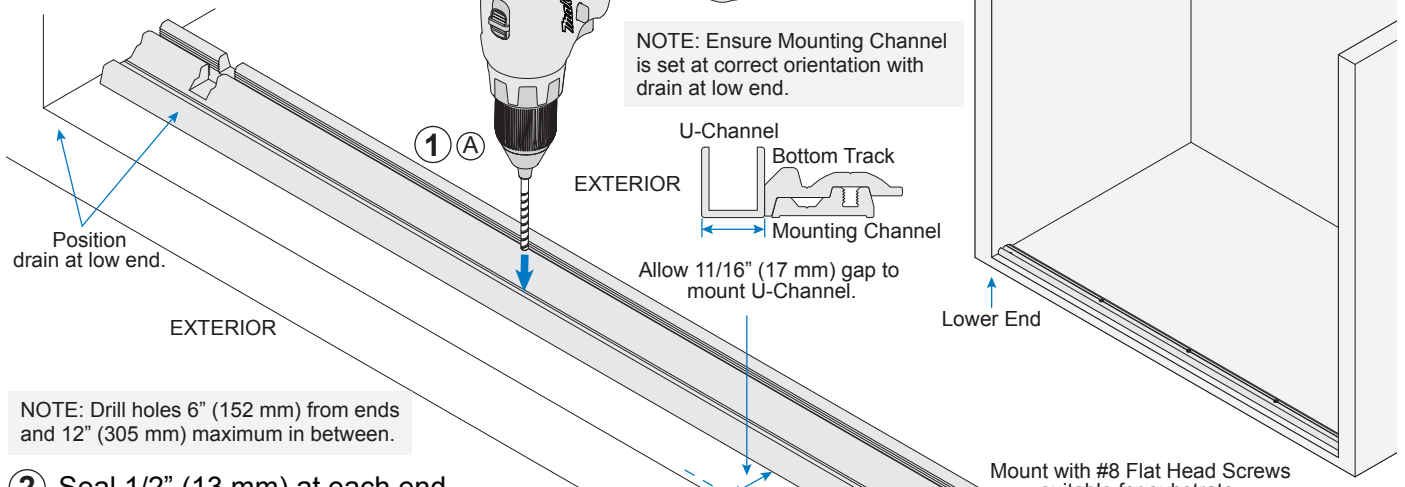
- 2 Cut U-Channel for Fixed Panel.



FRAME INSTALLATION

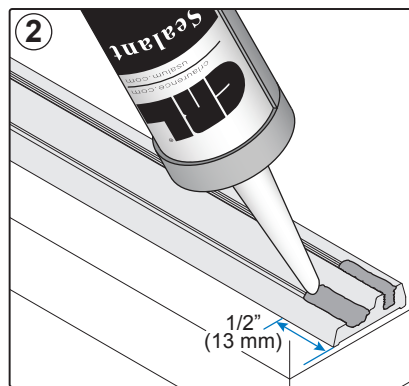
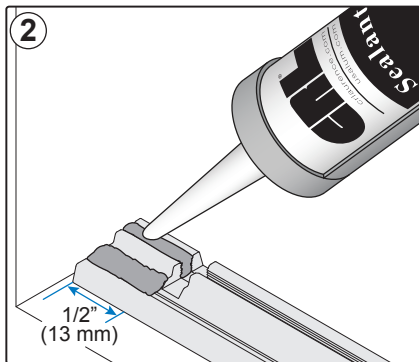
Install Mounting Strip

① Install Mounting Channel.



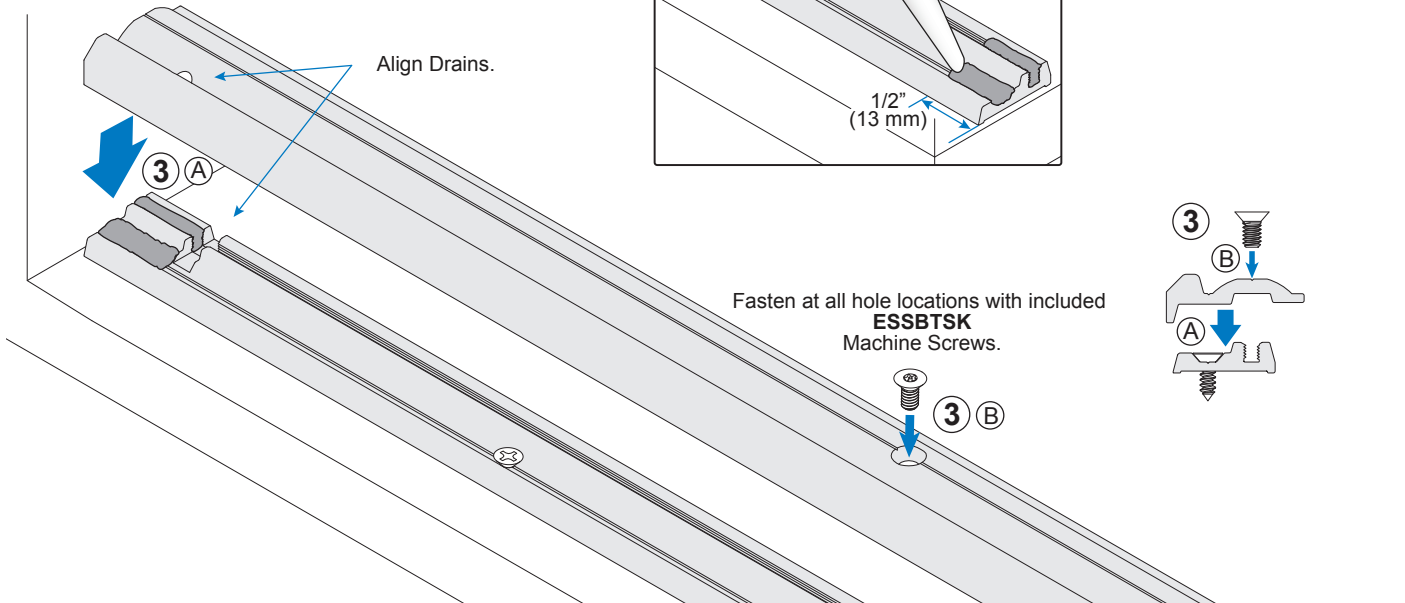
NOTE: Drill holes 6" (152 mm) from ends and 12" (305 mm) maximum in between.

② Seal 1/2" (13 mm) at each end.



Install Bottom Track

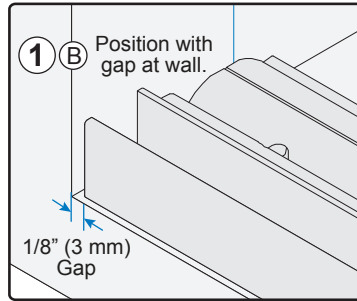
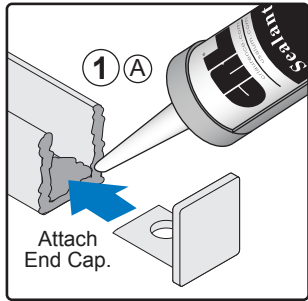
③ Install Bottom Track.



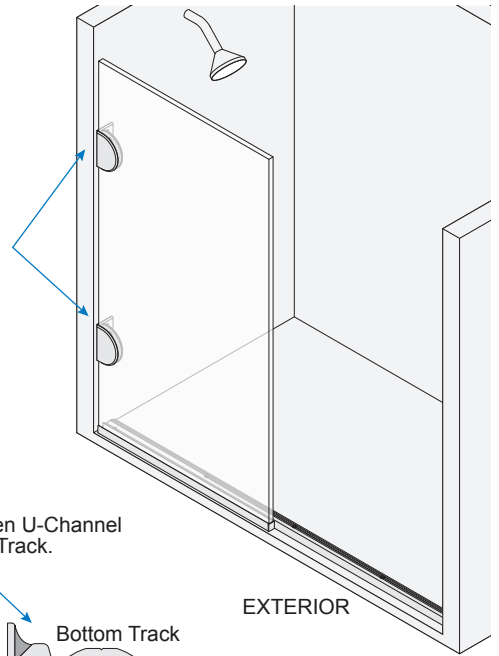
FRAME INSTALLATION (CONTINUED)

Install U-Channel

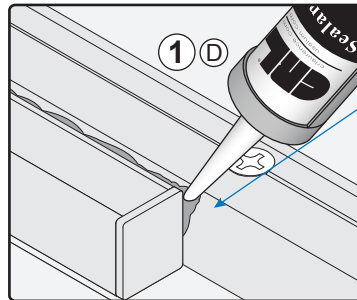
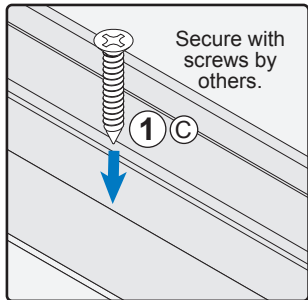
- 1 Attach End Cap to U-Channel and mount 1/8" (3 mm) from wall.



NOTE: Wall Brackets not included. CL90S_ shown as example only.



NOTE: Use fasteners suitable for substrate. Space 6" (152 mm) from ends and 12" (305 mm) maximum in between.



Seal and tool between U-Channel and Bottom Track.

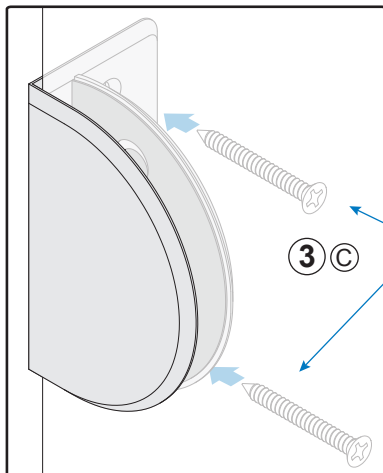


Install Fixed Panel

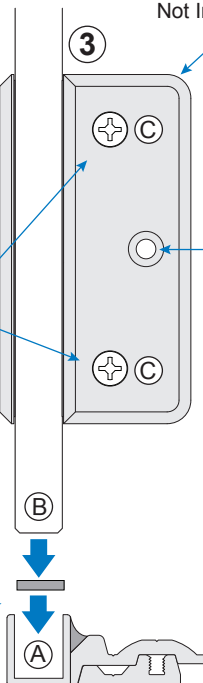
- 2 Attach Wall Brackets to Fixed Panel.

Follow Installation Instructions included with Wall Brackets. NOTE: Wall Brackets not included.

- 3 Install Fixed Glass Panel in U-Channel and secure to wall.

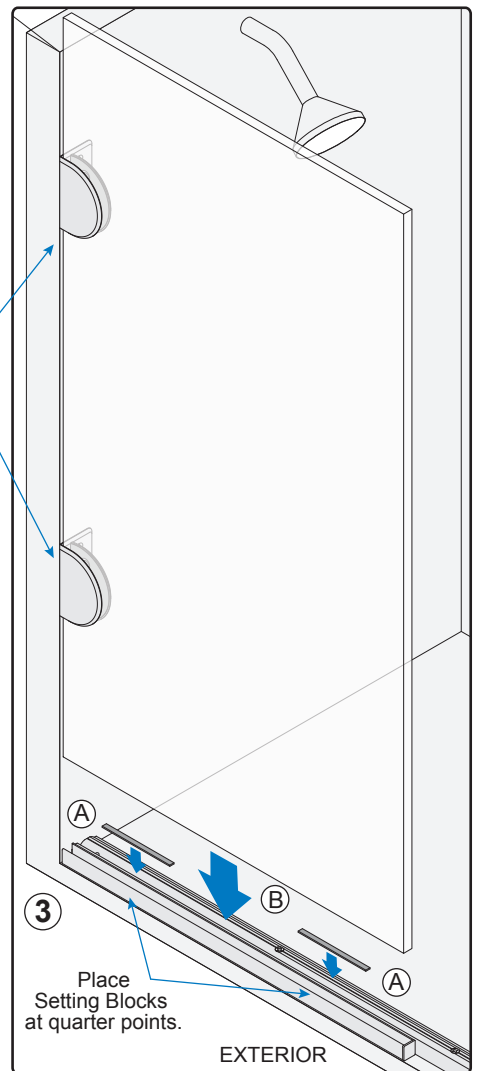


Secure Wall Bracket to wall at top and bottom holes.



CL90S_ Wall Mounts Not Included.

See Page 11 to confirm center hole can be used to install Bumpers.

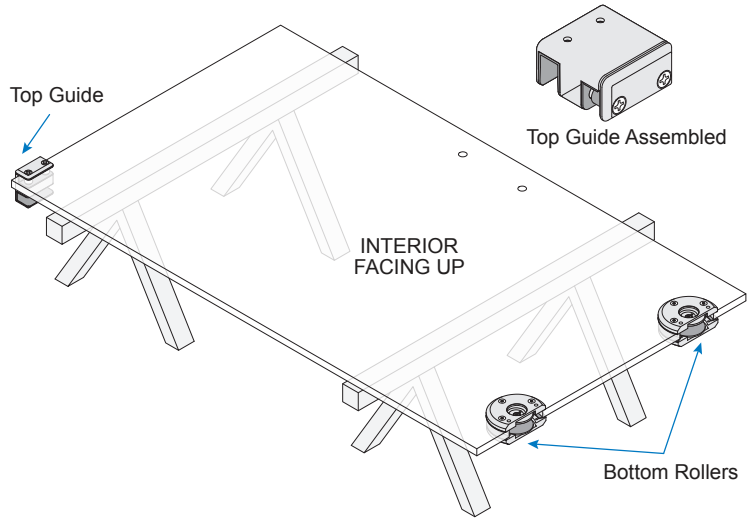
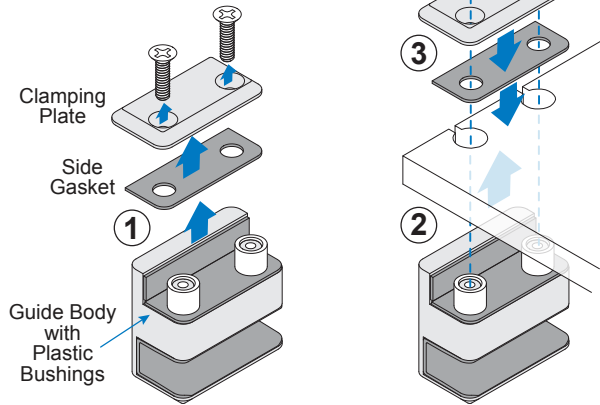


NOTE: Place Setting Blocks in U-Channel at quarter points before setting glass. (Setting Blocks not included)

SLIDING DOOR ASSEMBLY

Install Top Guide

- ① Unpack Top Guide and remove Clamping Plate and Side Gasket.
- ② Fit Guide Body with Plastic Bushings into holes in glass.
- ③ Secure Clamping Plate with Side Gasket to Guide Body.

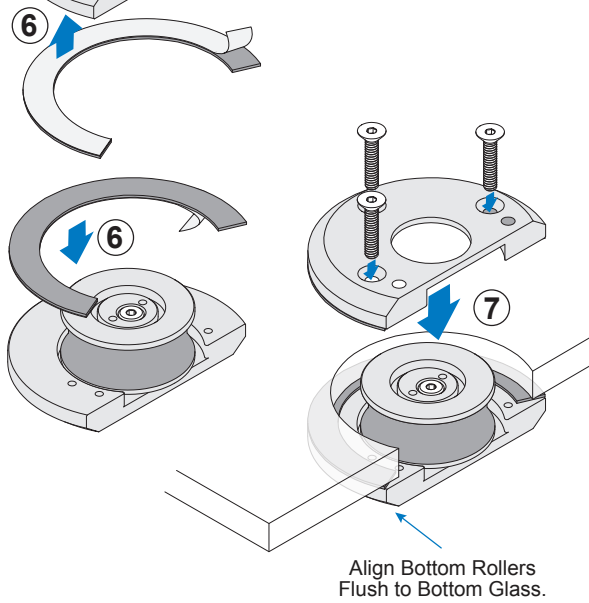
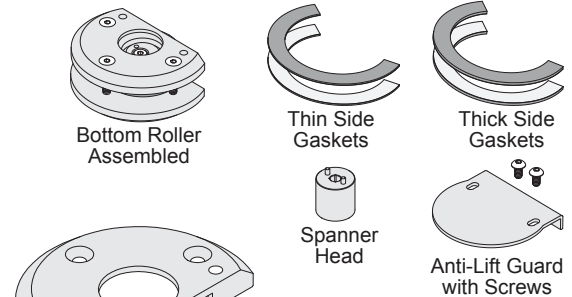
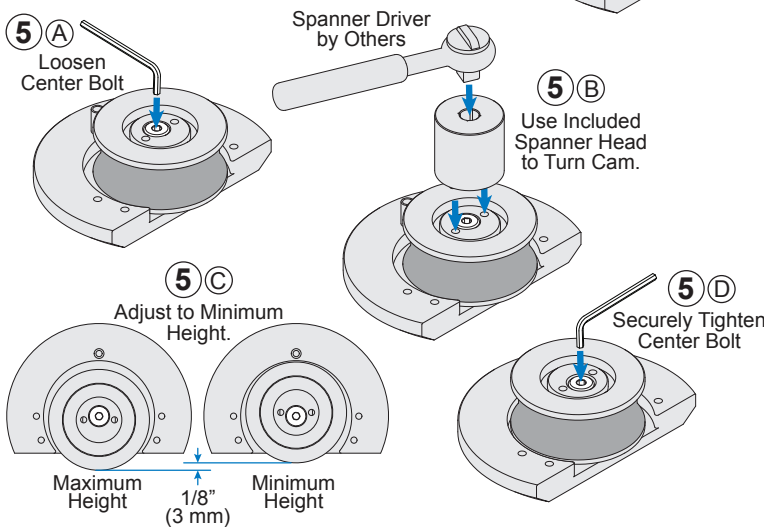


NOTE: Bottom Rollers packaged with two sets of side gaskets. Use the Thin Gaskets for 1/2" (12 mm) glass. Anti-Lift Guard is installed after door installation.

Install Bottom Rollers

- ④ Unpack Bottom Rollers and remove Clamping Plates.
- ⑤ Adjust wheel height and tighten.

NOTE: Loosen center bolt one full turn to adjust. Use included Spanner Head to rotate cam and raise wheel height +/- 1/8" (3 mm). Begin with wheel at minimum position. Tighten center bolt snugly to hold position.

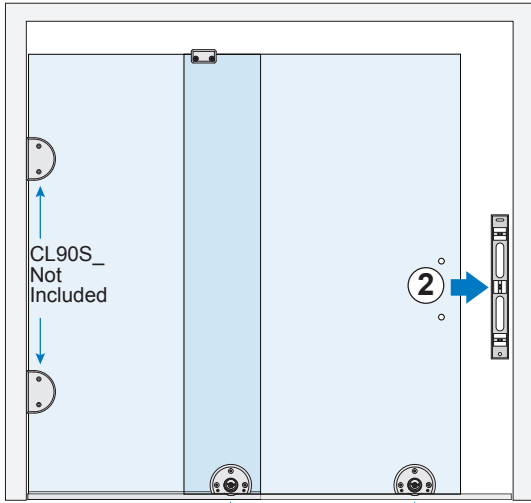


- ⑥ Remove protective liner from Side Gaskets. Install on Roller Body and Clamping Plate.
- ⑦ Fit Roller Body into hole in glass. Align Clamping Plate on other side and permanently tighten.

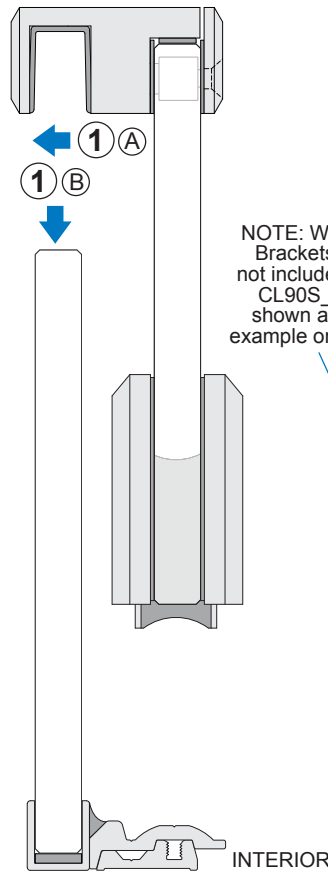
SLIDING DOOR INSTALLATION

Install Sliding Door

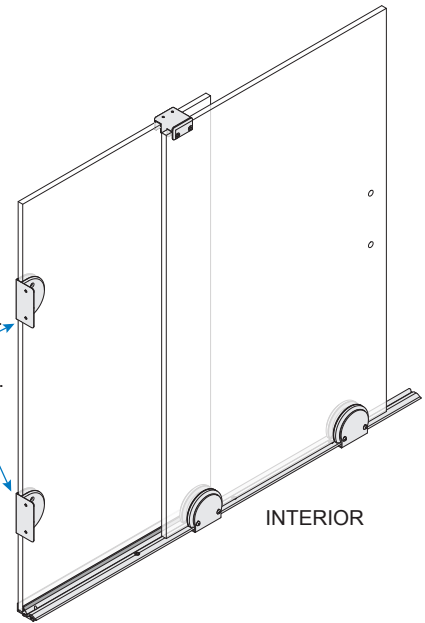
- ① Lift Sliding Door over Fixed Panel. Align Top Guide and lower onto Bottom Track.
- ② Test door and adjust as needed.



Slide door to wall and check vertical reveal. See Page 8 to adjust wheel height. Tighten securely when finished.



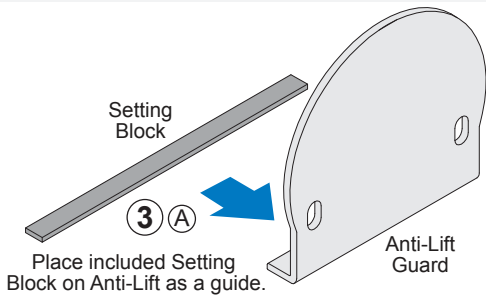
NOTE: Wall Brackets not included. CL90S_ shown as example only.



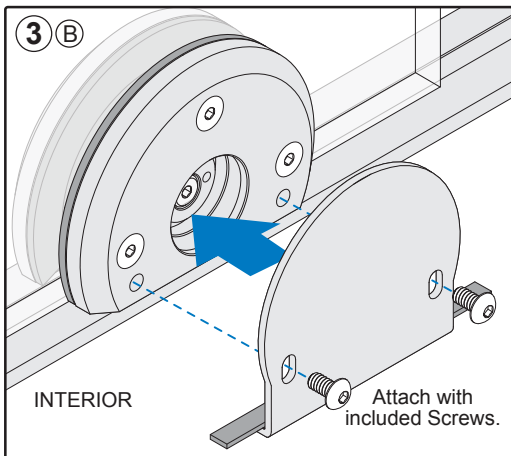
Install Anti-Lift Guides

- ③ Install Anti-Lift Guards on Rollers.

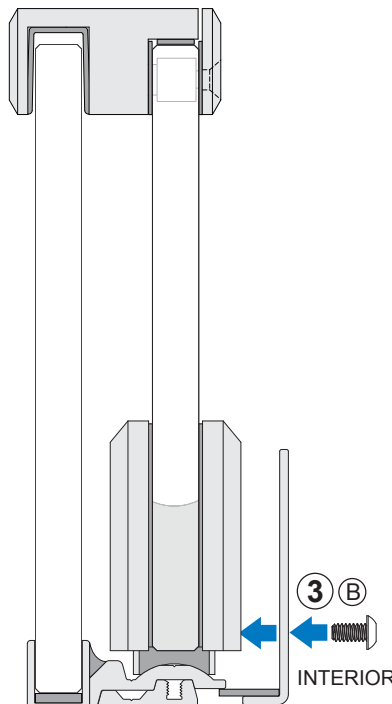
NOTE: The Anti-Lift Guard is installed with a 1/16" (1 mm) gap between the top of the guard and the bottom of the Bottom Track. Use included Setting Block as a guide for proper clearance.



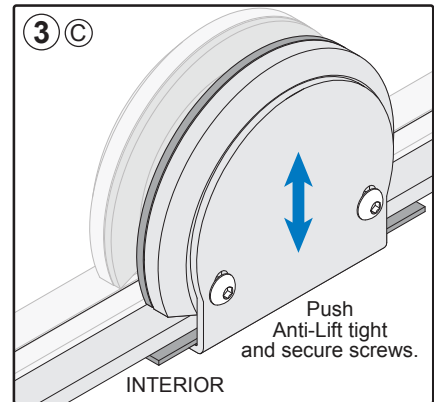
Place included Setting Block on Anti-Lift as a guide.



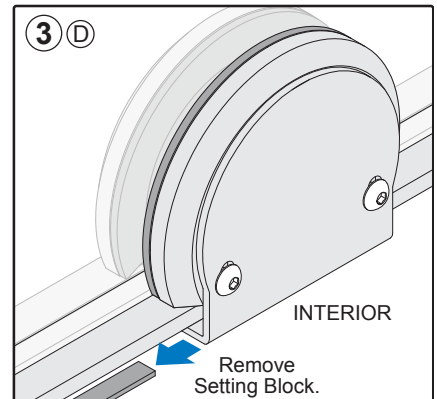
Attach with included Screws.



③ B



Push Anti-Lift tight and secure screws.

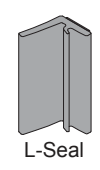
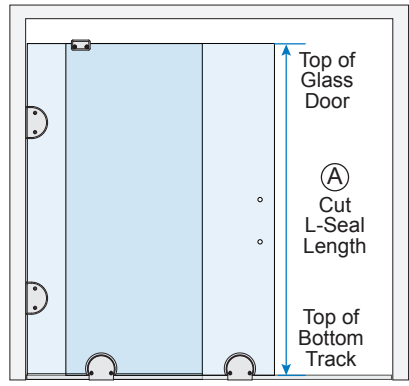
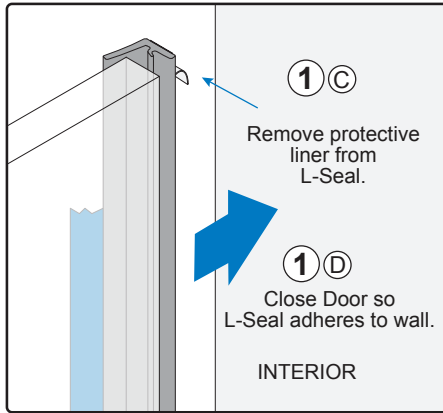
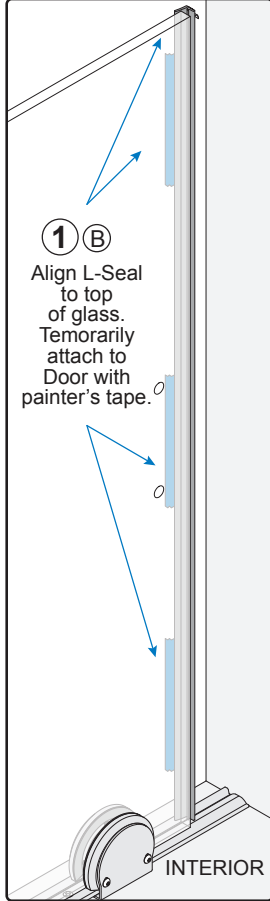


Remove Setting Block.

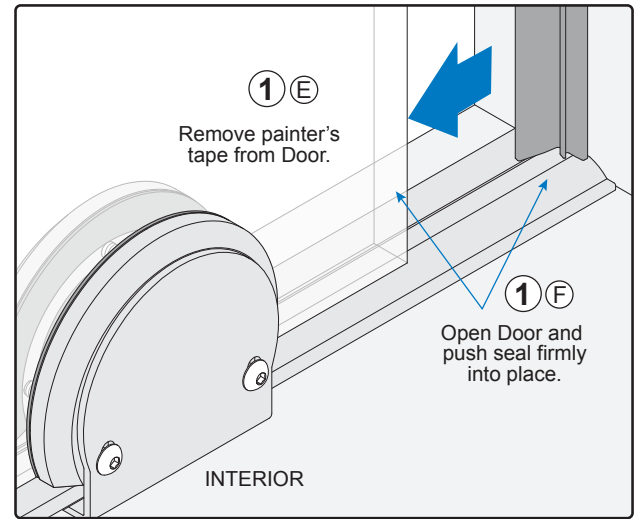
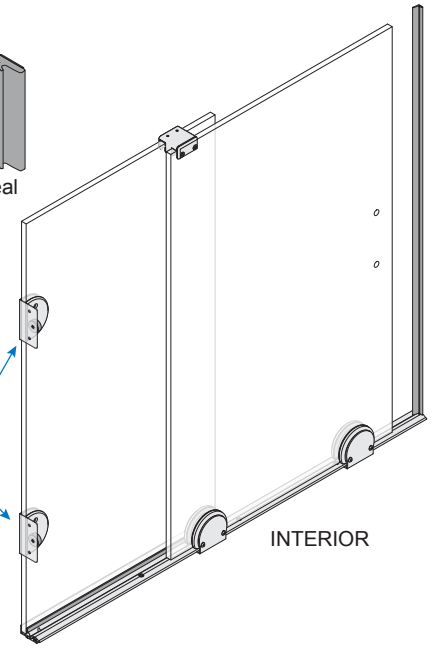
FINISHING Install L-Seal

1 Cut and install L-Seal.

NOTE: Temporarily attach L-Seal to Sliding Door and use as guide for final position.

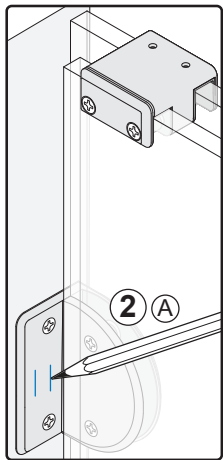


NOTE: Wall Brackets not included. CL90S_ shown as example only.

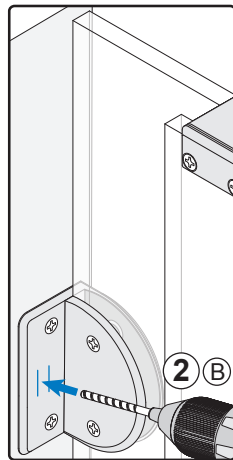


Install Bumpers

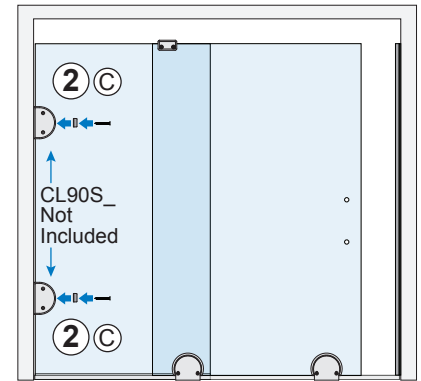
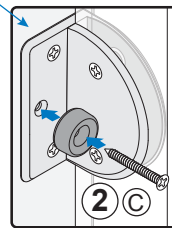
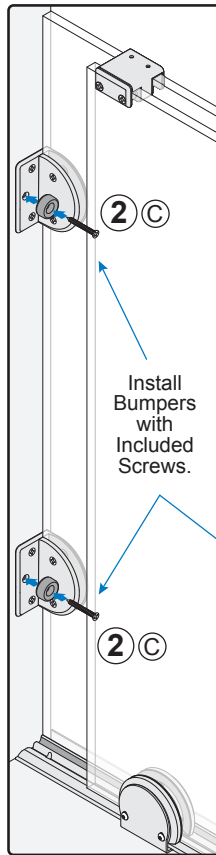
2 Install Bumpers at Wall Mounts.



Close Door to mark position for Bumpers.



Open Door to drill holes.



Position Bumpers to align with Sliding Door at Wall Brackets. Attach to wall.

NOTE: Wall Brackets not included. CL90S_ shown as example only. Some brackets may have holes predrilled.