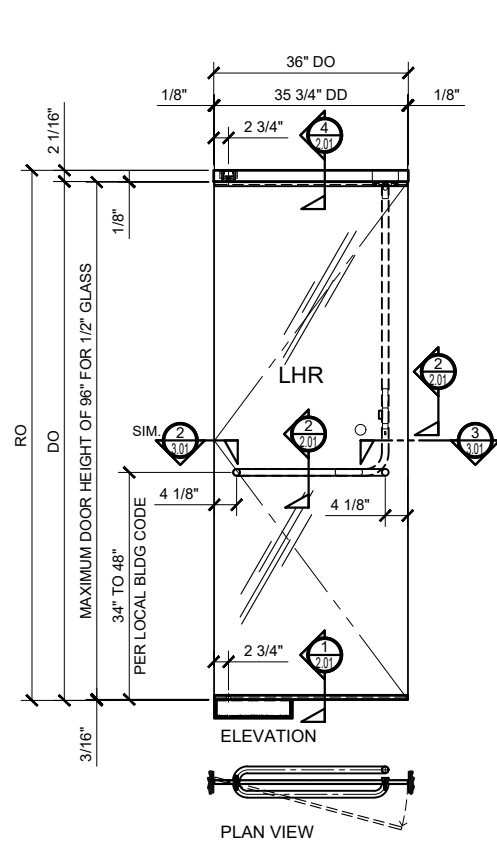
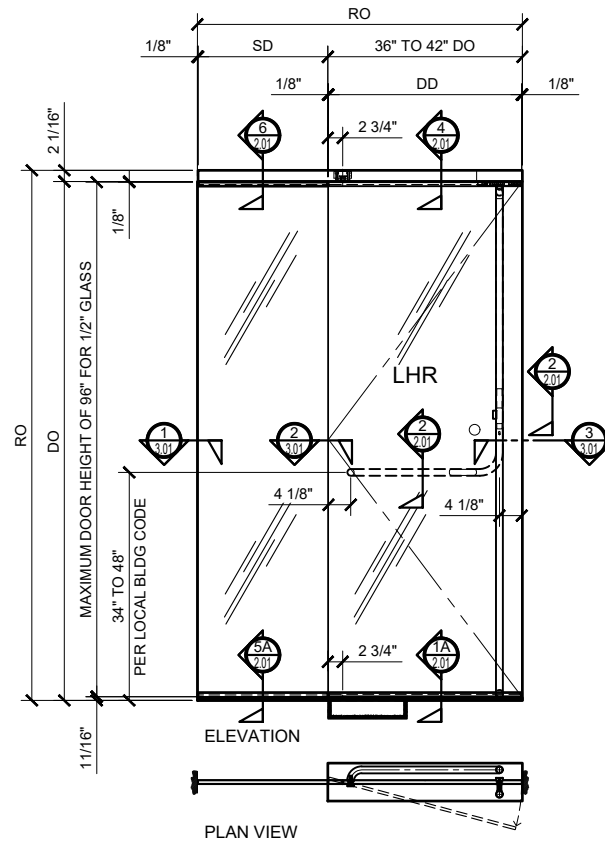




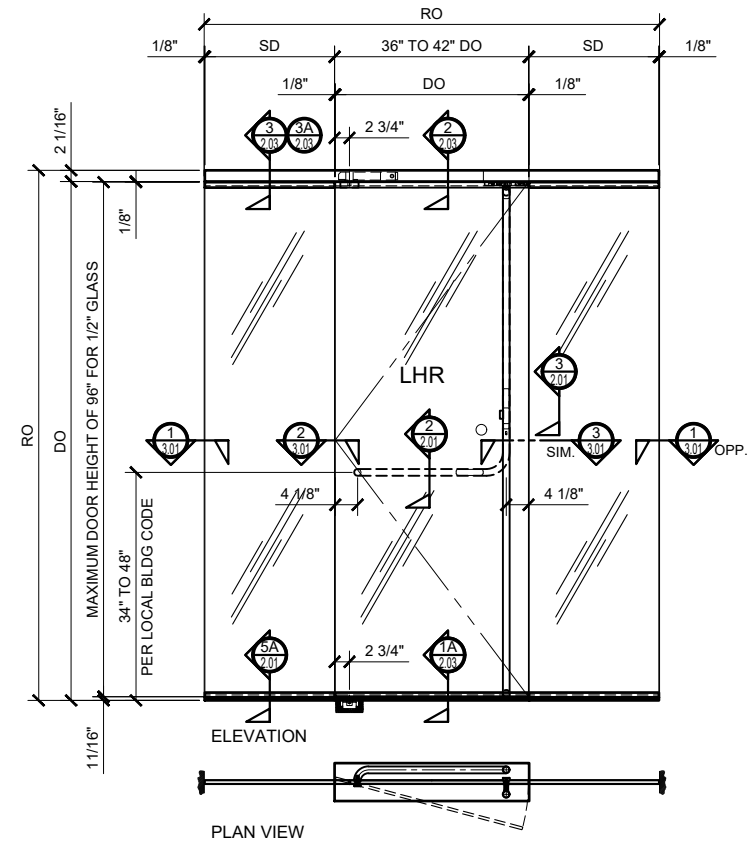
CRL BLUMCRAFT SERIES 1301 ENTRANCE SYSTEMS DOOR AND SIDELITES



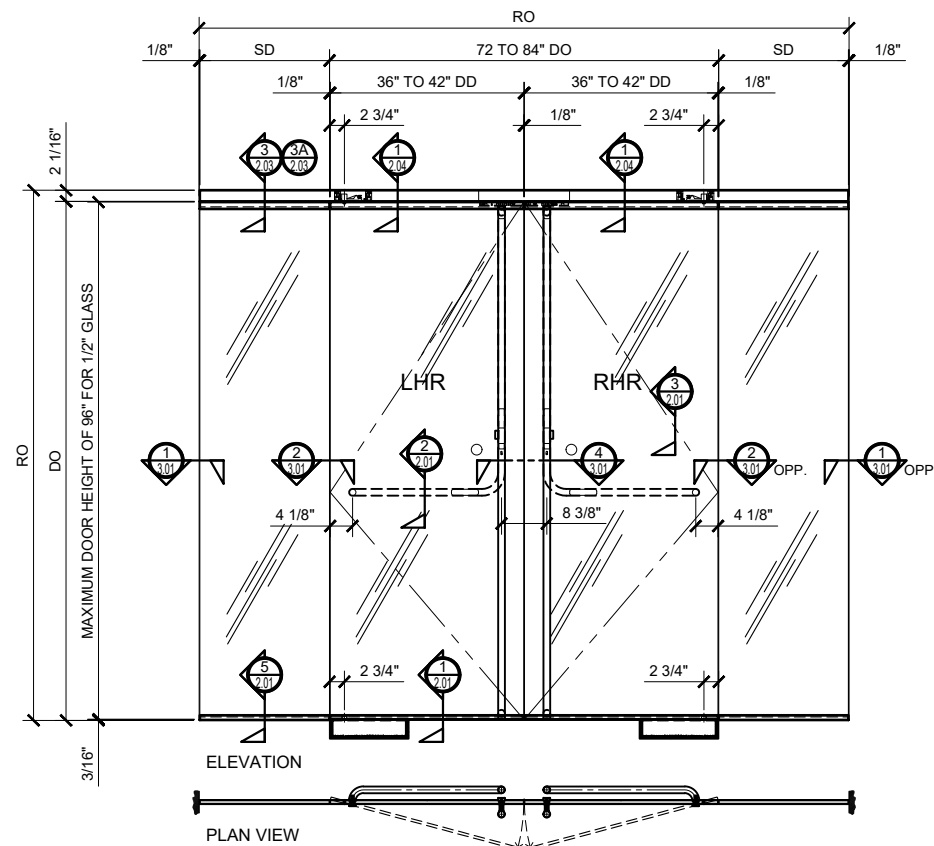
SINGLE DOOR
PA100A PANIC HANDLE
ADJUSTABLE PIVOT & BTS80 FLOOR CLOSER



SINGLE DOOR WITH SIDELITE
PA100F PANIC HANDLES
ADJUSTABLE PIVOT & BTS80 FLOOR CLOSER

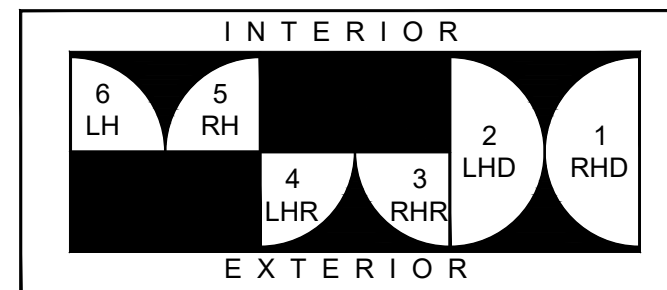


SINGLE DOOR WITH SIDELITE
PA100F PANIC HANDLES
OVERHEAD CONCEALED CLOSER & BOTTOM PIVOT



DOUBLE DOORS WITH SIDELITE
PA100F PANIC HANDLES
WALKING BEAM PIVOT & BTS80 FLOOR CLOSER

DOOR SWING CHART



STRUCTURAL DISCLAIMER:

ALL CUSTOMERS WHO IN ANY WAY UTILIZE THIS PRODUCT ARE SOLELY RESPONSIBLE TO CONSULT A STRUCTURAL ENGINEER TO DETERMINE THE SUITABILITY OF THE PRODUCT FOR THE INTENDED USE AND SITE CONDITIONS. ALL INSTALLERS MUST BE QUALIFIED AND HAVE PROFESSIONAL KNOWLEDGE ABOUT COMPLIANCE WITH LOCAL, STATE AND FEDERAL REGULATIONS, SAFETY FACTORS, AND THE APPROPRIATE CHOICE OF FIXING MATERIAL AND PROCEDURES.

"INDUSTRY STANDARD" DOOR STYLES AND SWINGING DOOR PATTERNS

THERE ARE THREE BASIC "ALL-GLASS" DOOR STYLES TYPICALLY REFERRED TO THROUGHOUT THE INDUSTRY APPLICABLE TO THE CRL SLENDER PROFILE DOOR RAIL SYSTEMS. BY IDENTIFYING YOUR BASIC DOOR STYLE AND SWING, IT WILL HELP MAKE CLEAR WHAT YOUR INTENTIONS ARE FOR THE PARTICULAR PROJECT. FOR MORE INFORMATION, PLEASE CONTACT OUR TECHNICAL SALES DEPARTMENT AT (800) 421-6144 IN THE U.S., (877) 421-6144 IN CANADA, OR (323) 588-1281 INTERNATIONALLY. ASK FOR EXT. 7700. YOU CAN SEND E-MAIL THROUGH THE crlaurence.com HOME PAGE. CLICK ON CONTACT US, AND THEN CLICK ON TECHNICAL SALES FOR COMMERCIAL PRODUCTS.

STANDARD ABBREVIATIONS

RO	ROUGH OPENING
FD	FRAME DIMENSION
DLO	DAYLIGHT OPENING
DO	DOOR OPENING
DD	DOOR DIMENSION
TD	TRANSOM DIMENSION
SD	SIDELITE DIMENSION
SMC	SURFACE MOUNTED CLOSER
OHCC	OVERHEAD CONCEALED CLOSER

Revisions By:

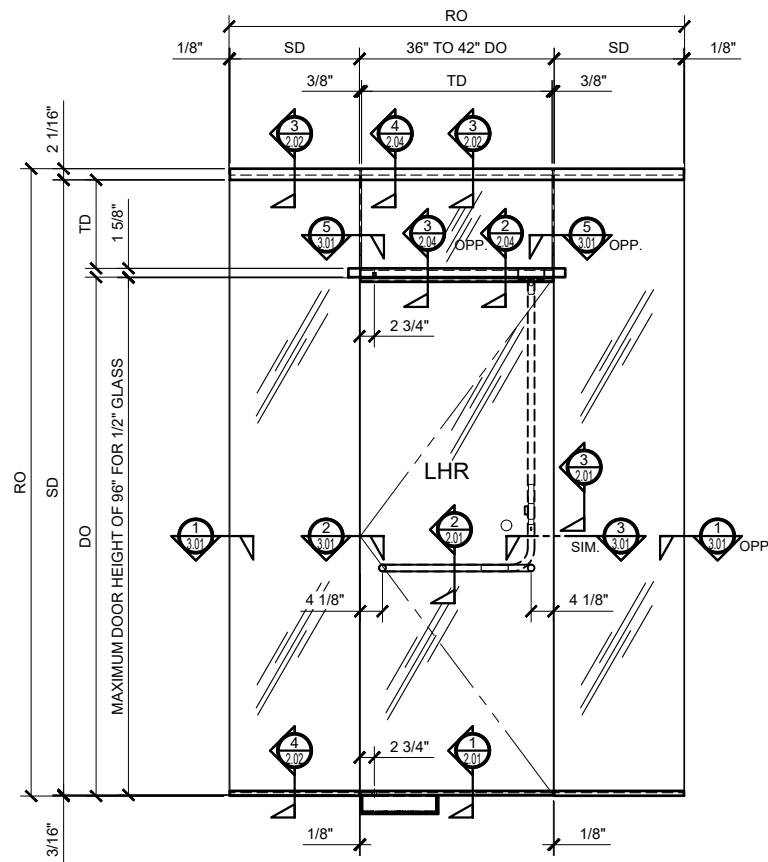


Description:
CRL / BLUMCRAFT
SERIES 1301 W/1/2", 5/8", 3/4"
GLASS ENTRANCE SYSTEMS
W/ PANIC HANDLES

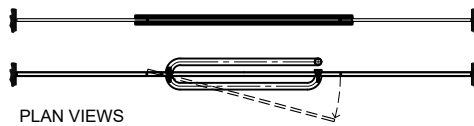
Drawn By: TGM
Date: 11/09/18
Scale: AS NOTED
File Name: 1301_Series_BC_Ent_Sys.dwg



CRL BLUMCRAFT SERIES 1301 ENTRANCE SYSTEMS DOOR AND SIDELITES

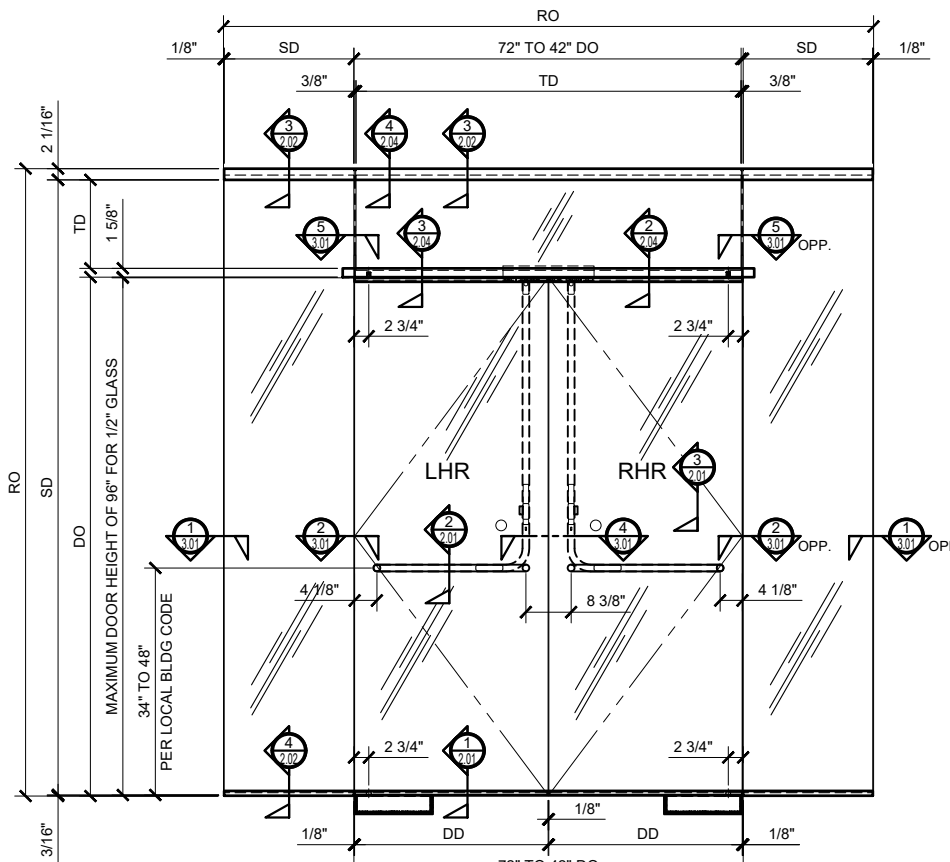


ELEVATION

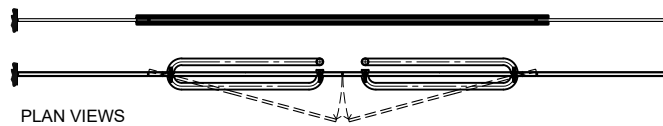


PLAN VIEWS

SINGLE DOOR WITH SIDELITE
PA100A PANIC HANDLE
ADJUSTABLE PIVOT & BTS80 FLOOR CLOSER



ELEVATION



PLAN VIEWS

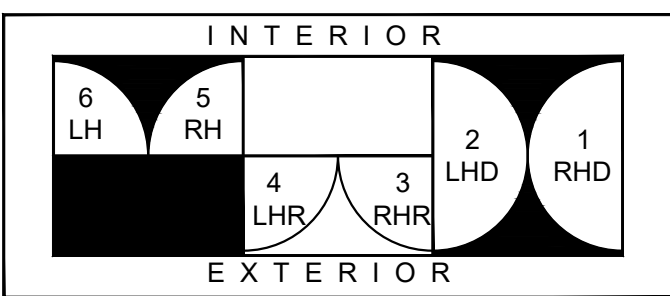
SINGLE DOOR WITH SIDELITES
PA100A PANIC HANDLES
ADJUSTABLE PIVOT & BTS80 FLOOR CLOSER

STANDARD DOOR WIDTH & HEIGHT GUIDELINES	
1/2" (12mm) TEMPERED GLASS = 42" x 96"	RECOMENDED MAX HEIGHT 42" x 108" WITH EXTERIOR "F" STYLE HANDLE
3/4" (19mm) TEMPERED GLASS = 42" x 102"	RECOMENDED MAX HEIGHT 42" x 108" WITH EXTERIOR "F" STYLE HANDLE

- * FULLY GLAZED WITH 1/2", 5/8" OR 3/4" (12.16 OR 19MM) TEMPERED GLASS
- * SOLID STAINLESS STEEL OR BRONZE RAIL CONSTRUCTION
- * RAILS AS SLIM AS 3/4" x 3/4" (19 x 19MM), TOP RAIL SIZES VARY BASED ON DOOR HARDWARE
- * COMPLETE WITH EGRESS HANDLE IF REQUIRED
- * BRUSHED, POLISHED AND OIL RUBBED (BRONZE) FINISHES AVAILABLE
- * STD 1301 SERIES SYSTEM INCLUDES C7500 HEAD W/ ADJUSTABLE TOP PIVOT & CUSTOM FLORR CLOSER
- * HEADERS COMPATIBLE WITH OVERHEAD CONCEALED CLOSER AND CUSTOM BOTTOM PIVOT
- * 1 3/4", 2", 4", 4 1/2" & 6" HEADER ARE AVAILABLE TO MEET DESIGN REQUIREMENTS
- * FULLY GLAZED SIDELITES TO MATCH RAILS ARE AVAILABLE

"INDUSTRY STANDARD" DOOR STYLES AND SWINGING DOOR PATTERNS

THERE ARE THREE BASIC "ALL-GLASS" DOOR STYLES TYPICALLY REFERRED TO THROUGHOUT THE INDUSTRY APPLICABLE TO THE CRL SLENDER PROFILE DOOR RAIL SYSTEMS. BY IDENTIFYING YOUR BASIC DOOR STYLE AND SWING, IT WILL HELP MAKE CLEAR WHAT YOUR INTENTIONS ARE FOR THE PARTICULAR PROJECT. FOR MORE INFORMATION, PLEASE CONTACT OUR TECHNICAL SALES DEPARTMENT AT (800) 421-6144 IN THE U.S., (877) 421-6144 IN CANADA, OR (323) 588-1281 INTERNATIONAL. ASK FOR EXT. 7700. YOU CAN SEND E-MAIL THROUGH THE crlaurence.com HOME PAGE. CLICK ON CONTACT US, AND THEN CLICK ON TECHNICAL SALES FOR COMMERCIAL PRODUCTS.



STANDARD ABBREVIATIONS	
RO	ROUGH OPENING
FD	FRAME DIMENSION
DLO	DAYLIGHT OPENING
DO	DOOR OPENING
DD	DOOR DIMENSION
TD	TRANSOM DIMENSION
SD	SIDELITE DIMENSION
SMC	SURFACE MOUNTED CLOSER
OHCC	OVERHEAD CONCEALED CLOSER

Revisions By:

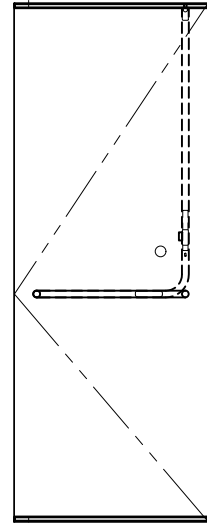
C.R. LAURENCE CO. ARCHITECTURAL PRODUCTS
2503 E. Vernon Avenue, Los Angeles, CA 90058-1897
PH: (800) 421-6144 FAX: (800) 887-7501 www.crlaurence.com

Description:
CRL / BLUMCRAFT
SERIES 1301 W/1/2", 5/8", 3/4"
GLASS ENTRANCE SYSTEMS
W/ PANIC HANDLES

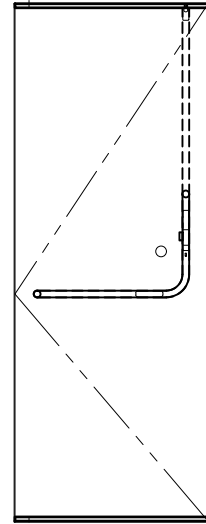
Drawn By: TGM
Date: 11/09/18
Scale: AS NOTED
File Name: 1301_Series_BC_Ent_Sys.dwg
Sheet
1.02



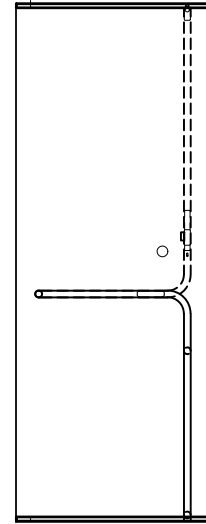
**CRL BLUMCRAFT SERIES 1301 ENTRANCE SYSTEMS
DOOR AND PANIC HANDLES**



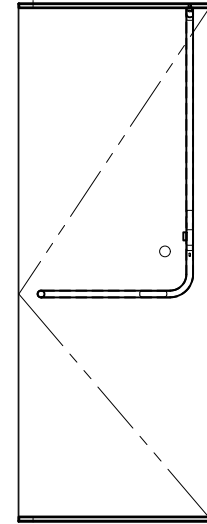
PA100A STYLE



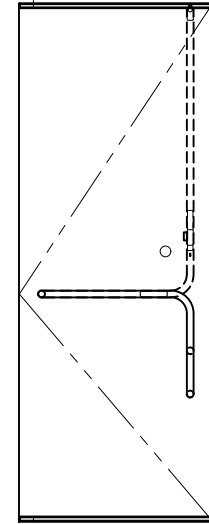
PA100B STYLE



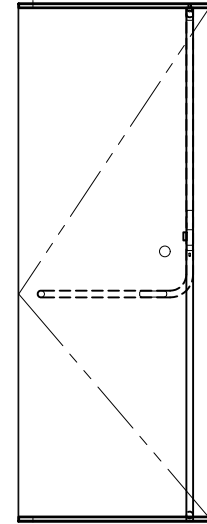
PA100C STYLE



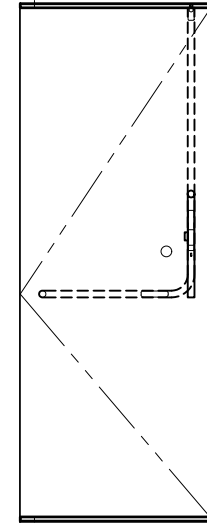
PA100D STYLE



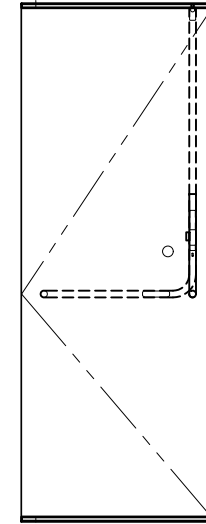
PA100E STYLE



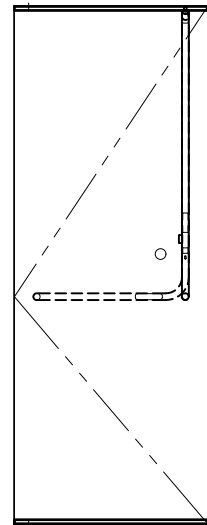
PA100F STYLE



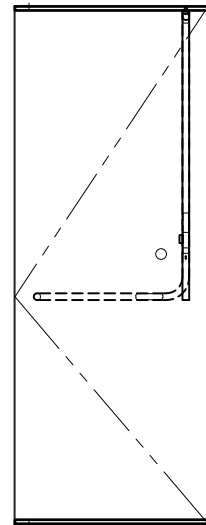
PA100G STYLE



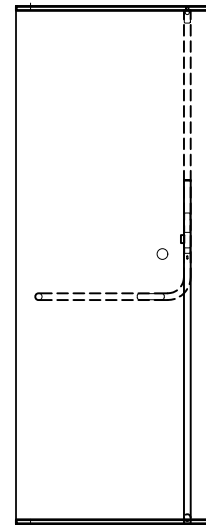
PA100H STYLE



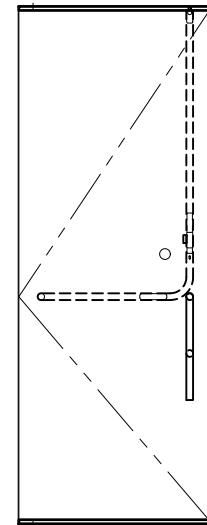
PA100J STYLE



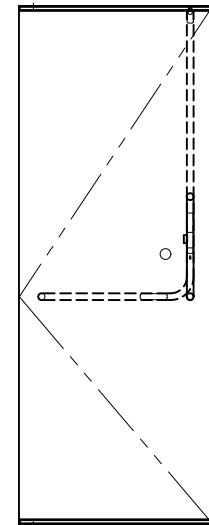
PA100JS STYLE



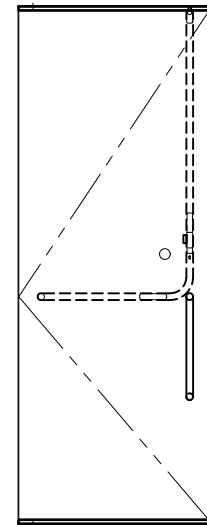
PA100MS STYLE



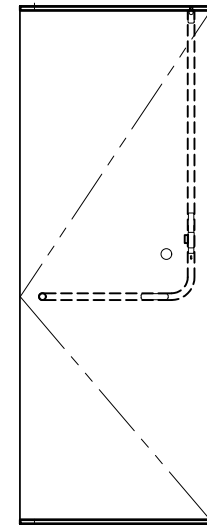
PA100P STYLE



PA100X STYLE



PA100Y STYLE



PA100Z STYLE

EXTERIOR ELEVATIONS - TYPICAL PA100 PANIC HANDLE STYLES

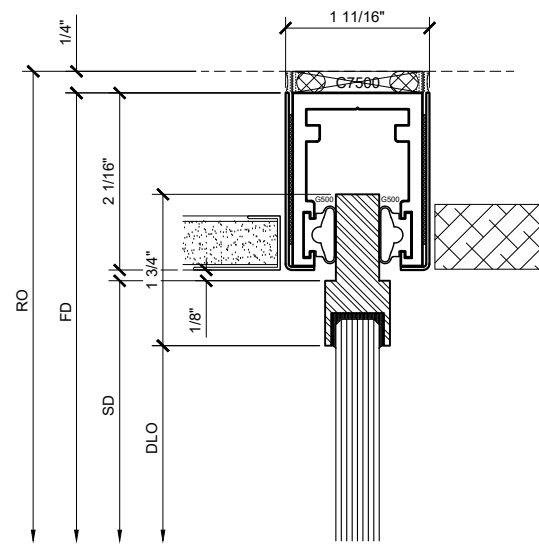
Revisions By:



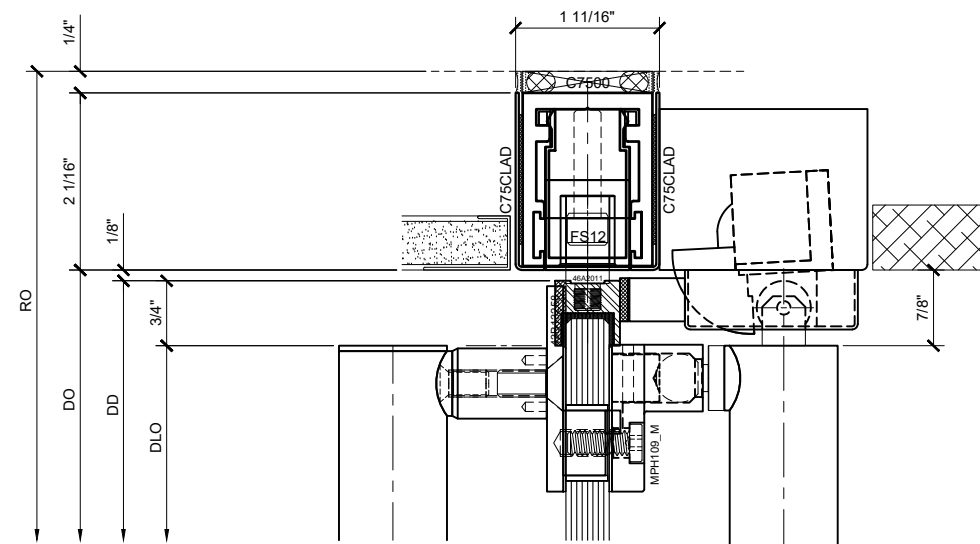
Description:
CRL / BLUMCRAFT
SERIES 1301 W/1/2", 5/8", 3/4"
GLASS ENTRANCE SYSTEMS
W/ PANIC HANDLES

Drawn By: TGM
Date: 11/09/18
Scale: AS NOTED
File Name:
1301_Series_BC_Ent_Sys.dwg

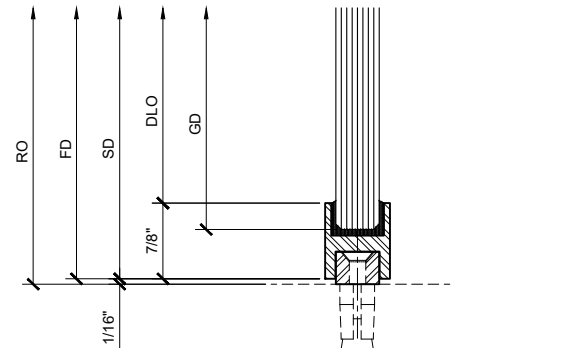
Sheet
1.03



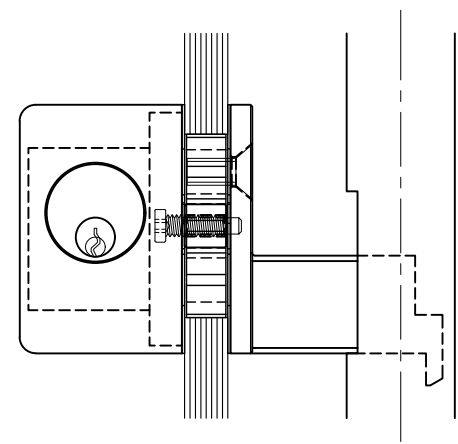
⑥ SIDELITE HEAD DETAIL (3/4" TOPHAT)
 ARCH REF: NONE 1'-0"=1'-0"



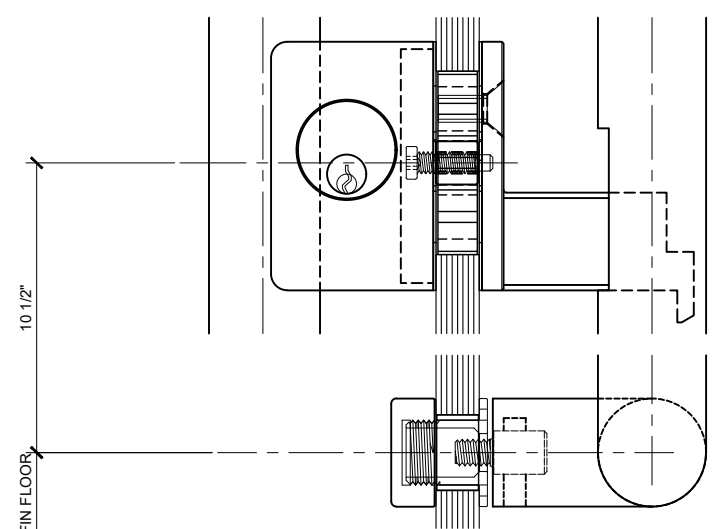
④ DOOR HEAD DETAIL
 ARCH REF: NONE 1'-0"=1'-0"



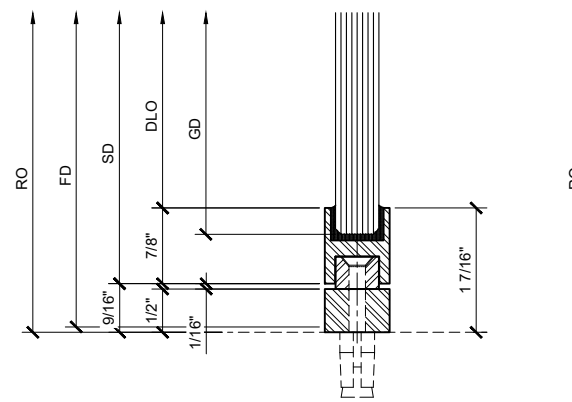
⑤ SIDELITE SILL DETAIL
 ARCH REF: NONE 1'-0"=1'-0"



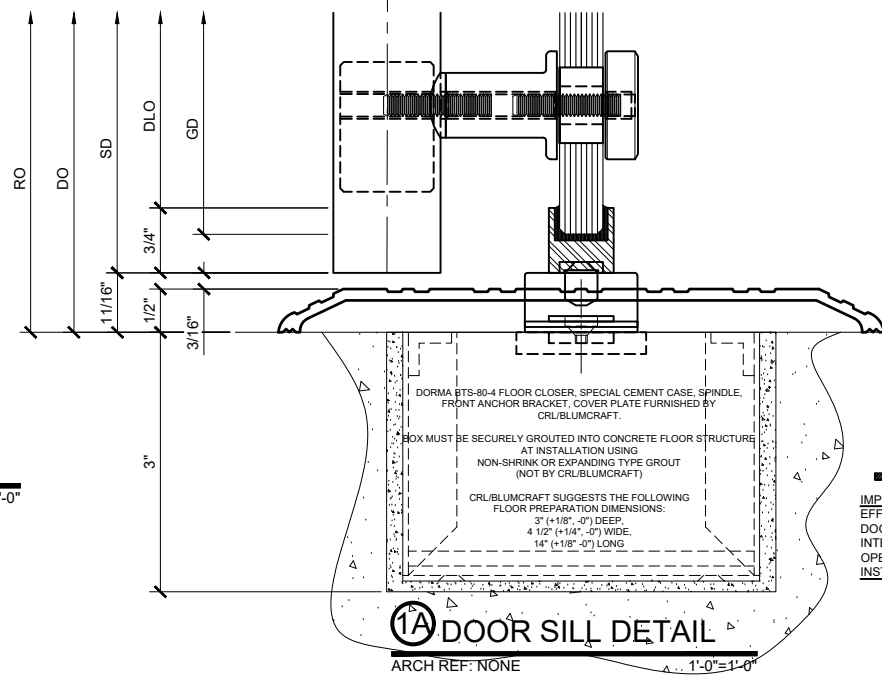
③ KEYED PANIC ACTUATOR DETAIL
 ARCH REF: NONE 1'-0"=1'-0"



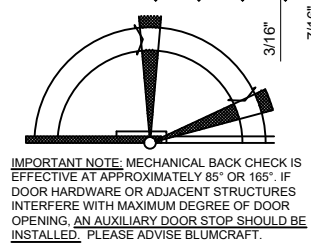
② PANIC HANDLE W/ KEYED ACTUATOR DETAIL
 C7500 / 1301 DOOR 1/2" GLS / PA100 1'-0"=1'-0"



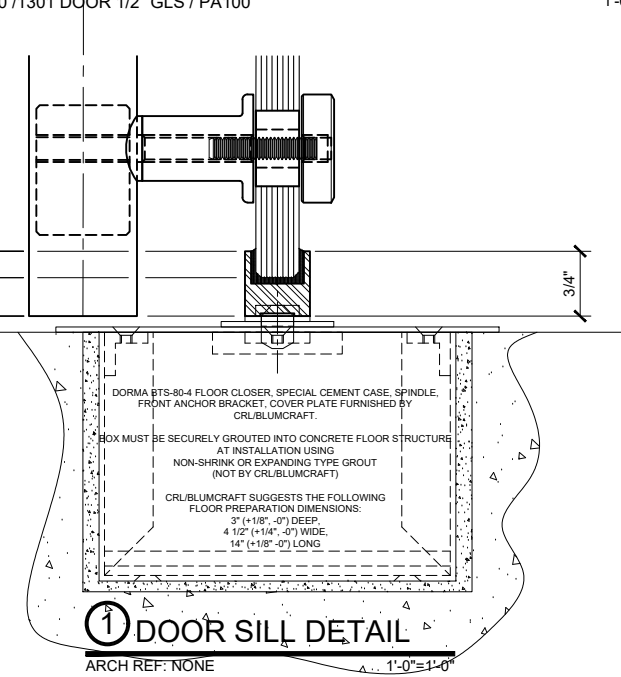
⑤A SIDELITE SILL DETAIL
 ARCH REF: NONE 1'-0"=1'-0"



①A DOOR SILL DETAIL
 ARCH REF: NONE 1'-0"=1'-0"

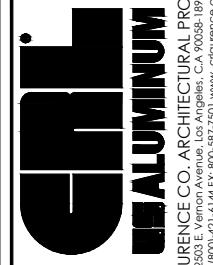


IMPORTANT NOTE: MECHANICAL BACK CHECK IS EFFECTIVE AT APPROXIMATELY 85° OR 165°. IF DOOR HARDWARE OR ADJACENT STRUCTURES INTERFERE WITH MAXIMUM DEGREE OF DOOR OPENING, AN AUXILIARY DOOR STOP SHOULD BE INSTALLED. PLEASE ADVISE BLUMCRAFT.



① DOOR SILL DETAIL
 ARCH REF: NONE 1'-0"=1'-0"

Revisions By:

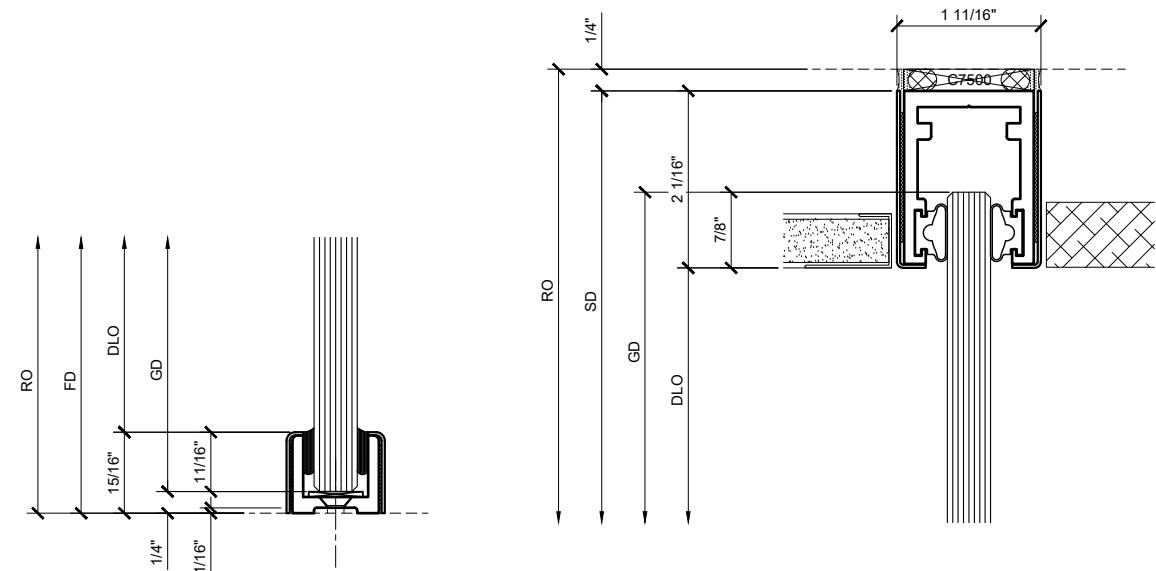


C.R. LAURENCE CO. ARCHITECTURAL PRODUCTS
 2503 E. Vernon Avenue, Los Angeles, CA 90058-1897
 PH: (800) 421-6144 FX: (800) 857-7501 WWW: crlalum.com

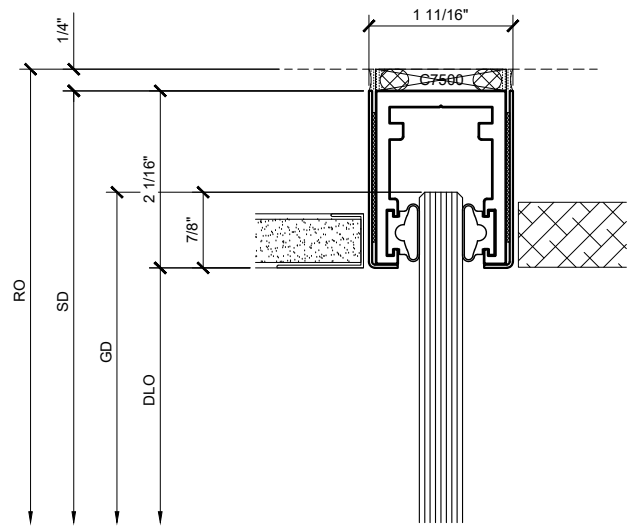
Description:
 CRL / BLUMCRAFT
 SERIES 1301 W/1/2", 5/8", 3/4"
 GLASS ENTRANCE SYSTEMS
 W/ PANIC HANDLES

Drawn By: TGM
 Date: 11/09/18
 Scale: AS NOTED
 File Name: 1301_Series_BC_Ent_Sys.dwg

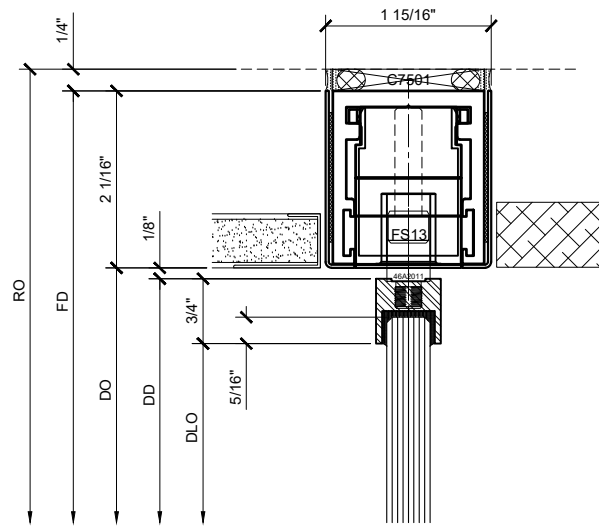
Sheet
2.01



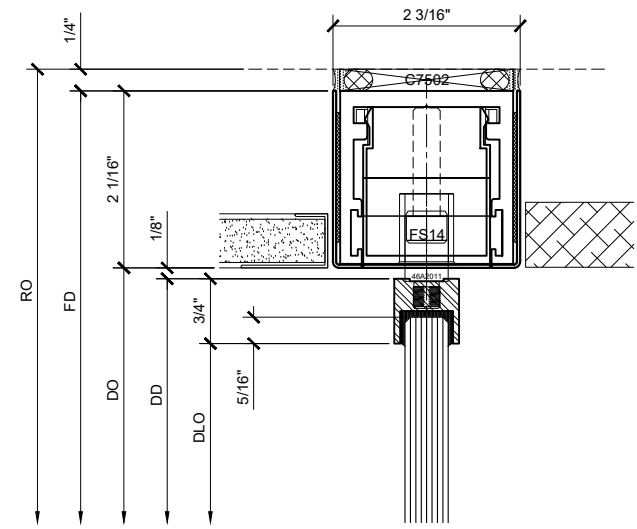
④ WET GLAZE SIDELITE SILL DETAIL
 ARCH REF: NONE 1'-0\"/>



③ SIDELITE HEAD DETAIL
 ARCH REF: NONE 1'-0\"/>

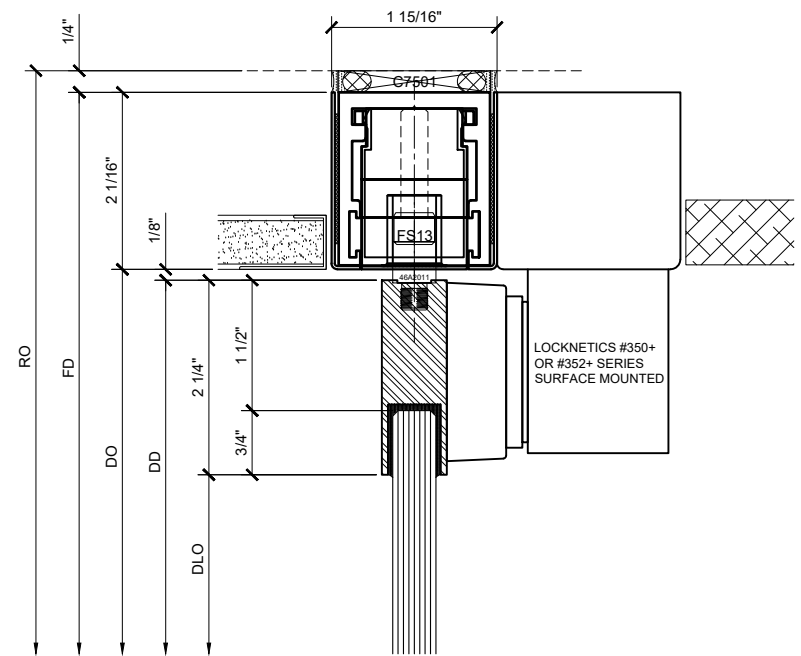


② OPTIONAL HEAD DETAIL
 ARCH REF: NONE 1'-0\"/>



① OPTIONAL HEAD DETAIL
 ARCH REF: NONE 1'-0\"/>

OPTIONAL BLUMCRAFT 1301 SERIES HEAD DETAILS FOR AJUSTABLE TOP PIVOTS

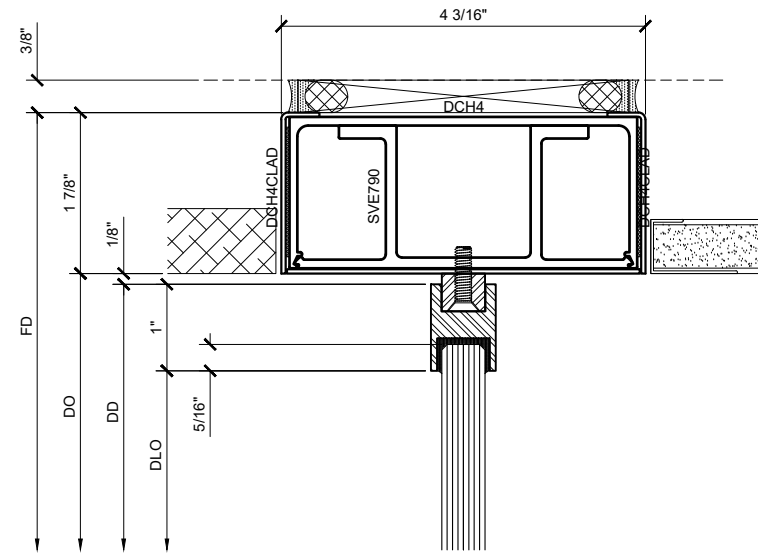


⑤ OPTIONAL MAG - LOCK HEAD DETAIL
 ARCH REF: NONE 1'-0\"/>

OPTIONAL BLUMCRAFT 1301 SERIES 2 1/4\"/>

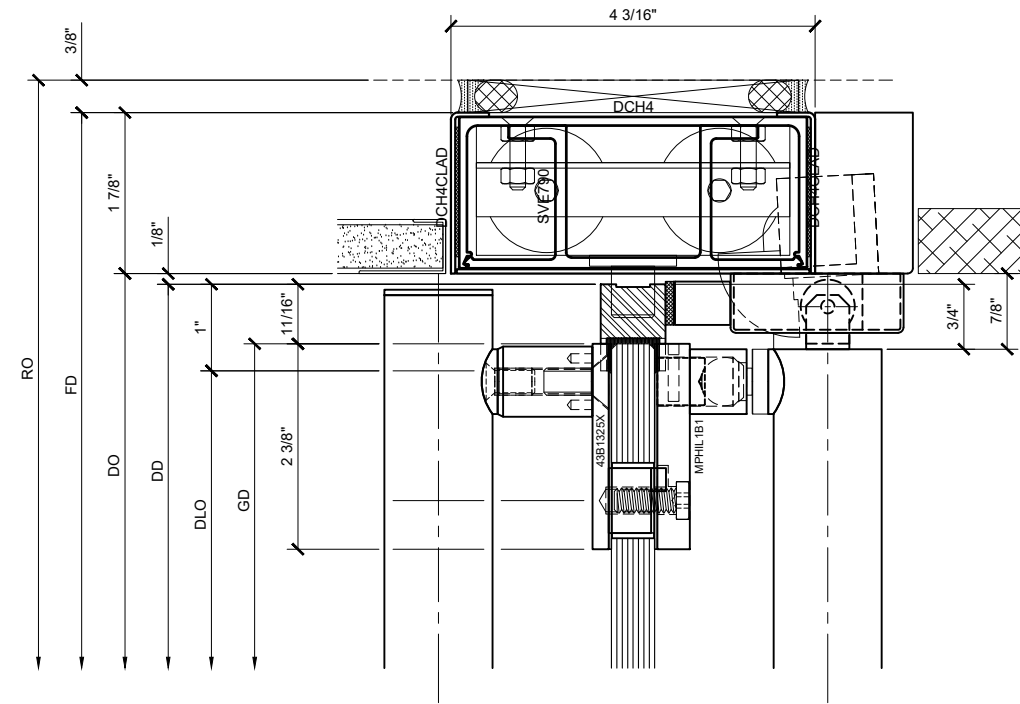
Description:
 CRL / BLUMCRAFT
 SERIES 1301 W/1/2\"/>

Drawn By: TGM
 Date: 11/09/18
 Scale: AS NOTED
 File Name:
 1301_Series_BC_Ent_Sys.dwg



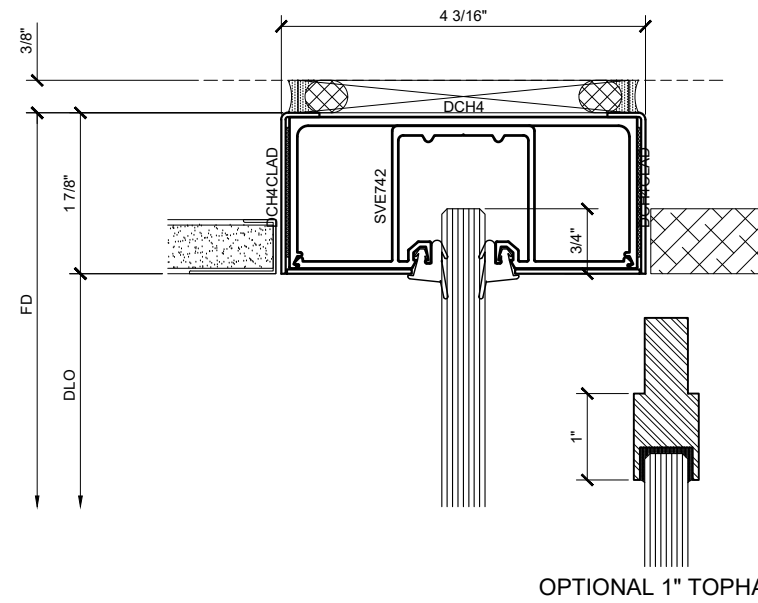
③ SIDELITE HEAD DETAIL

ARCH REF: NONE 1'-0"=1'-0"



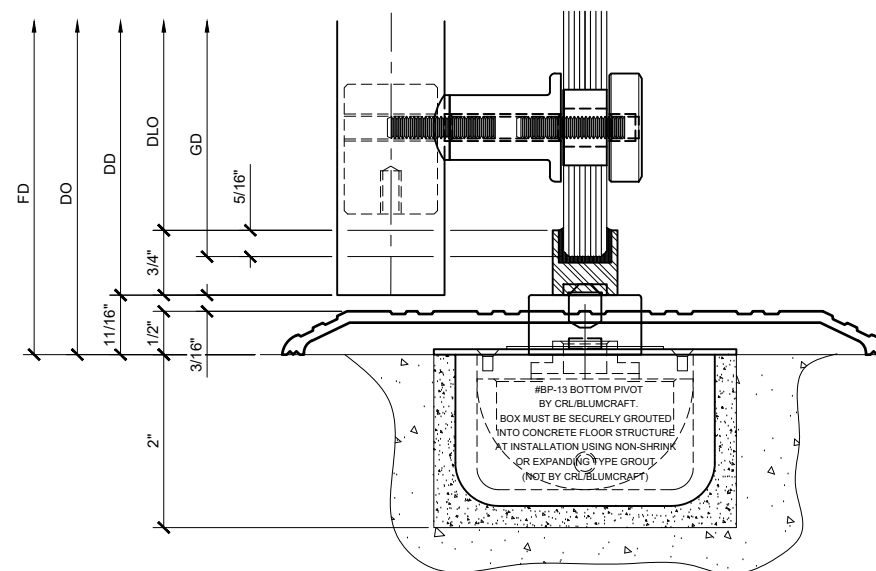
② OHCC / PANIC HANDLE HEAD DETAIL

ARCH REF: NONE 1'-0"=1'-0"



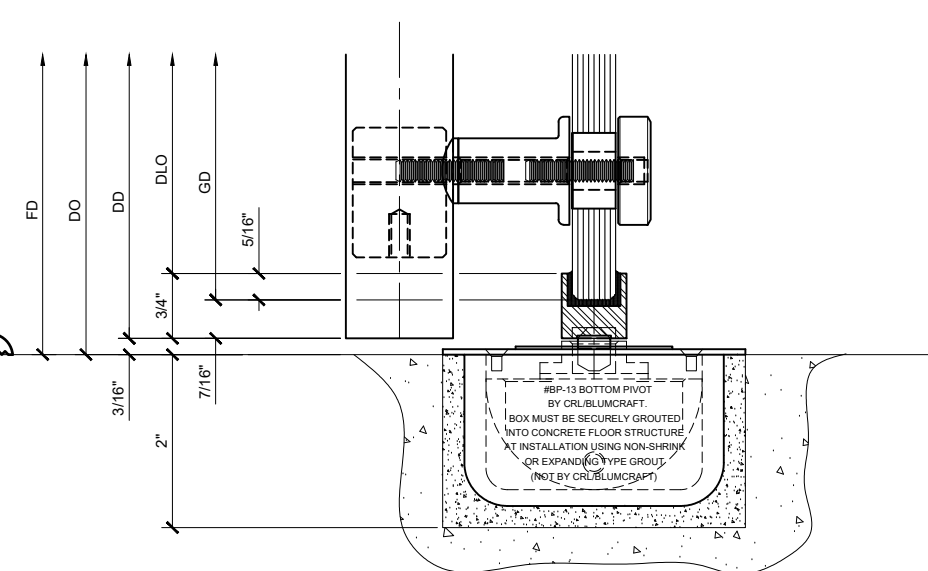
③A OPTIONAL SIDELITE HEAD DETAIL

ARCH REF: NONE 1'-0"=1'-0"



①A DOOR SILL DETAIL

ARCH REF: NONE 1'-0"=1'-0"



① DOOR SILL DETAIL

ARCH REF: NONE 1'-0"=1'-0"

BLUMCRAFT 1301 SERIES OVERHEAD CONCEALED CLOSER DETAILS

Revisions By:

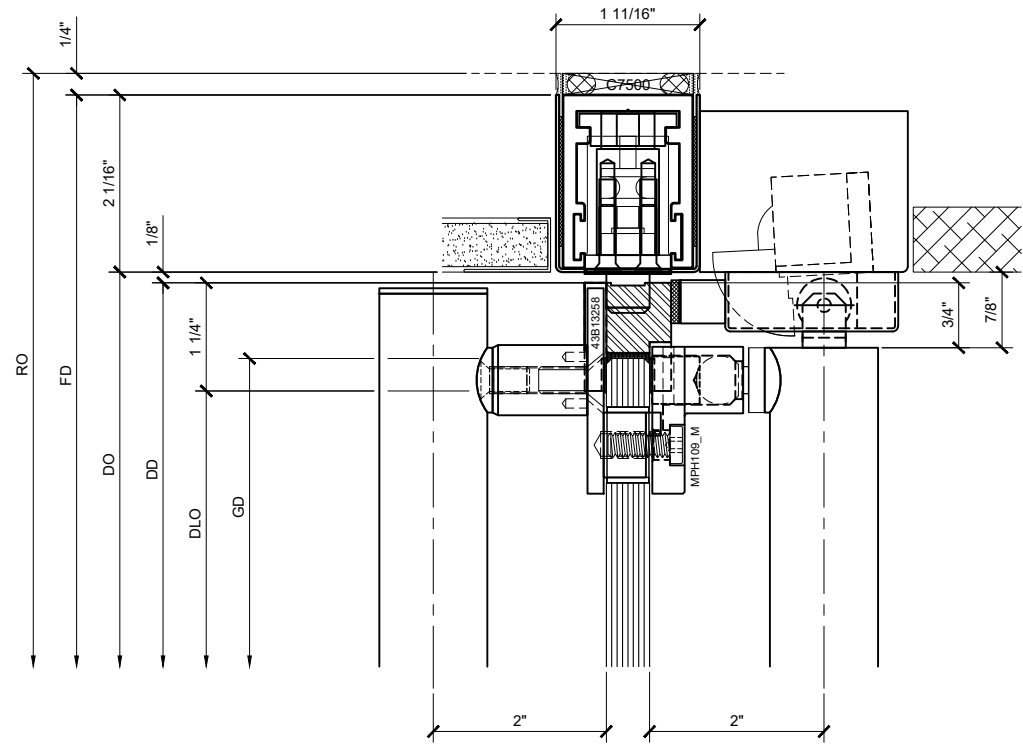


C.R. LAURENCE CO. ARCHITECTURAL PRODUCTS
2503 E. Vernon Avenue, Los Angeles, CA 90058-1897
PH (800) 421-6144 FX (800) 857-7501 www.crlalum.com

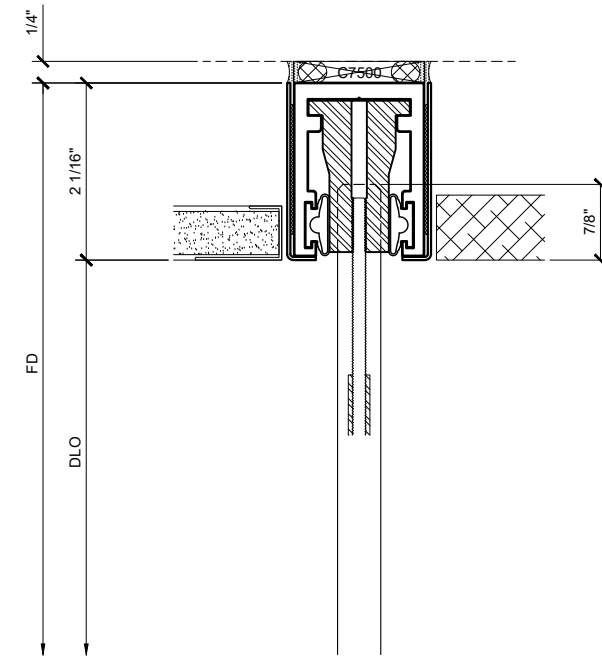
Description:
CRL / BLUMCRAFT
SERIES 1301 W/1/2", 5/8", 3/4"
GLASS ENTRANCE SYSTEMS
W/ PANIC HANDLES

Drawn By: TGM
Date: 11/09/18
Scale: AS NOTED
File Name:
1301_Series_BC_Ent_Sys.dwg

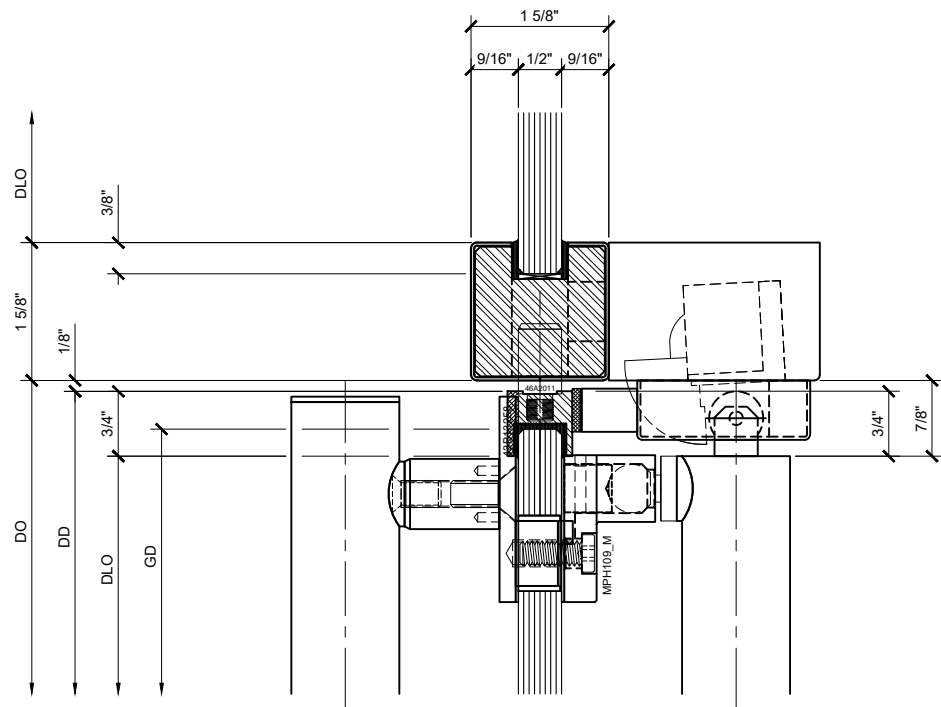
Sheet
2.03



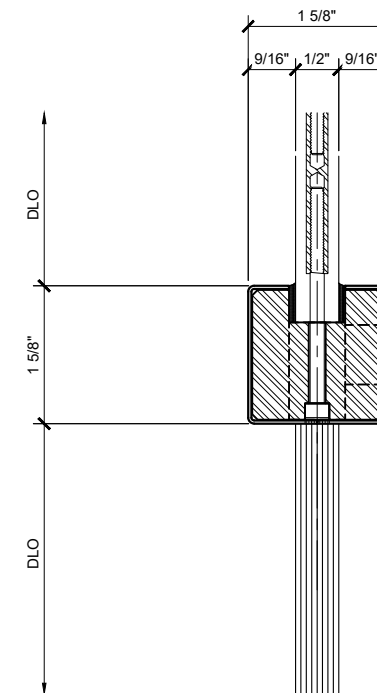
① WBP 8062.5 / PANIC HANDLE HEAD DETAIL
 ARCH REF: NONE 1'-0"=1'-0"



④ TEE - NUT SUPPORT HEAD DETAIL
 ARCH REF: NONE 1'-0"=1'-0"



② FLOATING TRANSOM HEAD DETAIL
 ARCH REF: NONE 1'-0"=1'-0"



③ FLOATING TRANSOM SUPPORT DETAIL
 ARCH REF: NONE 1'-0"=1'-0"

Revisions By:



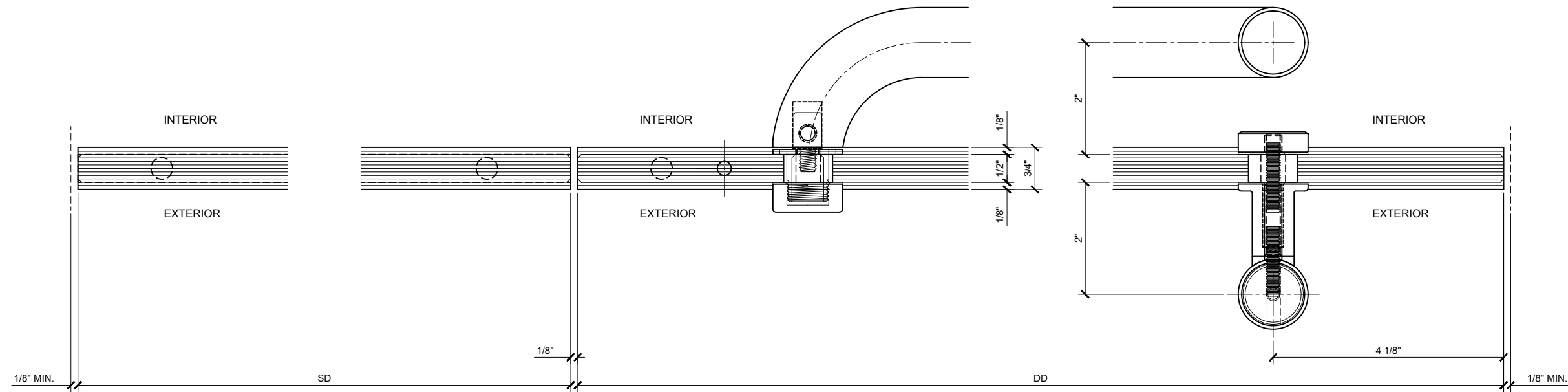
Description:
 CRL / BLUMCRAFT
 SERIES 1301 W/1/2", 5/8", 3/4"
 GLASS ENTRANCE SYSTEMS
 W/ PANIC HANDLES

Drawn By: TGM
 Date: 11/09/18
 Scale: AS NOTED
 File Name:
 1301_Series_BC_Ent_Sys.dwg

Sheet
 2.04

Revisions By:

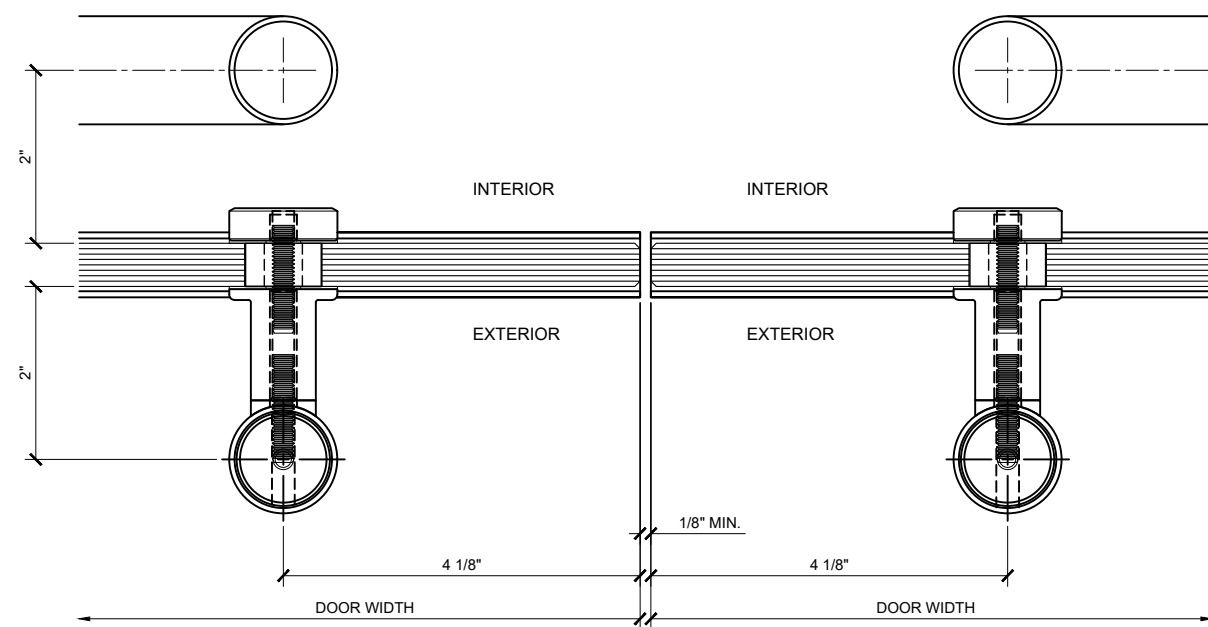
CAL
ALUMINUM
C.R. LAURENCE CO. ARCHITECTURAL PRODUCTS
2503 E. Vernon Avenue, Los Angeles, CA 90058-1897
PH: (800) 421-6144 FX: (800) 857-7501 www.crlaurence.com



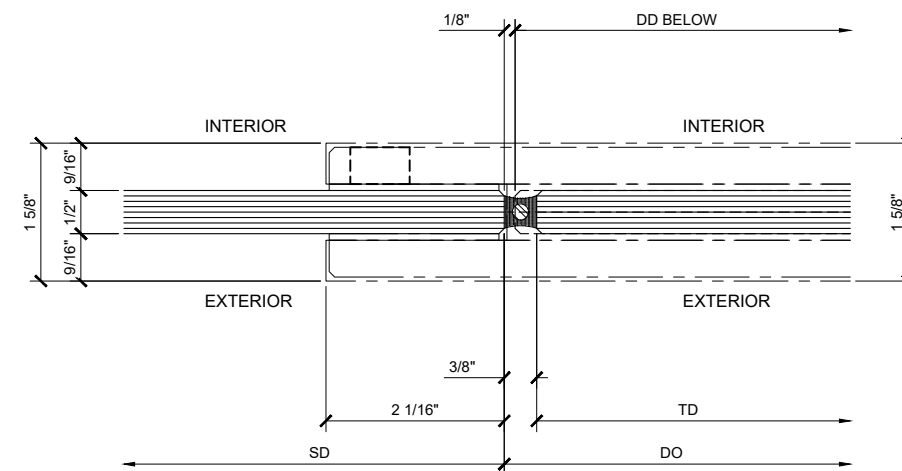
① SIDELITE AT JAMB DETAIL
ARCH REF: NONE 1'-0"=1'-0"

② DETAIL AT PANIC HANDLE
ARCH REF: NONE 1'-0"=1'-0"

③ DETAIL AT PANIC HANDLE
ARCH REF: NONE 1'-0"=1'-0"



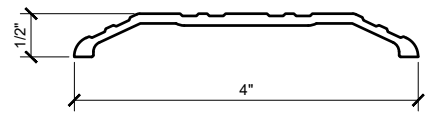
④ MEETING STILES AT PANIC HANDLE
ARCH REF: NONE 1'-0"=1'-0"



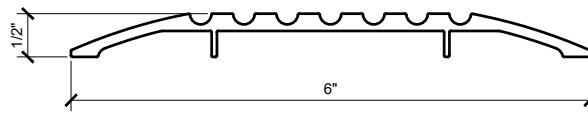
⑤ SOLID FLOATING TRANSOM AT SUPPORT DETAIL
ARCH REF: NONE 1'-0"=1'-0"

Description:
CRL / BLUMCRAFT
SERIES 1301 W/1/2", 5/8", 3/4"
GLASS ENTRANCE SYSTEMS
W/ PANIC HANDLES

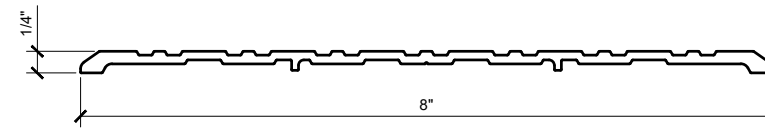
Drawn By: TGM
Date: 11/09/18
Scale: AS NOTED
File Name:
1301_Series_BC_Ent_Sys.dwg



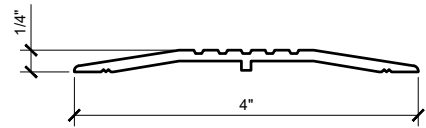
CRL TH014A ALUMINUM THRESHOLD



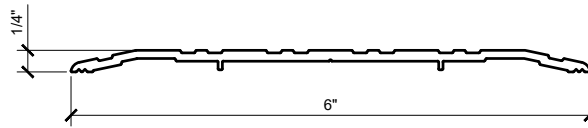
CRL 42A ALUMINUM THRESHOLD



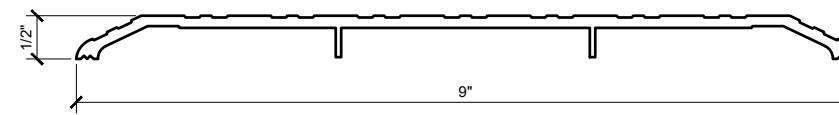
CRL 492A ALUMINUM THRESHOLD



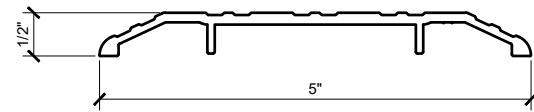
CRL 38A ALUMINUM THRESHOLD



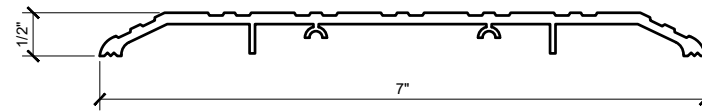
CRL 49A ALUMINUM THRESHOLD



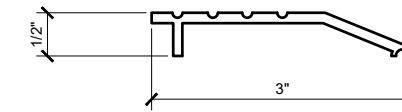
CRL TH019A ALUMINUM THRESHOLD



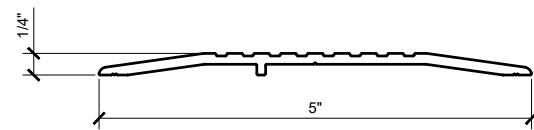
CRL TH015 ALUMINUM THRESHOLD



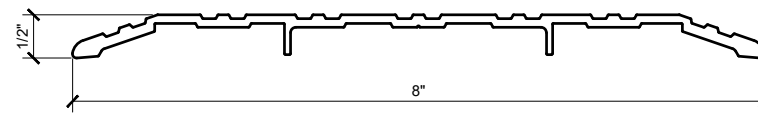
CRL TH017A ALUMINUM THRESHOLD



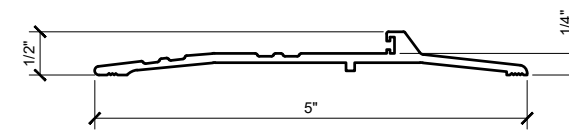
CRL 39A ALUMINUM THRESHOLD



CRL 48A ALUMINUM THRESHOLD

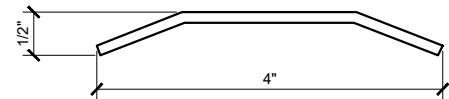


CRL 491A ALUMINUM THRESHOLD

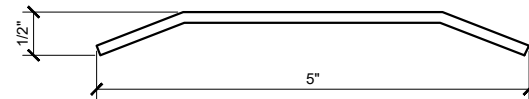


CRL 46VA ALUMINUM THRESHOLD

STANDARD ALUMINUM THRESHOLDS



CRL TH074SS ST. STEEL THRESHOLD



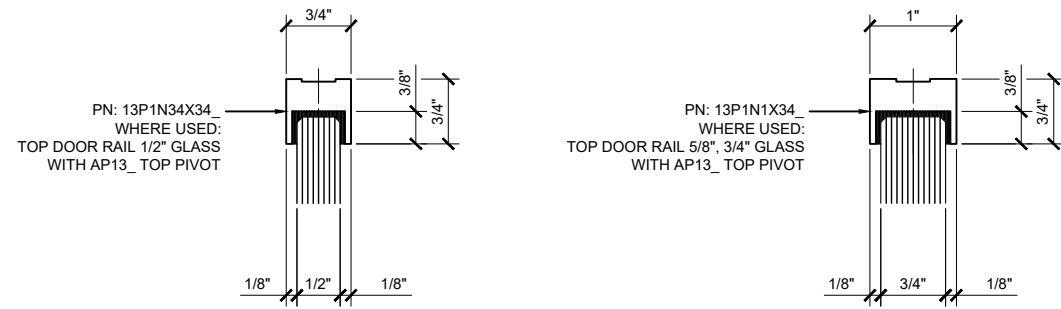
CRL TH075SS ST. STEEL THRESHOLD

STANDARD FORMED STAINLESS STEEL THRESHOLDS



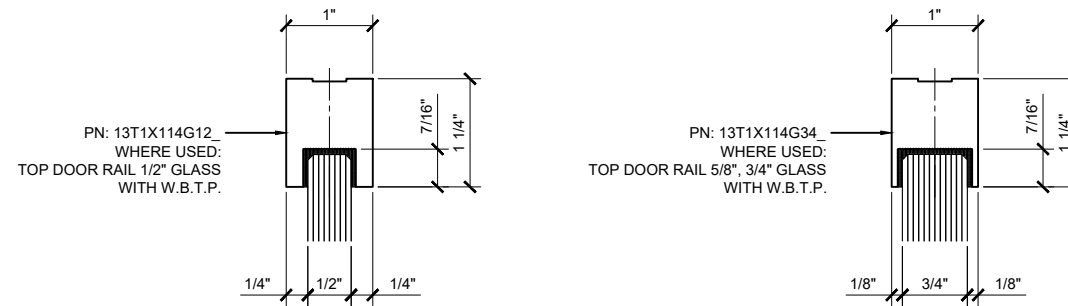
Description:
CRL / BLUMCRAFT
SERIES 1301 W/1/2", 5/8", 3/4"
GLASS ENTRANCE SYSTEMS
W/ PANIC HANDLES

Drawn By: TGM
Date: 11/09/18
Scale: AS NOTED
File Name:
1301_Series_BC_Ent_Sys.dwg



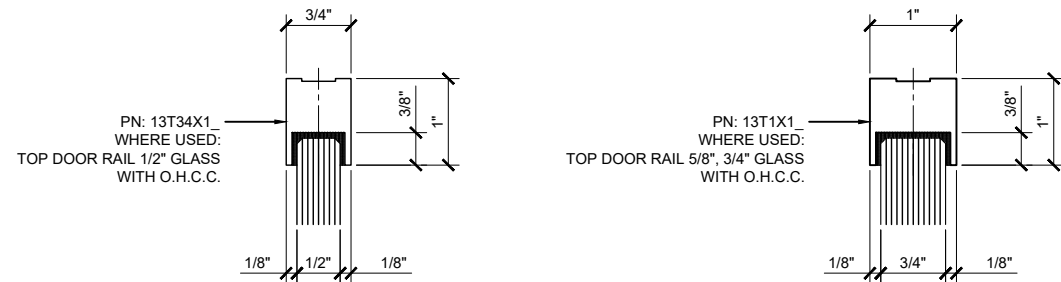
13F_ TOP DOOR RAIL BASIC SHAPES

1/2", 5/8", 3/4" GLASS



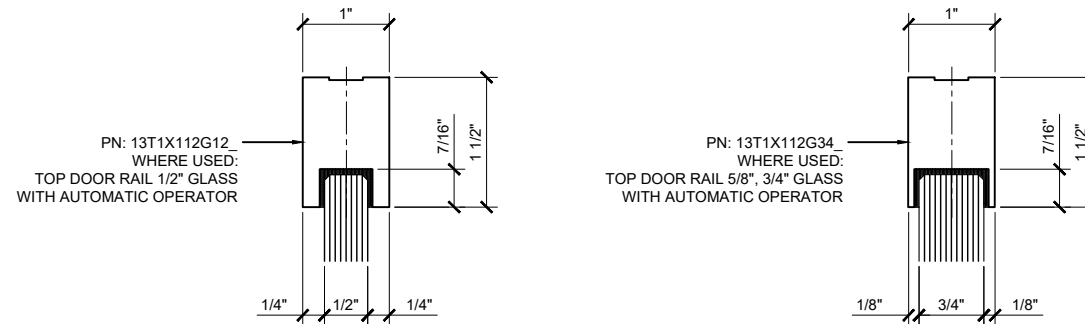
13W_ TOP DOOR RAIL BASIC SHAPES

1/2", 5/8", 3/4" GLASS



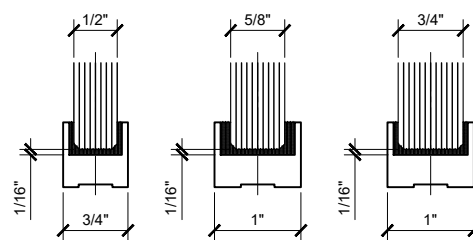
13H_ TOP DOOR RAIL BASIC SHAPES

1/2", 5/8", 3/4" GLASS



13P_ TOP DOOR RAIL BASIC SHAPES

1/2", 5/8", 3/4" GLASS

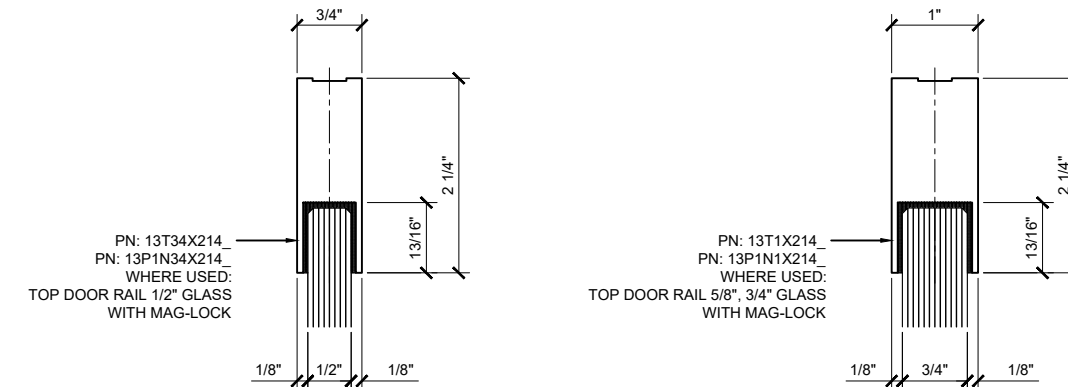


TYPICAL GLASS ENGAGEMENT IN ANY RAIL

1/2", 5/8", 3/4" GLASS

GLASS TYPES USED:

- 1/2" MONOLITHIC TEMPERED GLASS CLEAR
- 1/2" MONOLITHIC TEMPERED GLASS STARPHIRE
- 5/8" MONOLITHIC TEMPERED GLASS CLEAR
- 5/8" MONOLITHIC TEMPERED GLASS STARPHIRE
- 3/4" MONOLITHIC TEMPERED GLASS CLEAR
- 3/4" MONOLITHIC TEMPERED GLASS STARPHIRE



13FM_ TOP DOOR RAIL BASIC SHAPES

1/2", 5/8", 3/4" GLASS

13HM_ TOP DOOR RAIL BASIC SHAPES

1/2", 5/8", 3/4" GLASS

13WM_ TOP DOOR RAIL BASIC SHAPES

1/2", 5/8", 3/4" GLASS



Description:
 CRL / BLUMCRAFT
 SERIES 1301 W/1/2", 5/8", 3/4"
 GLASS ENTRANCE SYSTEMS
 W/ PANIC HANDLES

Drawn By: TGM
 Date: 11/09/18
 Scale: AS NOTED
 File Name:
 1301_Series_BC_Ent_Sys.dwg