



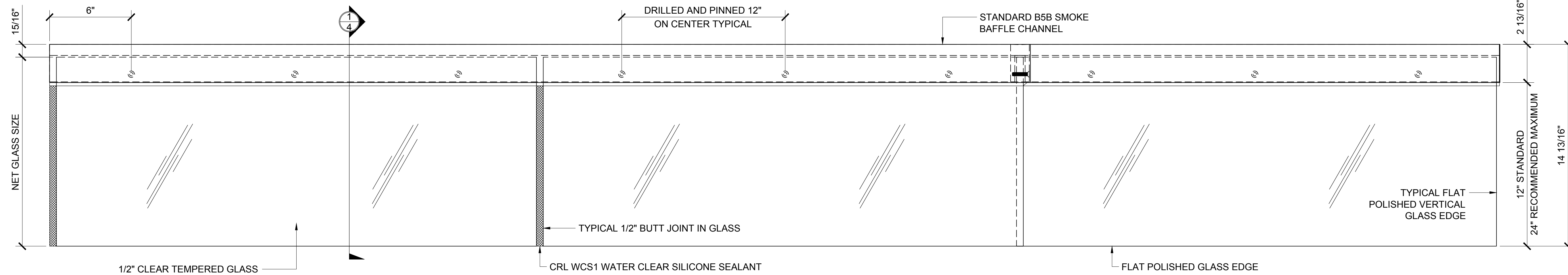
B5B SERIES CRL SMOKE BAFFLE SYSTEMS

CRL SMOKE BAFFLE SYSTEMS ARE DESIGNED TO PROVIDE AN ALMOST INVISIBLE 1/2" TEMPERED GLASS SMOKE CURTAIN. MANY OF TODAY'S FIRE CODES REQUIRE LARGE OFFICES OR RETAIL AREAS TO BE BROKEN DOWN INTO SMALLER, MORE MANAGEABLE AREAS THAT CAN BE MONITORED BY SMOKE DETECTORS. THIS IS THE SPECIFIC APPLICATION FOR SMOKE BAFFLES OR CURTAINS. SMOKE CURTAINS WORK TO RETAIN SMOKE IN A SPECIFIC AREA OF A SPECIFIED SQUARE FOOTAGE. SOME SPRINKLER SYSTEMS ARE ACTIVATED BY A SMOKE ALARM, SO SECTIONING OFF AREAS THROUGH THE USE OF SMOKE CURTAINS CAN PREVENT UNNECESSARY SPRINKLER ACTIVATION.

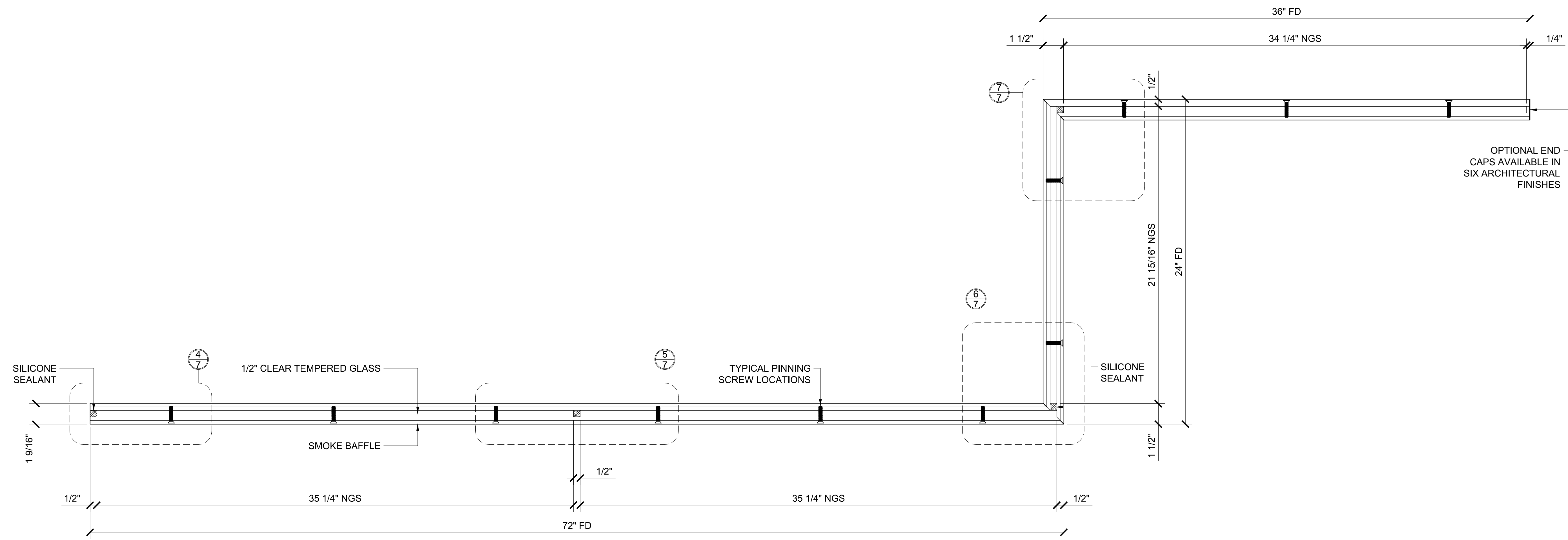
STANDARD SYSTEM INCLUDES
 B5B SERIES ALUMINUM BASE SHOE
 GR5PV VINYL CAP RAIL INSERT
 RG12100 ROLL IN VINYL
 STEEL ALLOY BLACK OXIDE PINNING SCREWS
 RIGID NYLON GROMMETS
 SHEET METAL CLADDING (OPTIONAL)

OPTIONAL CLAD FINISHES
 MILL ALUMINUM
 BRUSHED STAINLESS STEEL CLADDING
 POLISHED STAINLESS STEEL CLADDING
 SATIN BRASS CLADDING
 POLISHED BRASS CLADDING
 DARK BRONZE CLADDING
 SATIN ANODIZED CLADDING

* FOR FABRICATING ALMOST INVISIBLE SMOKE CURTAINS FROM 1/2" GLASS.
 * GLASS IS MECHANICALLY SECURED WITH FASTENERS AND GROMMETS.
 * CUSTOM DRILLING, MITERING AND CUTTING SERVICES ARE AVAILABLE.
 * AVAILABLE IN 10' AND 20' STOCK LENGTHS CUSTOM FABRICATED TO SIZE.



B5B SERIES SMOKE BAFFLE FOR 1/2" GLASS - ELEVATION



SMOKE BAFFLE FOR 1/2" GLASS - REFLECTED CEILING PLAN

CRL SMOKE BAFFLES FOR 1/2" GLASS

Revisions By:

C.R. LAURENCE CO. ARCHITECTURAL PRODUCTS
 2503 E. Vernon Avenue, Los Angeles, CA 90058-1897
 PH (800)-421-6144 FX (800)-987-7501 www.crlaurence.com

Discription:
 CRL / BLUMCRAFT
 SMOKE BAFFLE SYSTEMS
 FOR 1/2" AND 3/4" GLASS

Drawn By: AAD
 Date: 10/4/12
 Scale: AS NOTED
 File Name: CRL Smoke Baffles.dwg



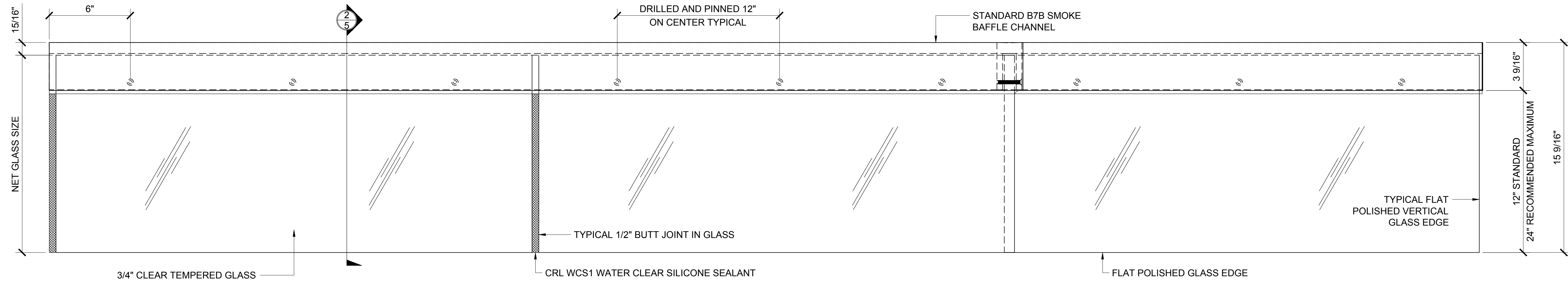
B7B SERIES CRL SMOKE BAFFLE SYSTEMS

CRL SMOKE BAFFLE SYSTEMS ARE DESIGNED TO PROVIDE AN ALMOST INVISIBLE 3/4" TEMPERED GLASS SMOKE CURTAIN. MANY OF TODAY'S FIRE CODES REQUIRE LARGE OFFICES OR RETAIL AREAS TO BE BROKEN DOWN INTO SMALLER, MORE MANAGEABLE AREAS THAT CAN BE MONITORED BY SMOKE DETECTORS. THIS IS THE SPECIFIC APPLICATION FOR SMOKE BAFFLES OR CURTAINS. SMOKE CURTAINS WORK TO RETAIN SMOKE IN A SPECIFIC AREA OF A SPECIFIED SQUARE FOOTAGE. SOME SPRINKLER SYSTEMS ARE ACTIVATED BY A SMOKE ALARM, SO SECTIONING OFF AREAS THROUGH THE USE OF SMOKE CURTAINS CAN PREVENT UNNECESSARY SPRINKLER ACTIVATION.

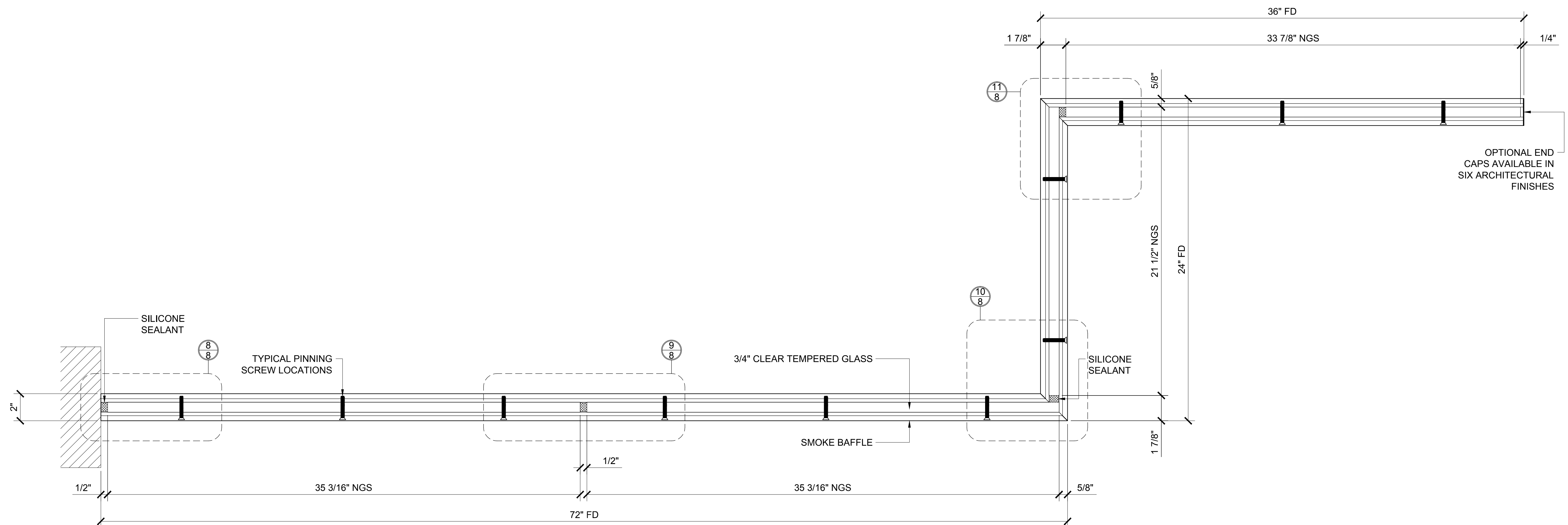
STANDARD SYSTEM INCLUDES
 B7B SERIES ALUMINUM BASE SHOE
 GR7PV VINYL CAP RAIL INSERT
 RG12100 ROLL IN VINYL
 STEEL ALLOY BLACK OXIDE PINNING SCREWS
 RIGID NYLON GROMMETS
 SHEET METAL CLADDING (OPTIONAL)

OPTIONAL CLAD FINISHES
 MILL ALUMINUM
 BRUSHED STAINLESS STEEL CLADDING
 POLISHED STAINLESS STEEL CLADDING
 SATIN BRASS CLADDING
 POLISHED BRASS CLADDING
 DARK BRONZE CLADDING
 SATIN ANODIZED CLADDING

* FOR FABRICATING ALMOST INVISIBLE SMOKE CURTAINS FROM 3/4" GLASS.
 * GLASS IS MECHANICALLY SECURED WITH FASTENERS AND GROMMETS.
 * CUSTOM DRILLING, MITERING AND CUTTING SERVICES ARE AVAILABLE.
 * AVAILABLE IN 10' AND 20' STOCK LENGTHS CUSTOM FABRICATED TO SIZE.



B7B SERIES SMOKE BAFFLE FOR 3/4" GLASS - ELEVATION



SMOKE BAFFLE FOR 3/4" GLASS - REFLECTED CEILING PLAN

CRL SMOKE BAFFLES FOR 3/4" GLASS

Revisions By:



Discription:
 CRL / BLUMCRAFT
 SMOKE BAFFLE SYSTEMS
 FOR 1/2" AND 3/4" GLASS

Drawn By: AAD
 Date: 10/4/12
 Scale: AS NOTED
 File Name: CRL Smoke Baffles.dwg

Sheet

SB200 CRL-BLUMCRAFT SMOKE BAFFLE SYSTEMS

CRL SMOKE BAFFLE SYSTEMS ARE DESIGNED TO PROVIDE AN ALMOST INVISIBLE 1/2" TEMPERED GLASS SMOKE CURTAIN. MANY OF TODAY'S FIRE CODES REQUIRE LARGE OFFICES OR RETAIL AREAS TO BE BROKEN DOWN INTO SMALLER, MORE MANAGEABLE AREAS THAT CAN BE MONITORED BY SMOKE DETECTORS. THIS IS THE SPECIFIC APPLICATION FOR SMOKE BAFFLES OR CURTAINS. SMOKE CURTAINS WORK TO RETAIN SMOKE IN A SPECIFIC AREA OF A SPECIFIED SQUARE FOOTAGE. SOME SPRINKLER SYSTEMS ARE ACTIVATED BY A SMOKE ALARM, SO SECTIONING OFF AREAS THROUGH THE USE OF SMOKE CURTAINS CAN PREVENT UNNECESSARY SPRINKLER ACTIVATION.

SB200 STANDARD SYSTEM INCLUDES
SB200 TWO PIECE ALUMINUM BASE/INSERT CHANNEL
FS307 SNAP IN INSERTS
STEEL ALLOY GLASS PINS/RIGID GROMMETS/BUSHING
SUB CHANNEL MOUNTING SCREWS
CLADDING OPTIONAL

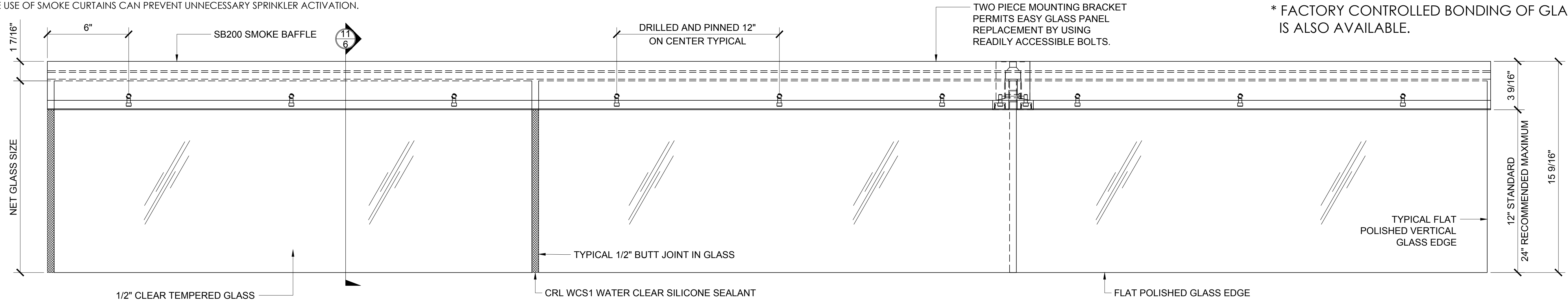
OPTIONAL CLAD FINISHES
CLEAR ANODIZED
SATIN ANODIZED
DARK BRONZE ANODIZED

* FOR FABRICATING ALMOST INVISIBLE SMOKE CURTAINS FROM 1/2" GLASS.

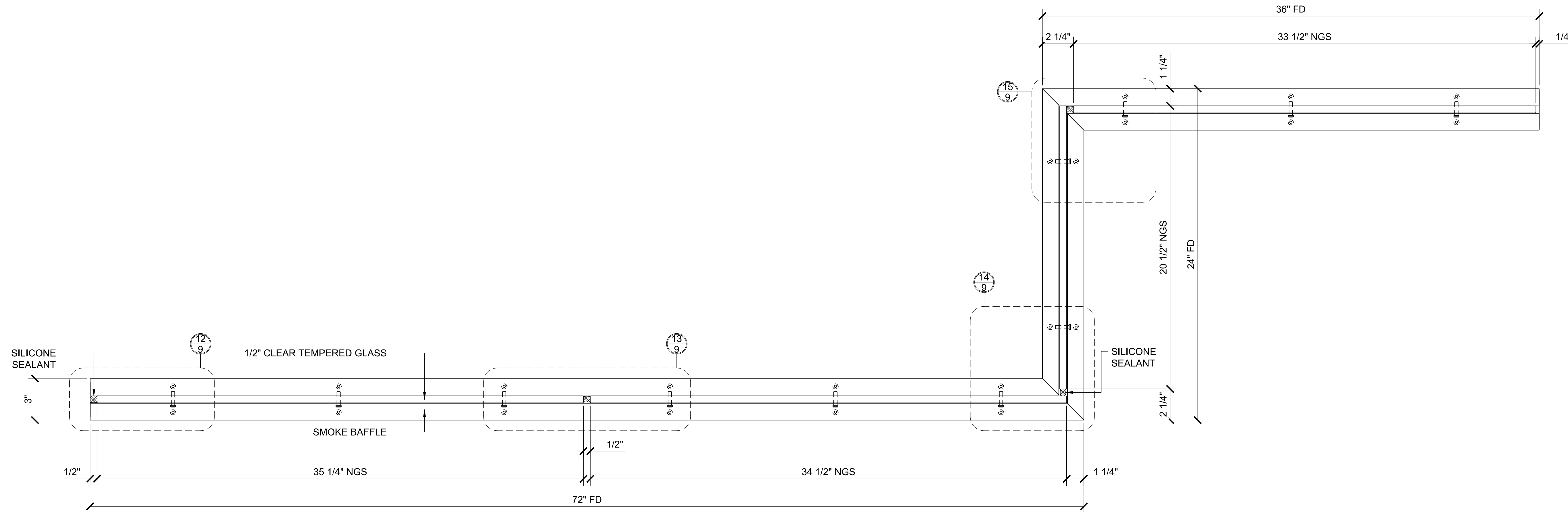
* GLASS IS MECHANICALLY SECURED WITH FASTENERS AND GROMMETS. THEN BONDED WITH KWIKSET EXPANSION CEMENT.

* CUSTOM DRILLING, MITERING AND CUTTING SERVICES ARE AVAILABLE.

* FACTORY CONTROLLED BONDING OF GLASS IS ALSO AVAILABLE.



SB200 CRL-BLUMCRAFT SMOKE BAFFLE FOR 1/2" GLASS - ELEVATION



SMOKE BAFFLE FOR 1/2" GLASS - REFLECTED CEILING PLAN

CRL SMOKE BAFFLES FOR 3/4" GLASS

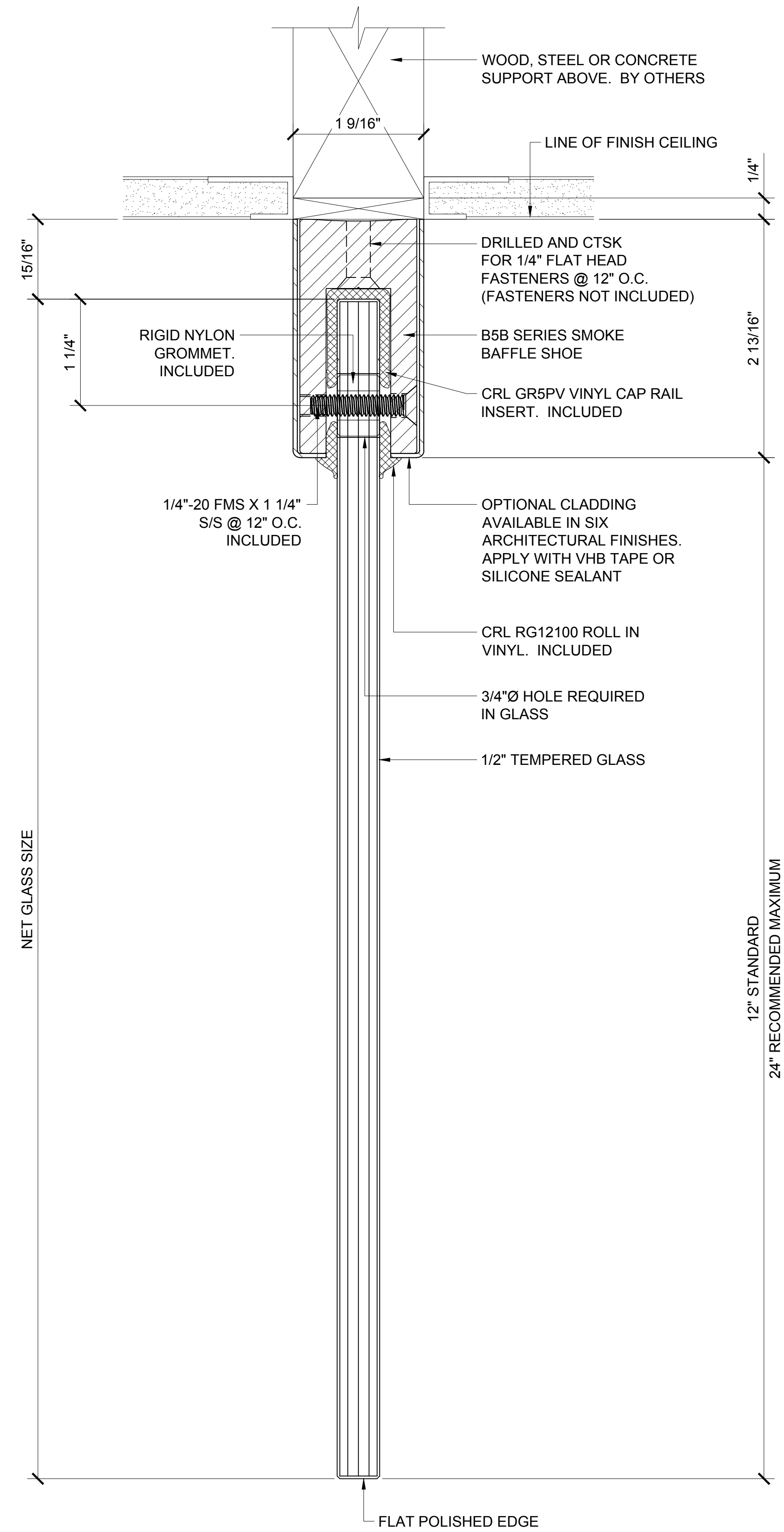
Revisions By:



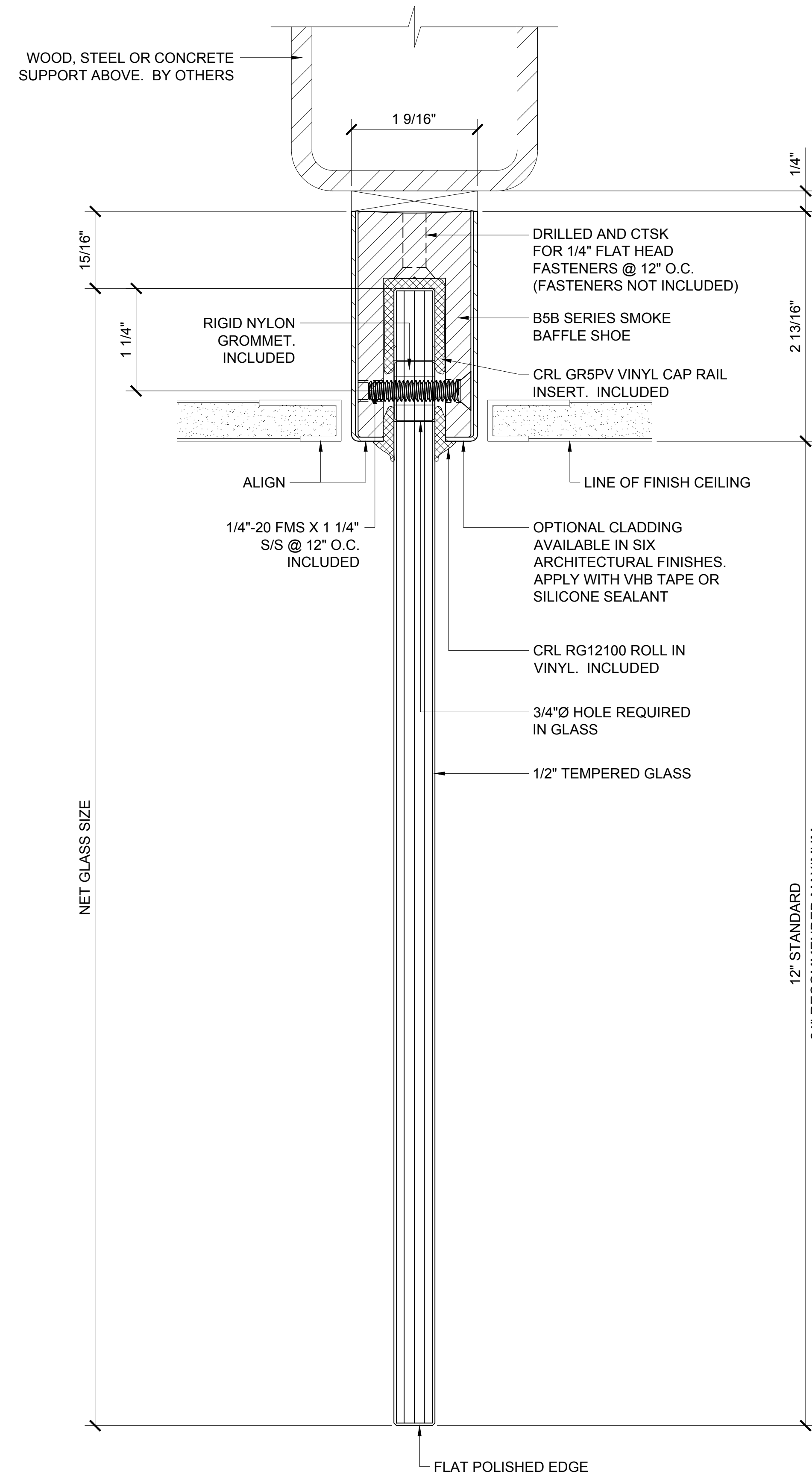
Discription:
CRL / BLUMCRAFT
SMOKE BAFFLE SYSTEMS
FOR 1/2" AND 3/4" GLASS

Drawn By: AAD
Date: 10/4/12
Scale: AS NOTED
File Name: CRL Smoke Baffles.dwg

Sheet



SECTION DETAIL AT SMOKE BAFFLE
FOR 1/2" GLASS (EXPOSED OPTION) ①



SECTION DETAIL AT SMOKE BAFFLE
FOR 1/2" GLASS (RECESSED OPTION) ①A

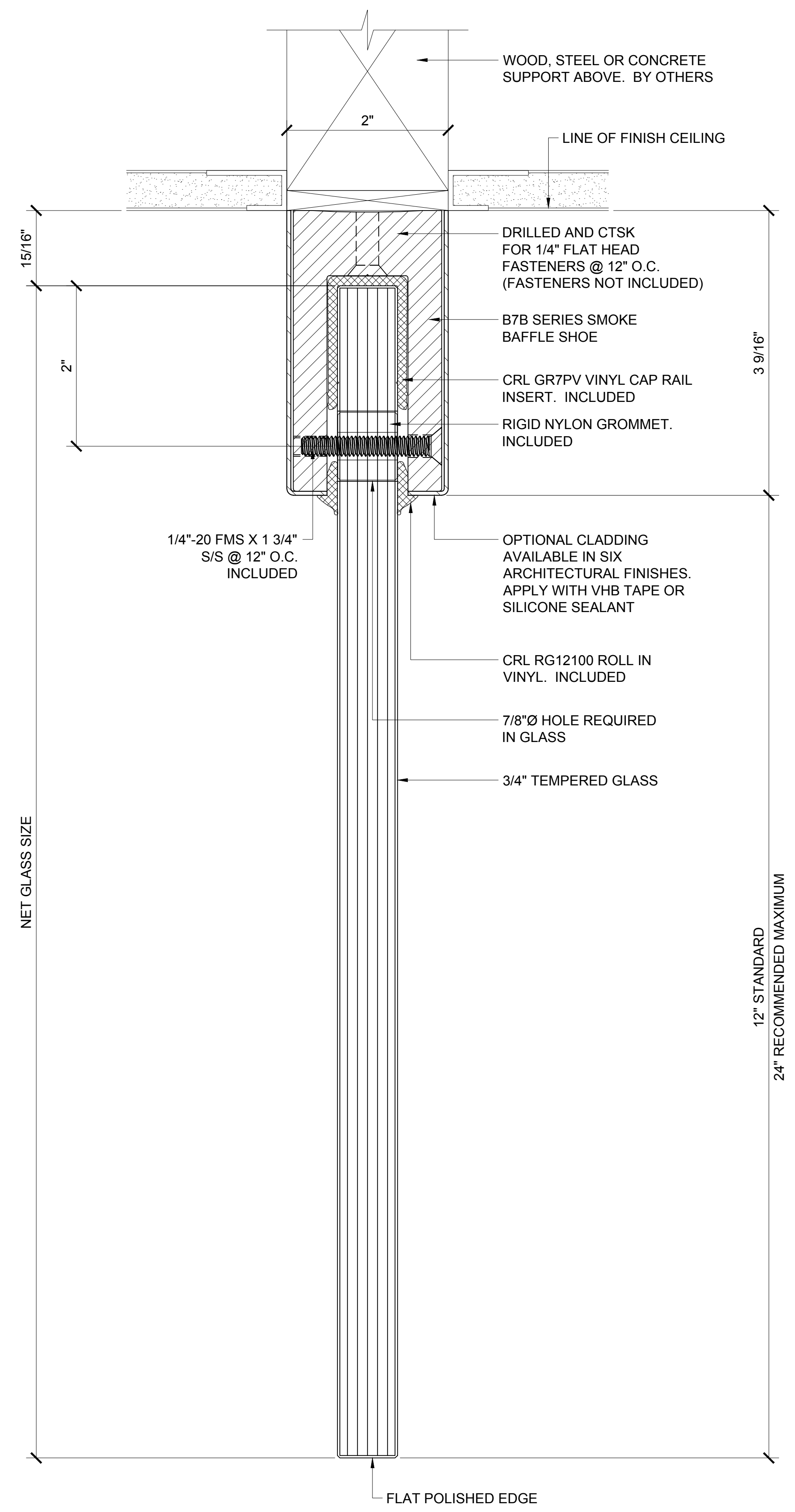
Revisions By:



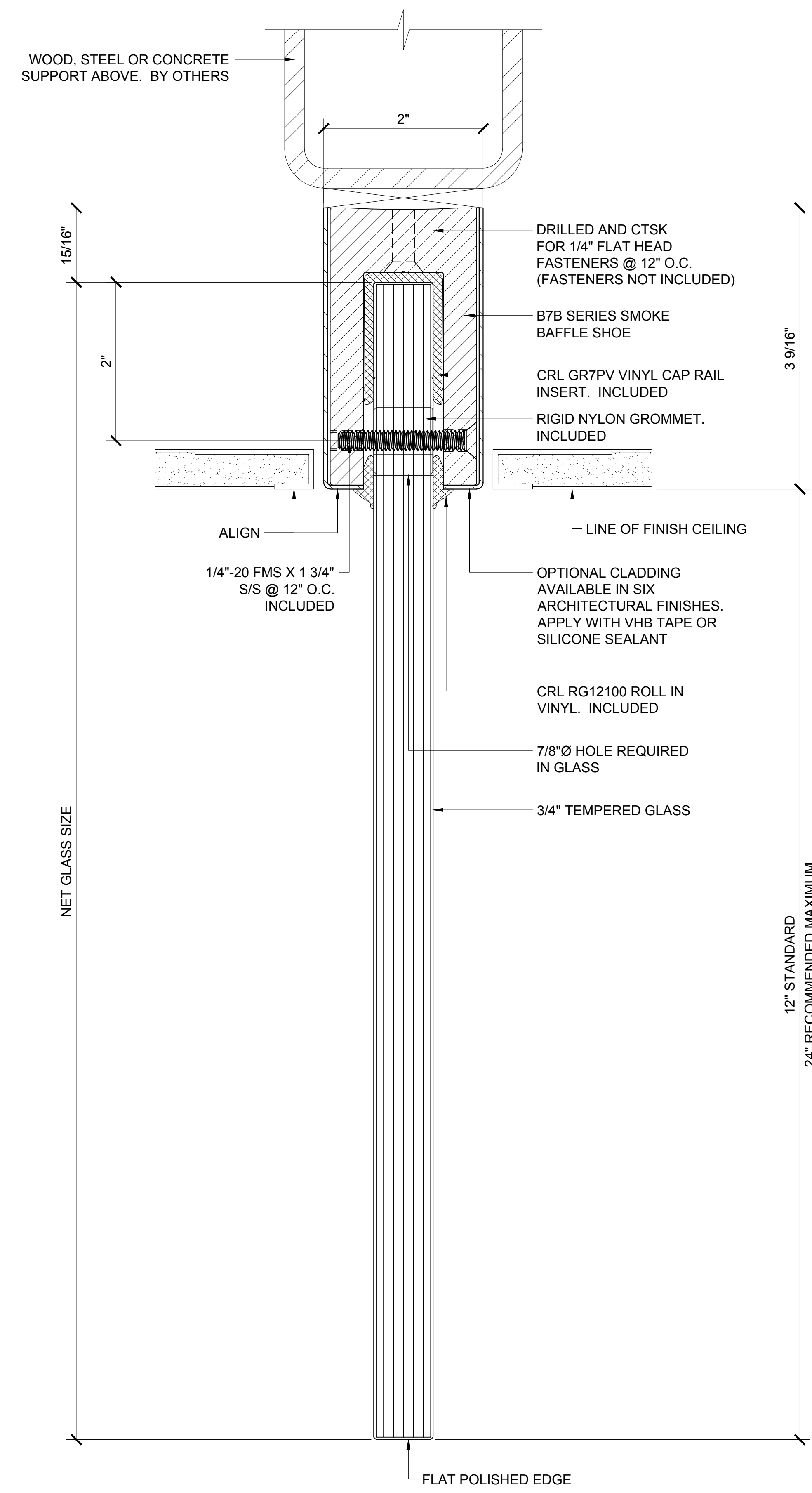
Description:
CRL / BLUMCRAFT
SMOKE BAFFLE SYSTEMS
FOR 1/2" AND 3/4" GLASS

Drawn By: AAD
Date: 10/4/12
Scale: AS NOTED
File Name: CRL Smoke Baffles.dwg
Sheet

CRL B5B SERIES SMOKE BAFFLE FOR 1/2" GLASS



SECTION DETAIL AT SMOKE BAFFLE FOR 3/4" GLASS (EXPOSED OPTION) (2)



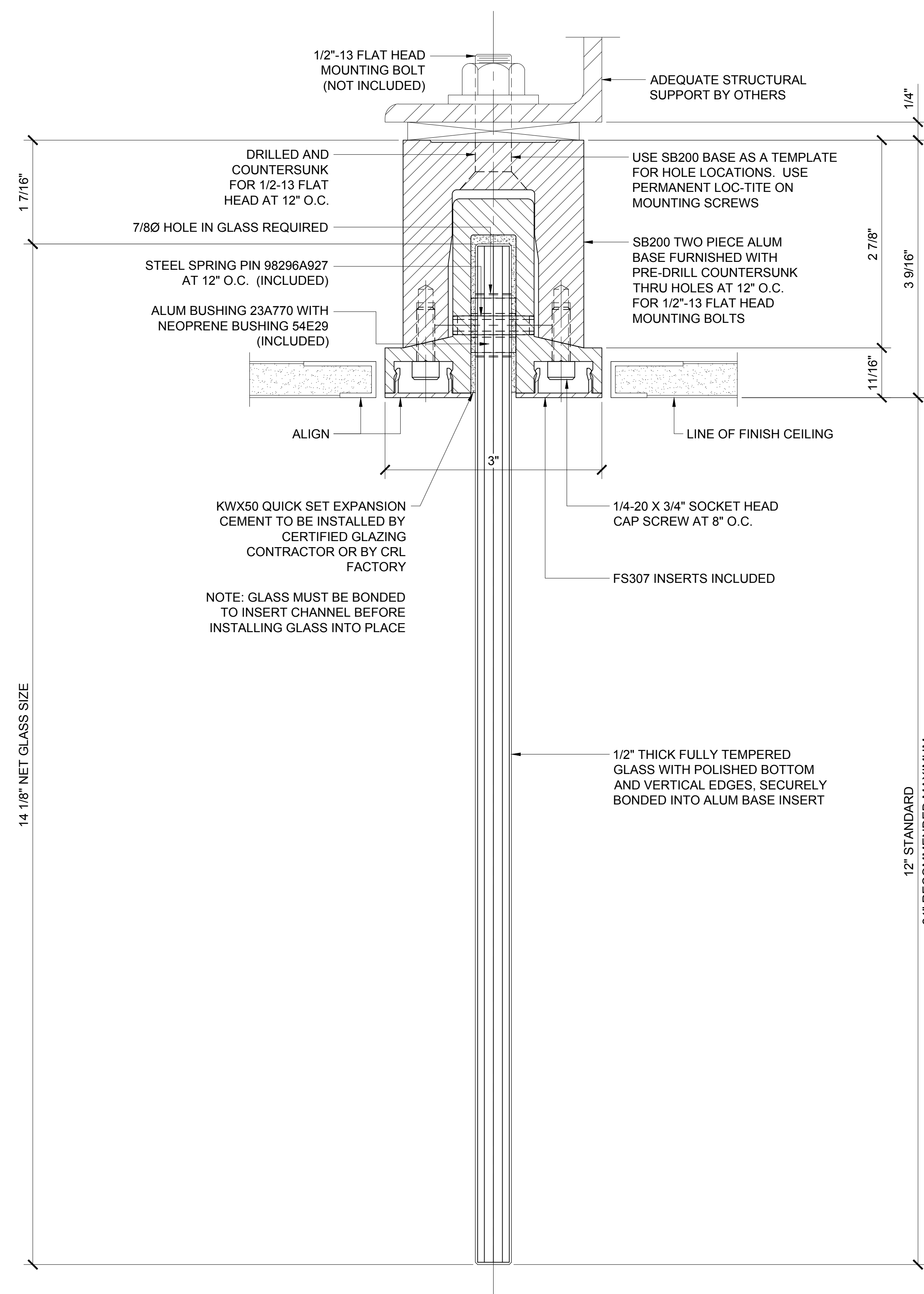
SECTION DETAIL AT SMOKE BAFFLE FOR 3/4" GLASS (RECESSED OPTION) (2A)

Description:
 CRL / BLUMCRAFT
 SMOKE BAFFLE SYSTEMS
 FOR 1/2" AND 3/4" GLASS

Drawn By: AAD
 Date: 10/4/12
 Scale: AS NOTED
 File Name: CRL Smoke Baffles.dwg
 Sheet

CRL B7B SERIES SMOKE BAFFLE FOR 3/4" GLASS

Revisions By:



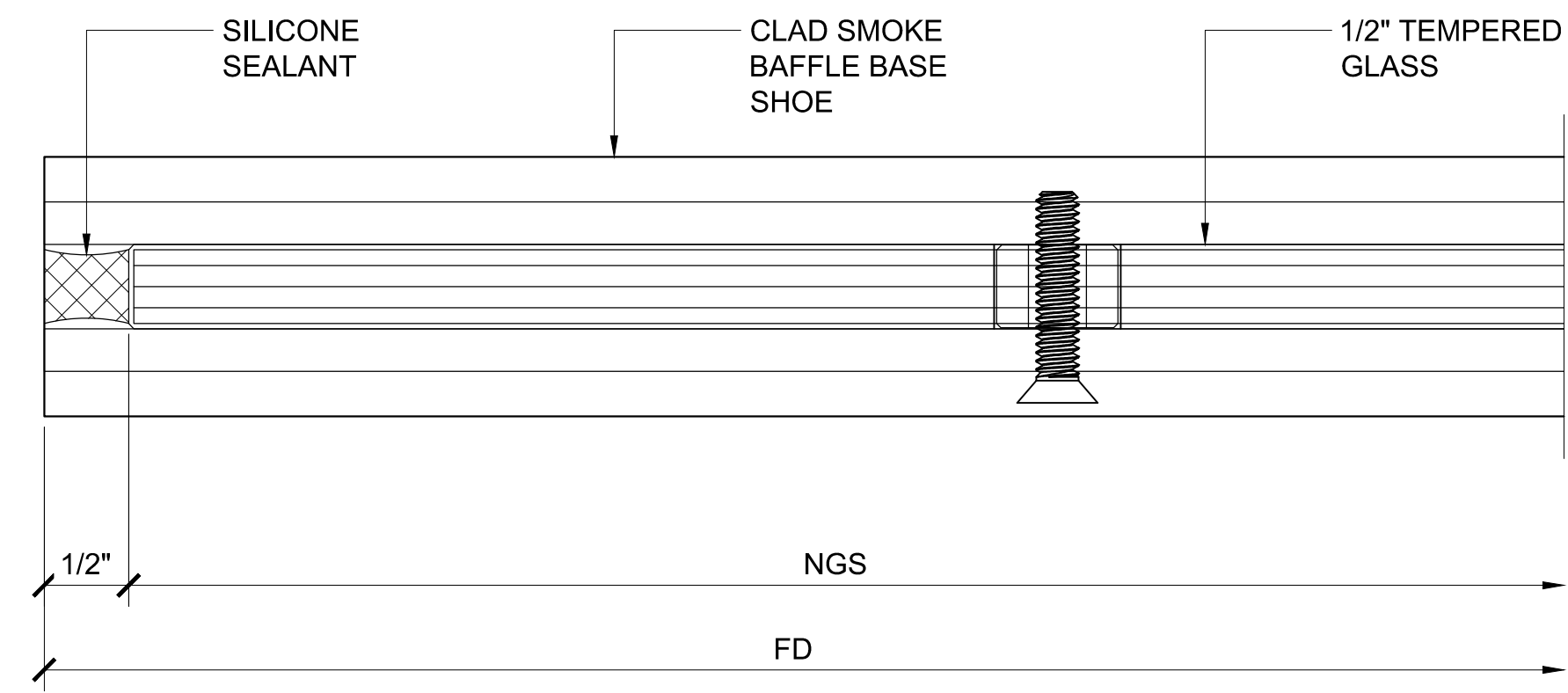
SECTION DETAIL AT SB200 SMOKE BAFFLE FOR 1/2" GLASS 3

BLUMCRAFT SB200 SMOKE BAFFLE FOR 1/2" GLASS

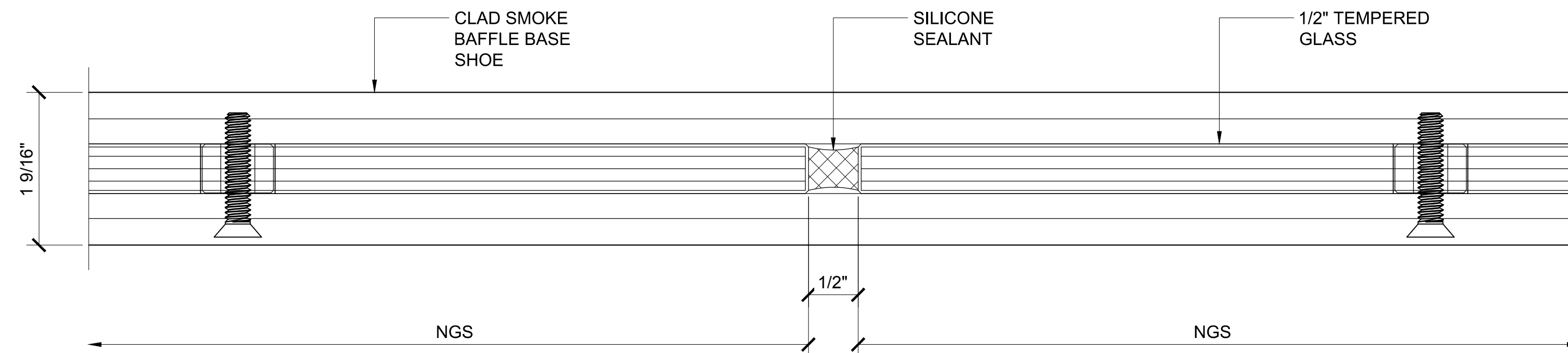
Description:
CRL / BLUMCRAFT
SMOKE BAFFLE SYSTEMS
FOR 1/2" AND 3/4" GLASS

Drawn By: AAD
Date: 10/4/12
Scale: AS NOTED
File Name: CRL Smoke Baffles.dwg

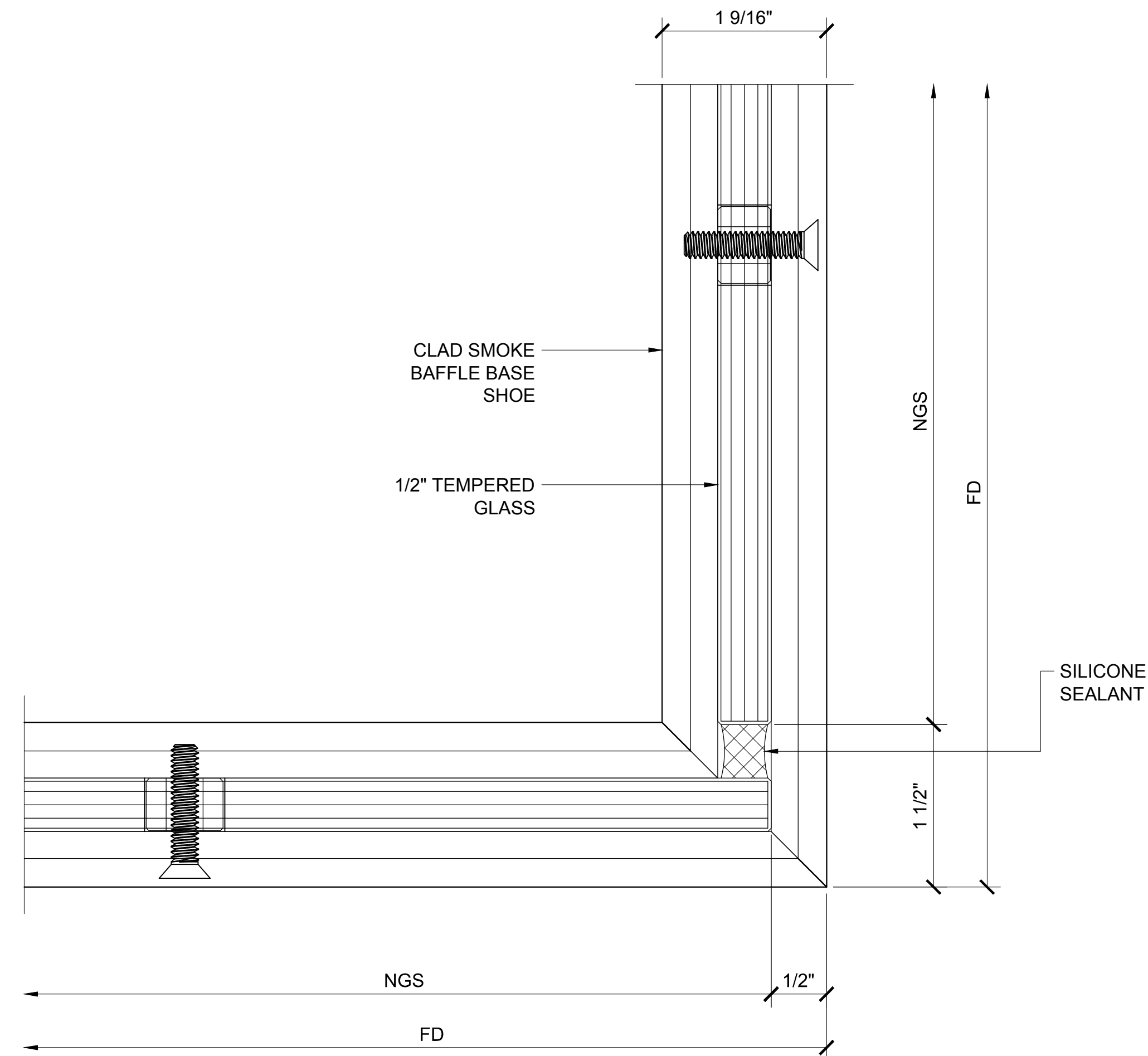
Sheet



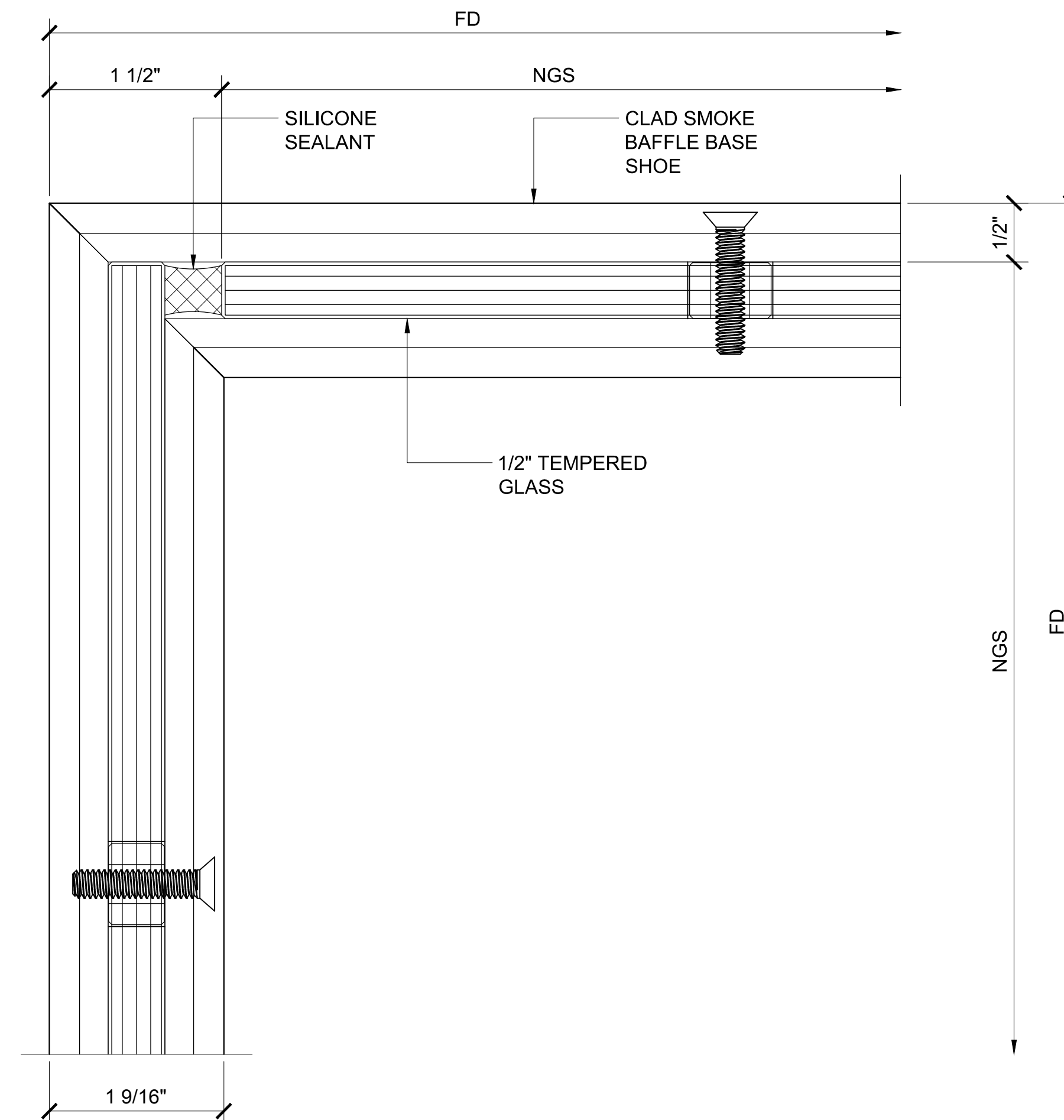
REFLECTED CEILING DETAIL AT JAMB ④



REFLECTED CEILING DETAIL AT GLASS JOINT ⑤



REFLECTED CEILING DETAIL AT OUTSIDE 90 ⑥



REFLECTED CEILING DETAIL AT INSIDE 90 ⑦

Revisions By:

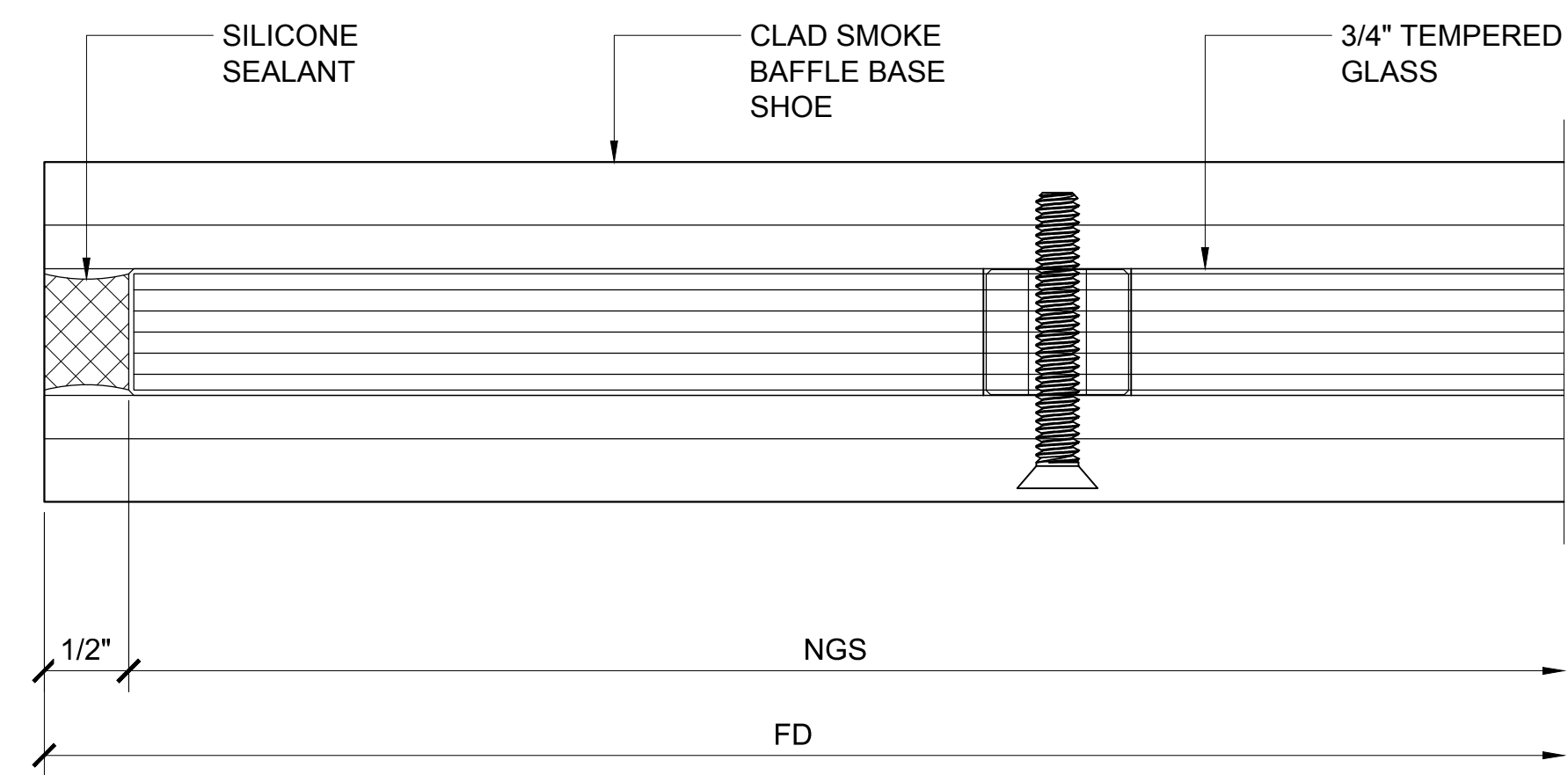


Description:
CRL / BLUMCRAFT
SMOKE BAFFLE SYSTEMS
FOR 1/2" AND 3/4" GLASS

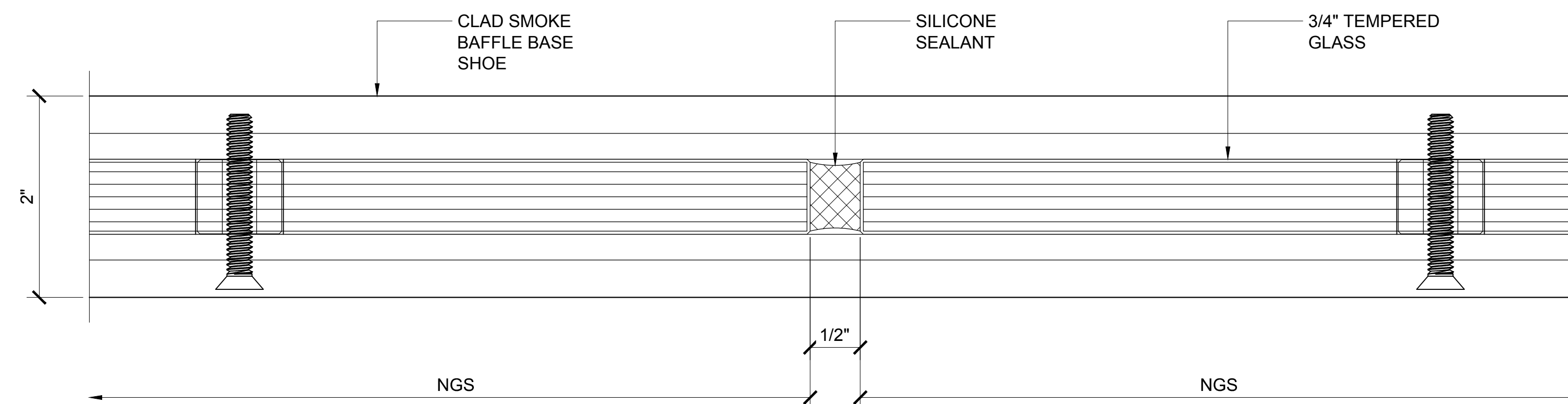
Drawn By: AAD
Date: 10/4/12
Scale: AS NOTED
File Name: CRL Smoke Baffles.dwg

Sheet

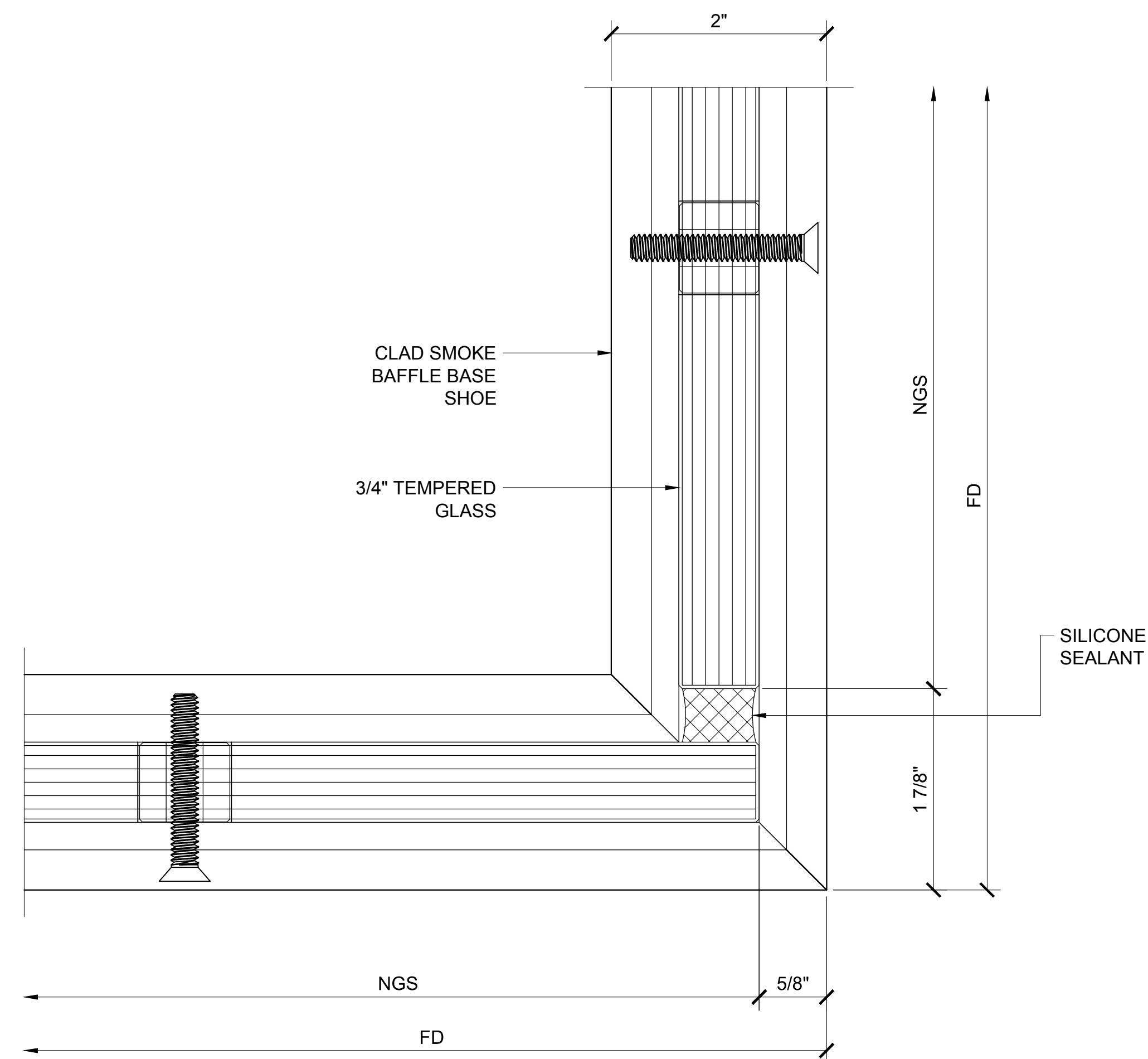
CRL B5B SERIES SMOKE BAFFLE FOR 1/2" GLASS



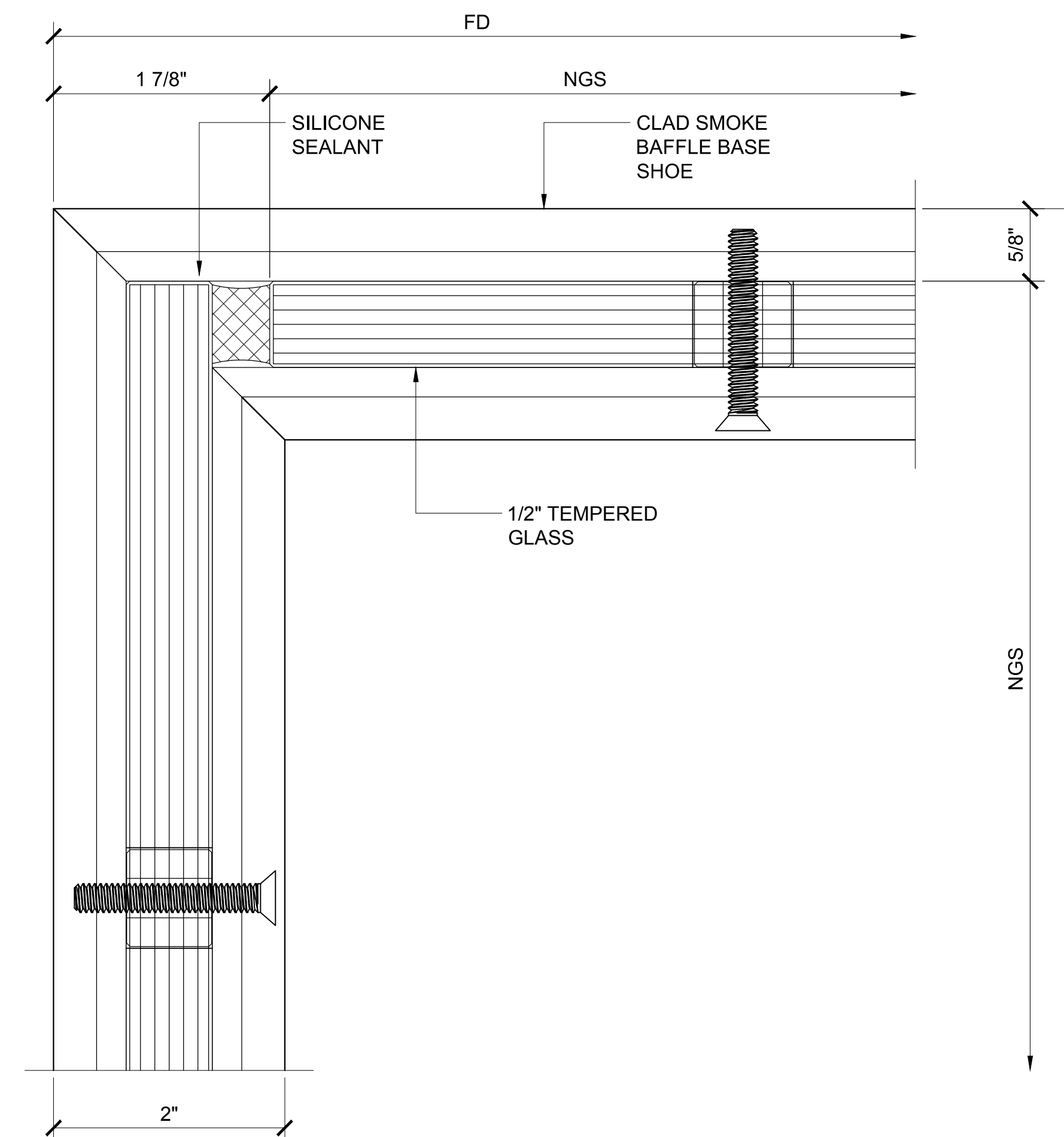
REFLECTED CEILING DETAIL AT JAMB 8



REFLECTED CEILING DETAIL AT GLASS JOINT 9



REFLECTED CEILING DETAIL AT OUTSIDE 90 10



REFLECTED CEILING DETAIL AT INSIDE 90 11

CRL B7B SERIES SMOKE BAFFLE FOR 3/4" GLASS

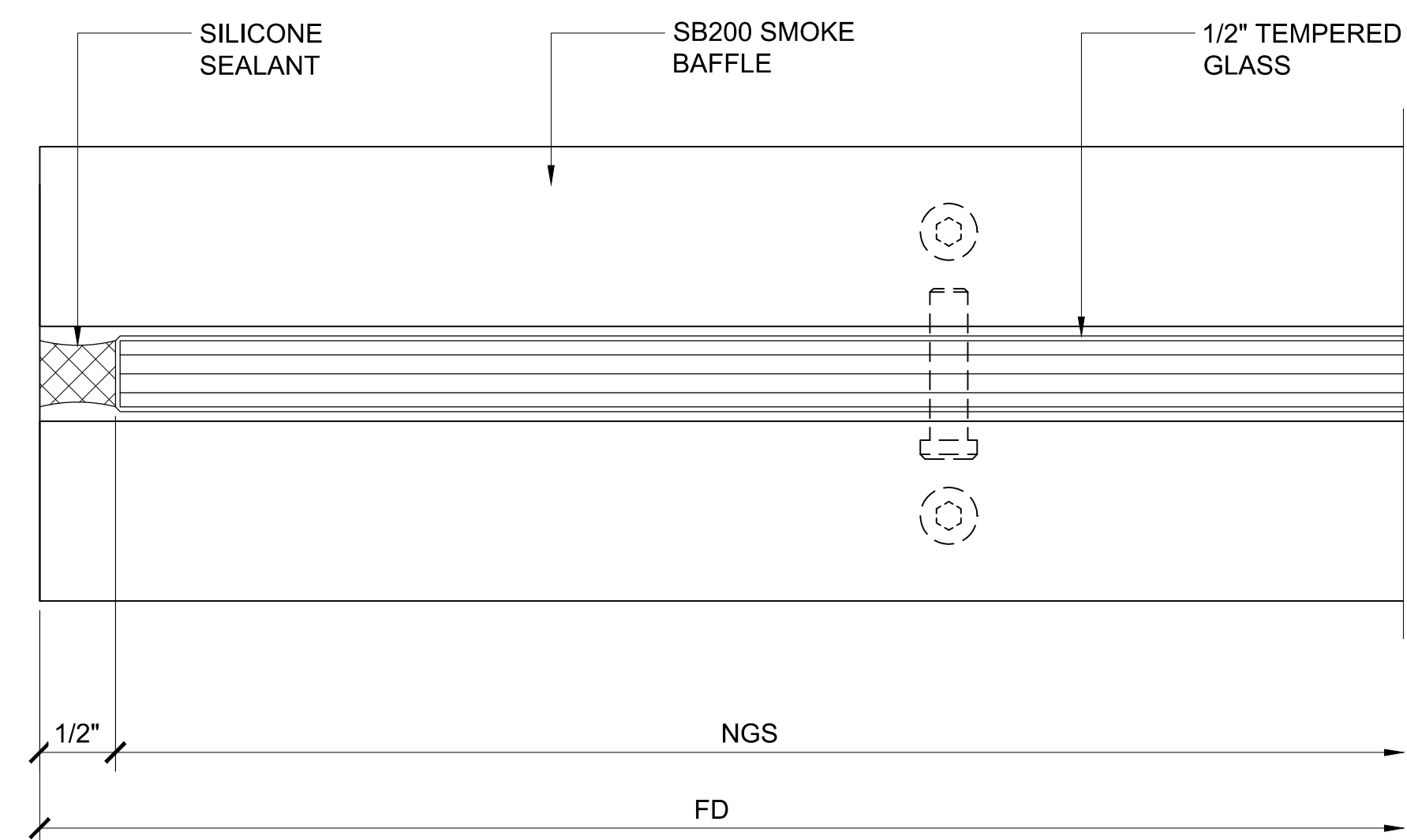
Revisions By:

C.R. LAURENCE CO. ARCHITECTURAL PRODUCTS
 2503 E. Vernon Avenue, Los Angeles, CA 90058-1897
 PH (800)-421-6144 FX (800)-987-7501 www.crlaurence.com

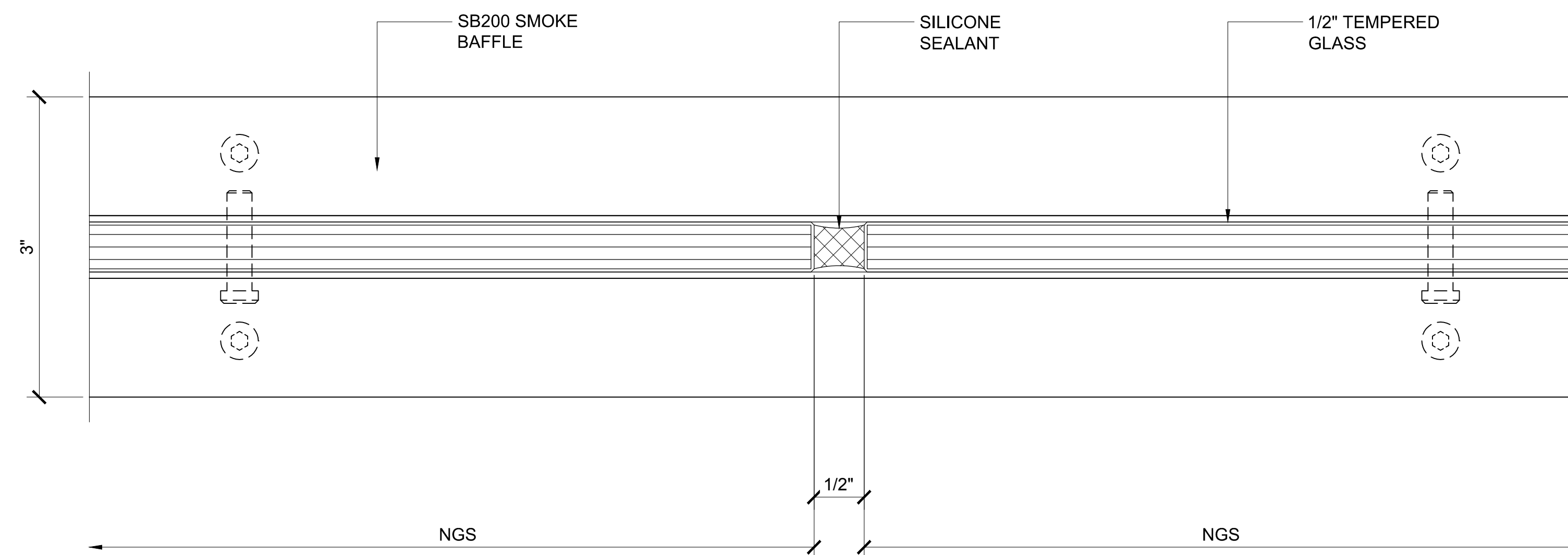
Description:
 CRL / BLUMCRAFT
 SMOKE BAFFLE SYSTEMS
 FOR 1/2" AND 3/4" GLASS

Drawn By: AAD
 Date: 10/4/12
 Scale: AS NOTED
 File Name: CRL Smoke Baffles.dwg

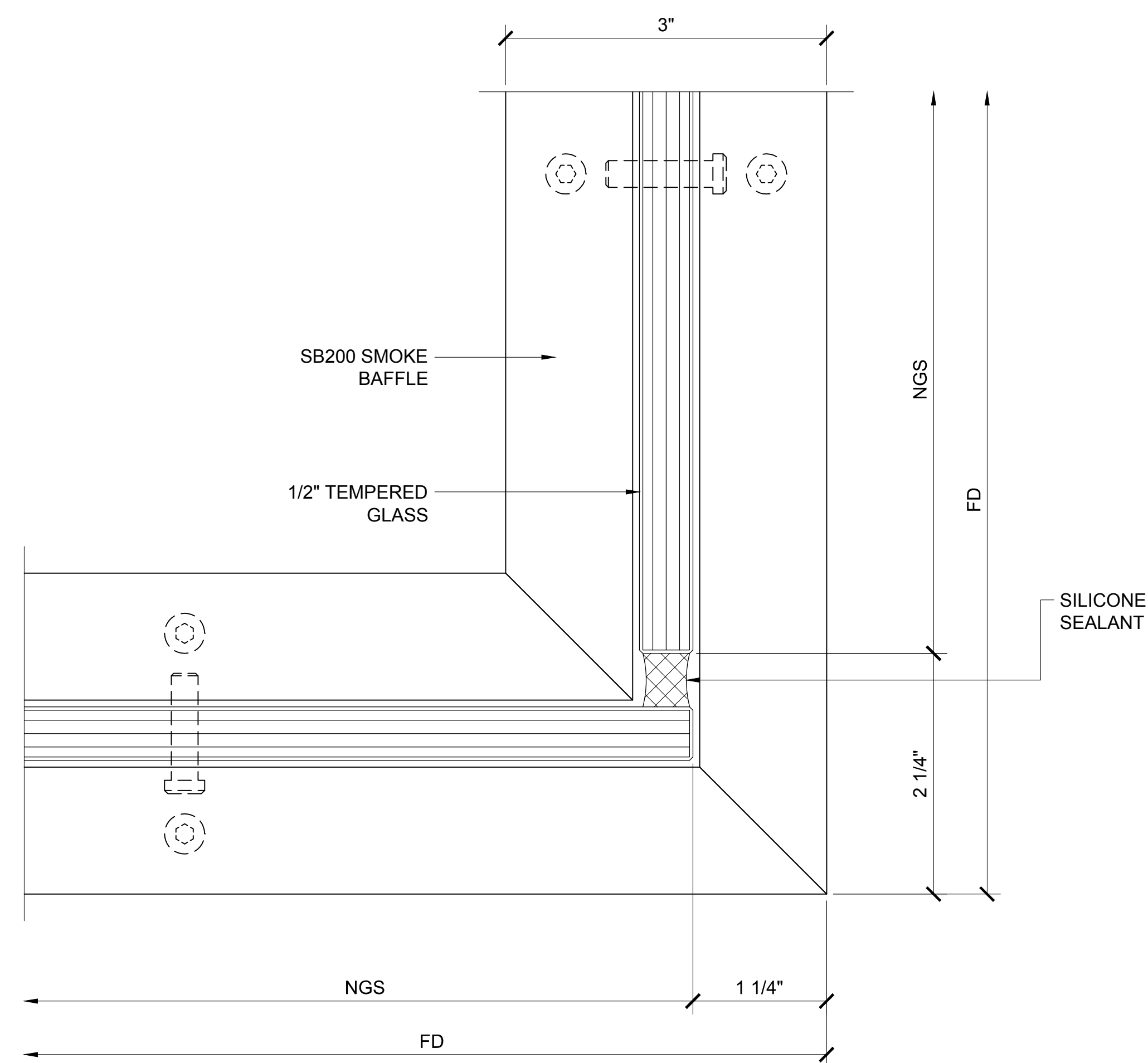
Sheet



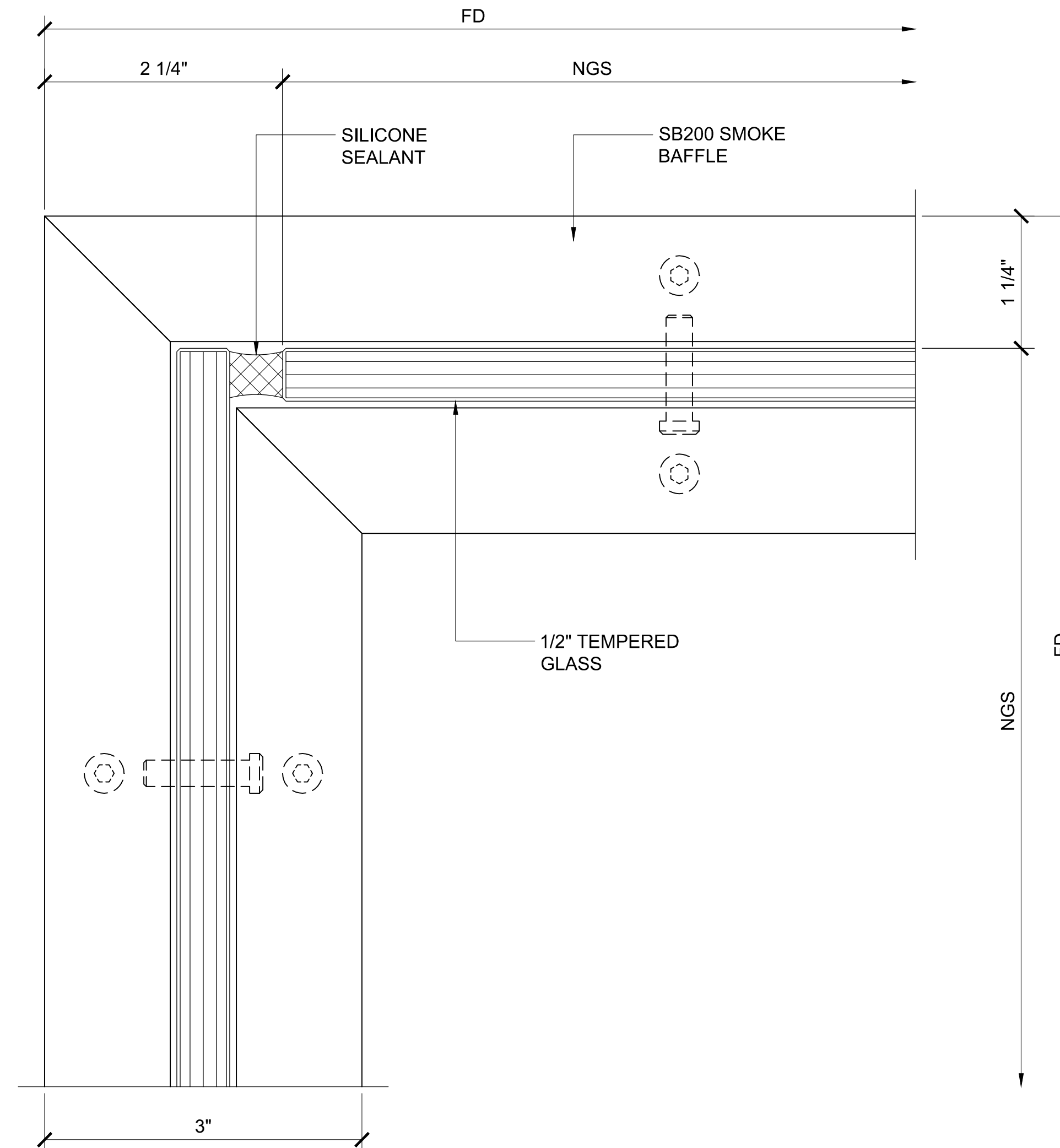
REFLECTED CEILING DETAIL AT JAMB (12)



REFLECTED CEILING DETAIL AT GLASS JOINT (13)



REFLECTED CEILING DETAIL AT OUTSIDE 90 (14)



REFLECTED CEILING DETAIL AT INSIDE 90 (15)

BLUMCRAFT SB200 SMOKE BAFFLE FOR 1/2" GLASS

Revisions By:



Description:
CRL / BLUMCRAFT
SMOKE BAFFLE SYSTEMS
FOR 1/2" AND 3/4" GLASS

Drawn By: AAD
Date: 10/4/12
Scale: AS NOTED
File Name: CRL Smoke Baffles.dwg

Sheet