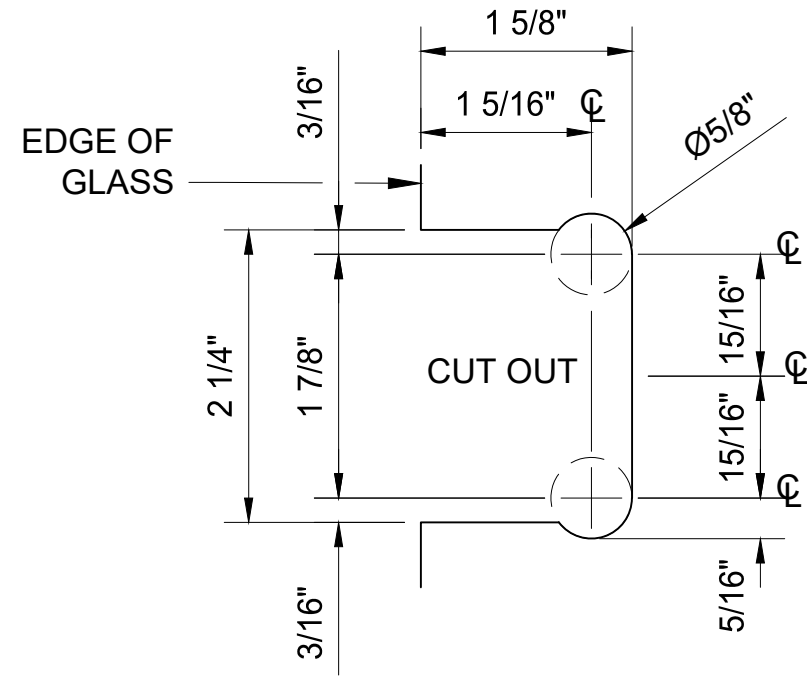
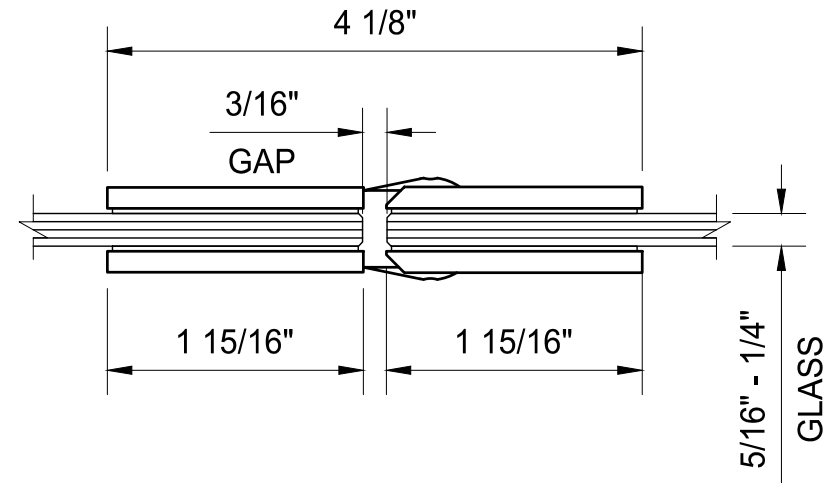
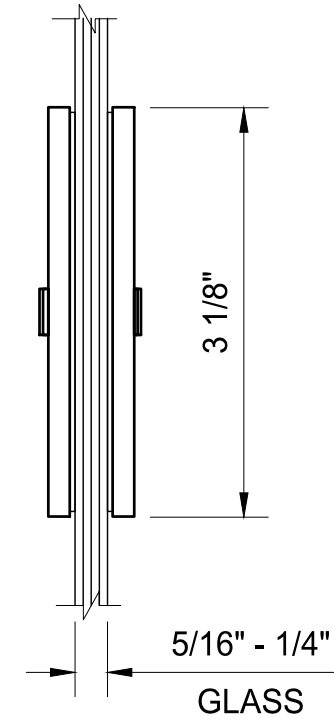
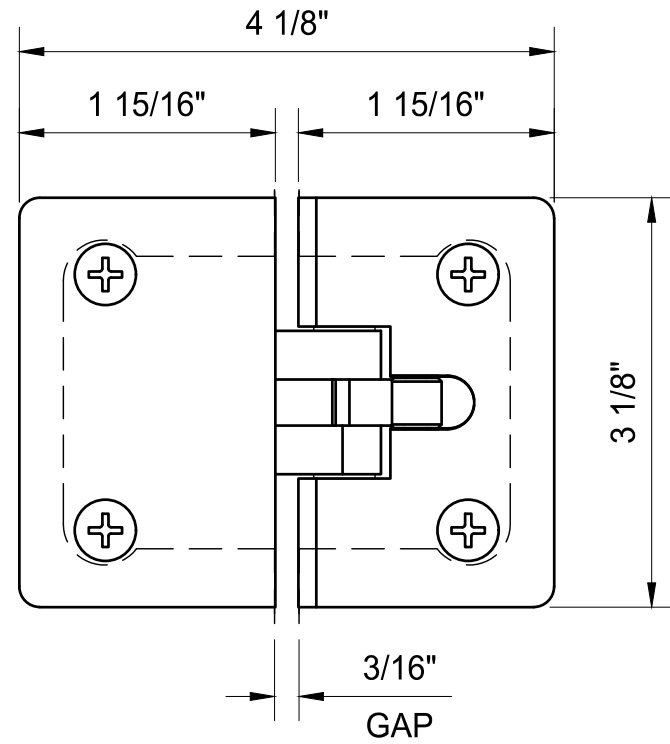


USE OF GASKETS	
FOR 1/4" (6mm) GLASS: USE ONE THICK GASKET ON EACH SIDE	
FOR 5/16" (8mm) GLASS: USE ONE THIN GASKET ON EACH SIDE	



GLASS FABRICATION TEMPLATE



CATALOG NUMBER	FINISH
M1L180CH	POLISHED CHROME
M1L180BR	POLISHED BRASS
M1L180SC	SATIN CHROME

M1L180XX - CRL MILANO 180 DEGREE GLASS TO GLASS HINGE

DATE:	3/19/19
SCALE:	6"=1'-0"
DRAWN BY:	VM

DESCRIPTION:	CRL M1L180__
	CTS
	CRL MILANO SERIES HINGE
	180 DEGREE GLASS TO GLASS MOUNT

C.R. LAURENCE CO. ARCHITECTURAL PRODUCTS  
 2503 E. Vernon Avenue, Los Angeles, C.A 90058-1897  
 PH (800)-421-6144 FX: 800-587-7501 www.crlaurence.com

