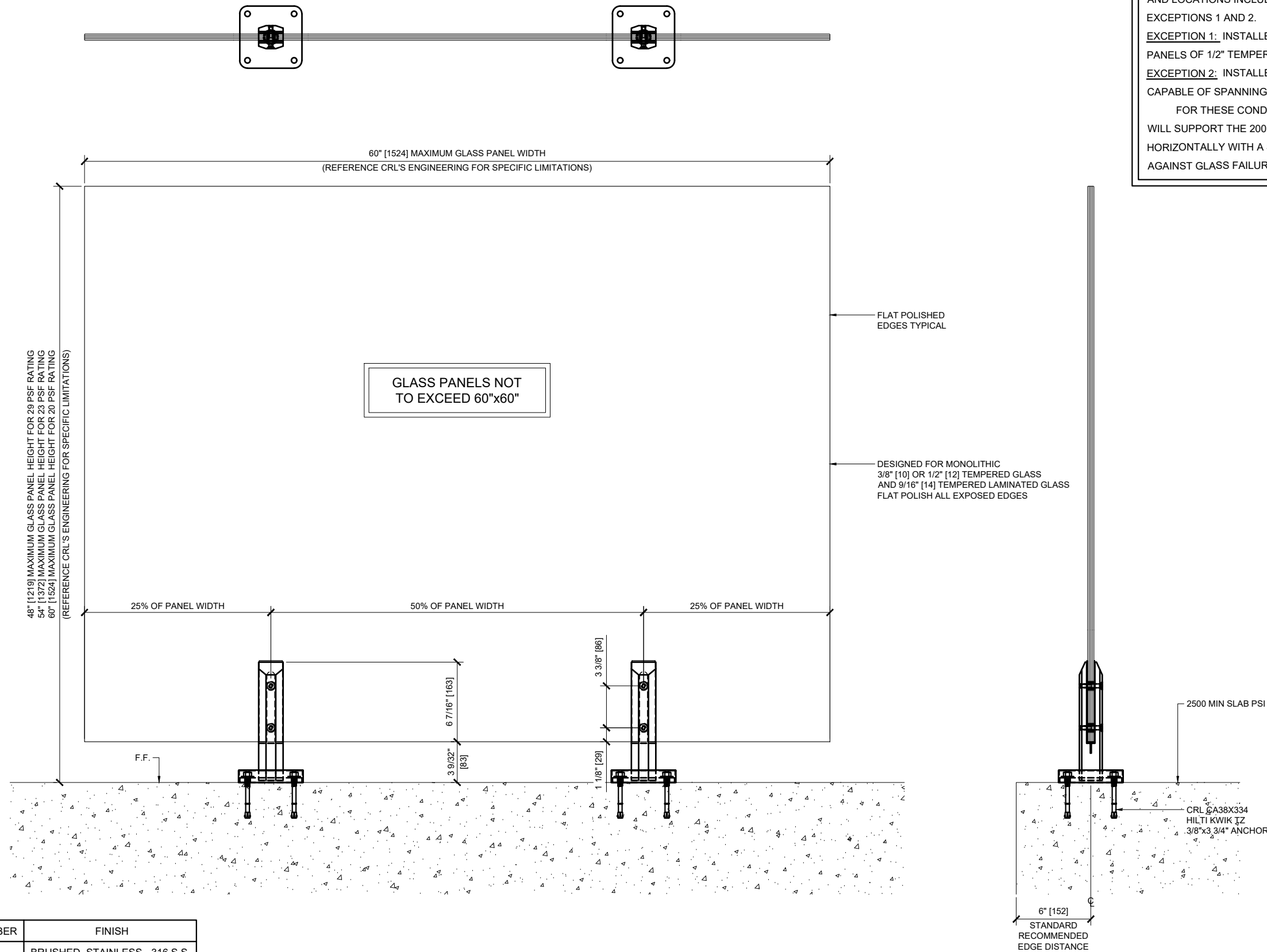


AFWC1S - CRL SURFACE MOUNT FRAMELESS WINDSCREEN CLAMPS



THESE FRAMELESS WINDSCREEN CLAMPS MAY BE USED FOR FALL PROTECTION IN ONE AND TWO-FAMILY RESIDENTIAL OCCUPANCIES AND LOCATIONS INCLUDED IN IBC 1607.8.1 EXCEPTIONS 1 AND 2.  
 EXCEPTION 1: INSTALLED WITH A MINIMUM OF 3 PANELS OF 1/2" TEMPERED GLASS.  
 EXCEPTION 2: INSTALLED WITH A TOP RAIL CAPABLE OF SPANNING 10 FEET.  
 FOR THESE CONDITIONS, THE SYSTEM WILL SUPPORT THE 200 LB LOAD VERTICALLY OR HORIZONTALLY WITH A SAFETY FACTOR OF 4.0 AGAINST GLASS FAILURE.

CATALOG NUMBER	FINISH
AFWC1SBS	BRUSHED STAINLESS - 316 S.S.
AFWC1SPS	POLISHED STAINLESS - 316 S.S.

① WINDSCREEN INTERIOR ELEVATION  
 1'-0"=1'-0"

② WINDSCREEN SECTION  
 1'-0"=1'-0"

Revisions By:

**CRL**

2503 E. Vancor Avenue, Los Angeles, CA 90058-1887  
 PH (800)-421-6144 FX 800-587-7501 www.crlaurence.com

Description:

FSC FRAMELESS WINDSCREEN SYSTEMS

Drawn By: AAD

Date: 1/15/16

Scale: AS NOTED

File Name: 07-AFWC1S-Surface Mount Frameless Windscreen System.dwg

Sheet

1.07

Revisions By:

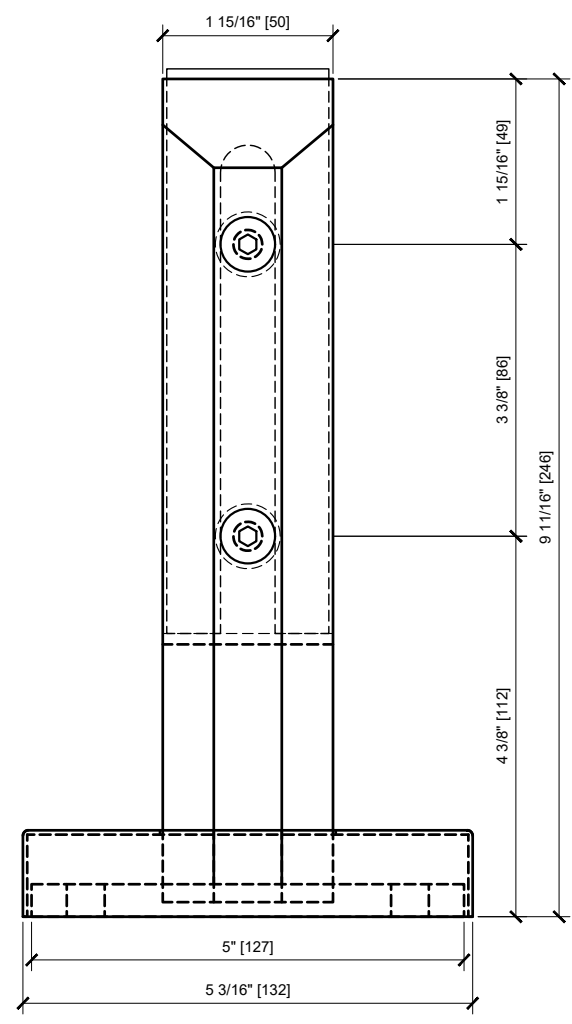
**CRL.**

2503 E. Venice Avenue, Los Angeles, CA 90058-1887  
 PH (800)-421-6144 FX 800-587-7501 www.crlaurence.com

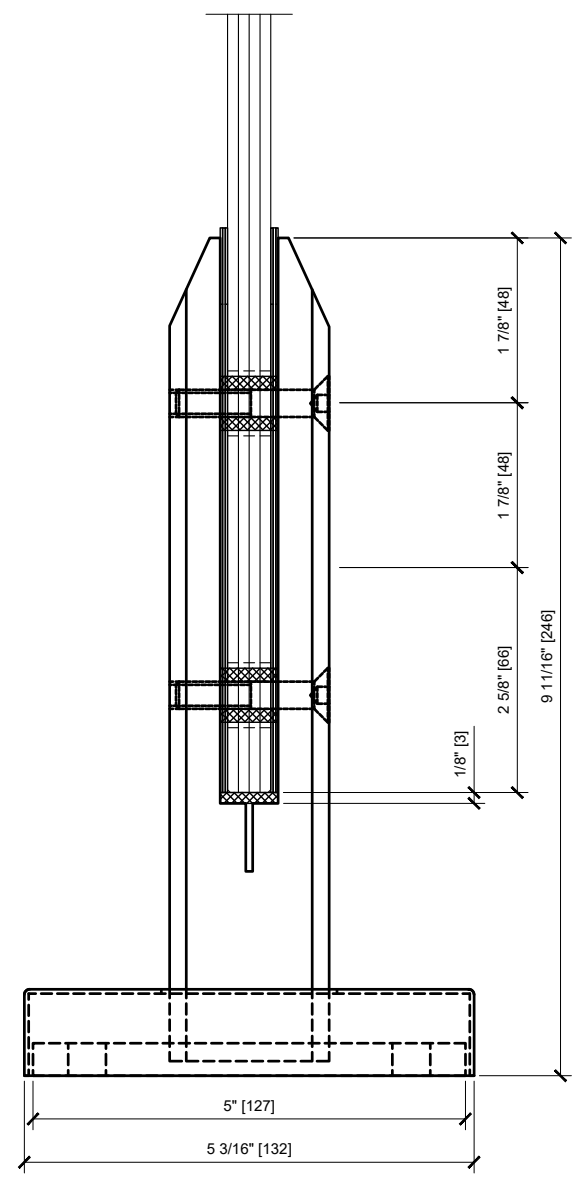
Description:  
 FSC FRAMELESS  
 WINDSCREEN SYSTEMS

Drawn By: AAD  
 Date: 1/15/16  
 Scale: AS NOTED  
 File Name: 07-AFWC1S-Surface Mount Frameless  
 Windscreen System.dwg  
 Sheet

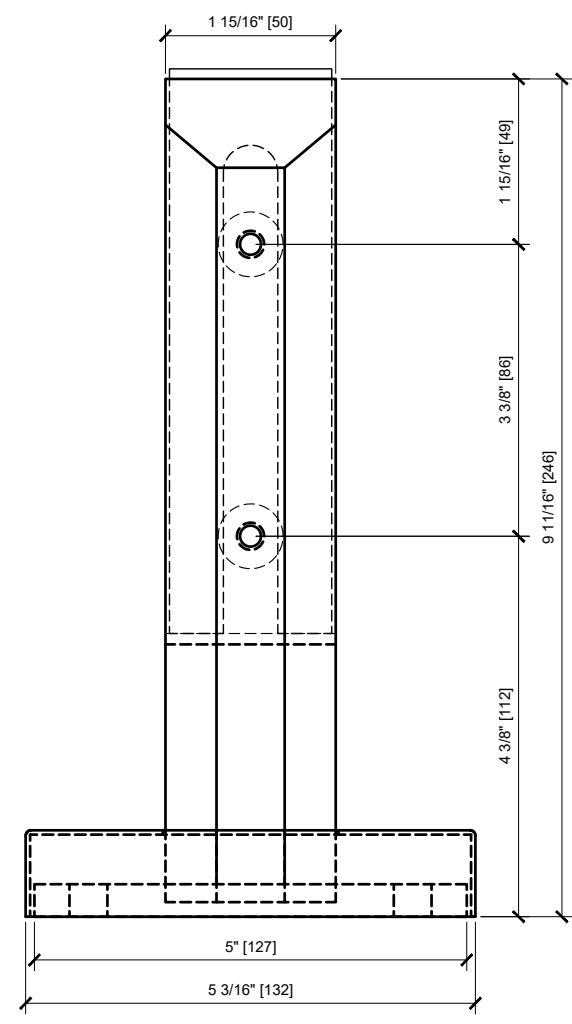
2.07



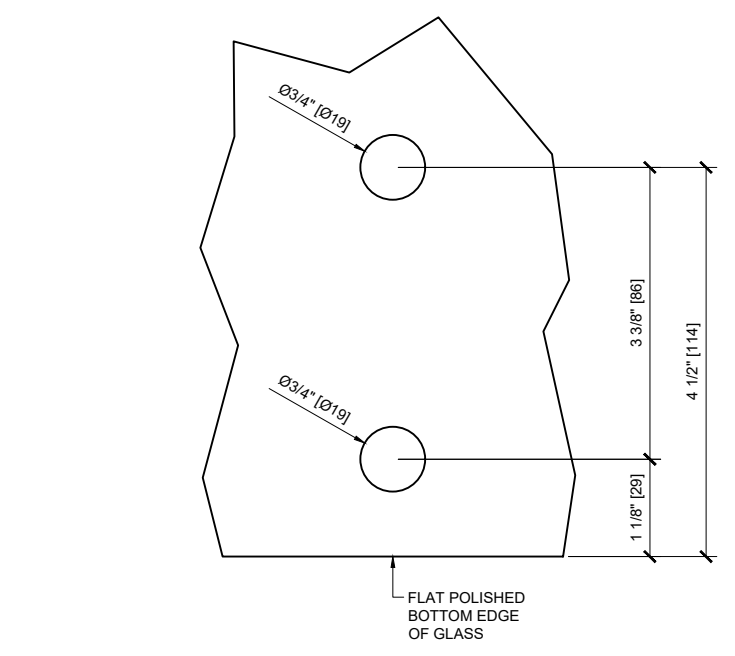
① AFWC1S FRONT VIEW  
 1'-0"=1'-0"



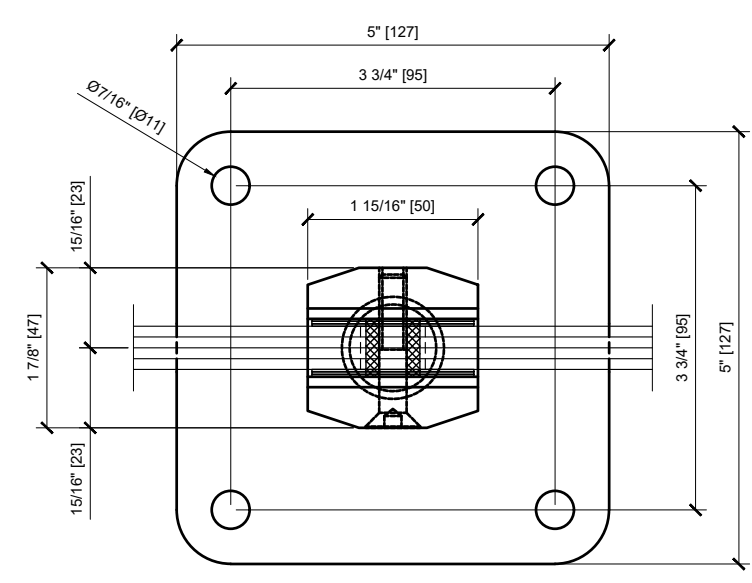
② AFWC1S SIDE VIEW  
 1'-0"=1'-0"



③ AFWC1S REAR VIEW  
 1'-0"=1'-0"



⑤ GLASS FABRICATION REQUIREMENTS  
 1'-0"=1'-0"



④ AFWC1S TOP VIEW  
 1'-0"=1'-0"