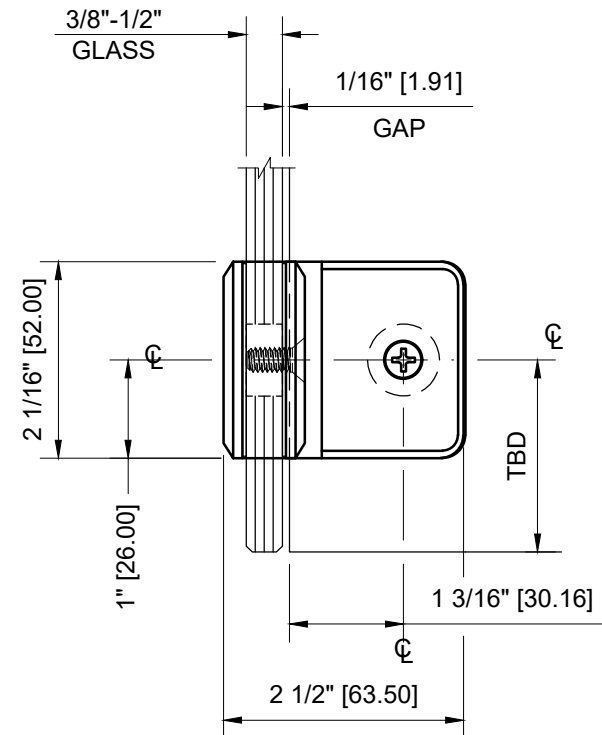
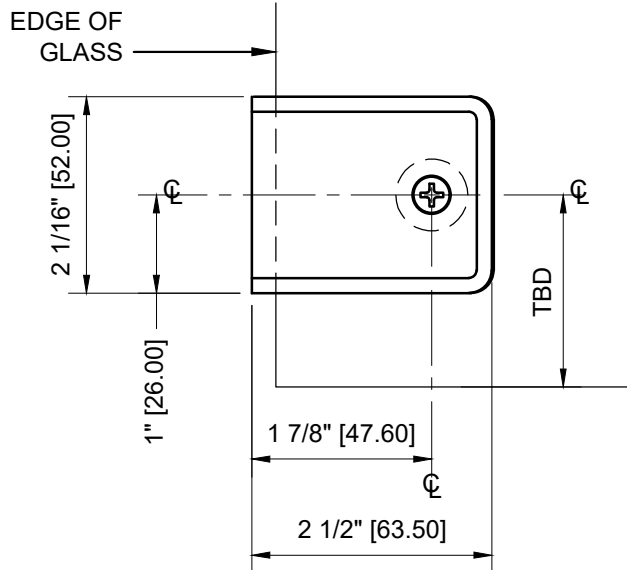
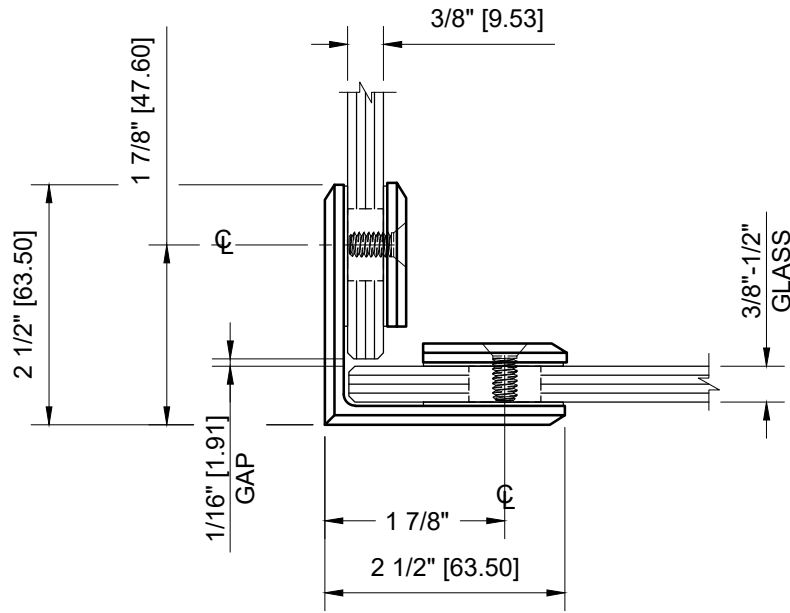


USE OF GASKETS

FOR 3/8" (10mm) GLASS:

FOR 1/2" (12mm) GLASS:



BGC90XX - CRL BEVELED STYLE 90° GLASS TO GLASS MOUNT CLAMP

CATALOG NUMBER	FINISH
BGC90CH	POLISHED CHROME
BGC90BR	POLISHED BRASS
BGC90ORB	OIL RUBBED BRONZE
BGC90ABCO	ANTIQUe BRUSHED COPPER
BGC90ABR	ANTIQUe BRASS
BGC90BBRZ	BRUSHED BRONZE
BGC90BN	BRUSHED NICKEL
BGC90BSC	BRUSHED SATIN CHROME
BGC90GP	GOLD PLATE
BGC90MBL	MATTE BLACK
BGC90PN	POLISHED NICKEL
BGC90SB	SATIN BRASS
BGC90SC	SATIN CHROME
BGC90W	WHITE

DATE: 12-9-2019
 SCALE: 6"=1'-0"
 DRAWN BY: VM

DESCRIPTION: CRL BGC90 BEVELED STYLE
 90 DEGREE GLASS TO GLASS
 MOUNT CLAMPS

C.R. LAURENCE CO. ARCHITECTURAL PRODUCTS
 2503 E. Vernon Avenue, Los Angeles, CA 90058-1897
 PH (800)-421-6144 FX: 800-587-7501 www.crlaurence.com

