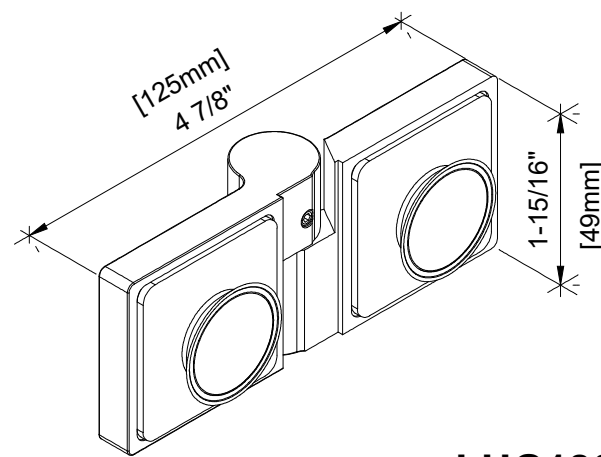
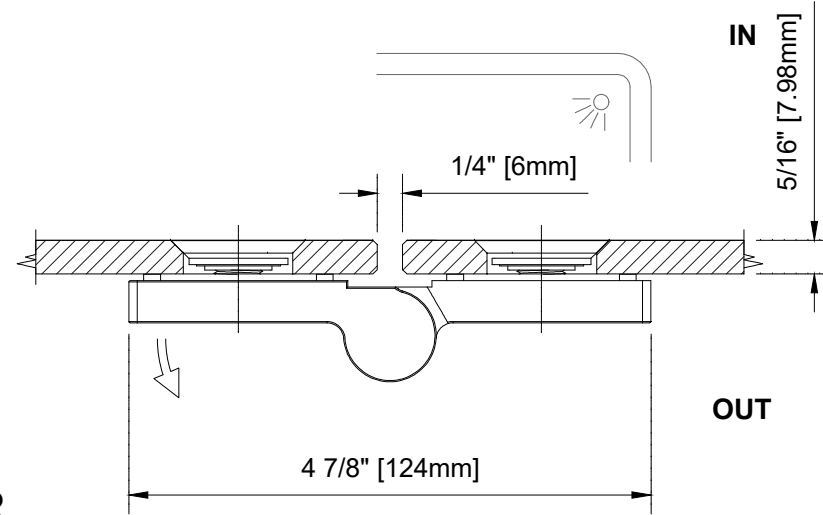
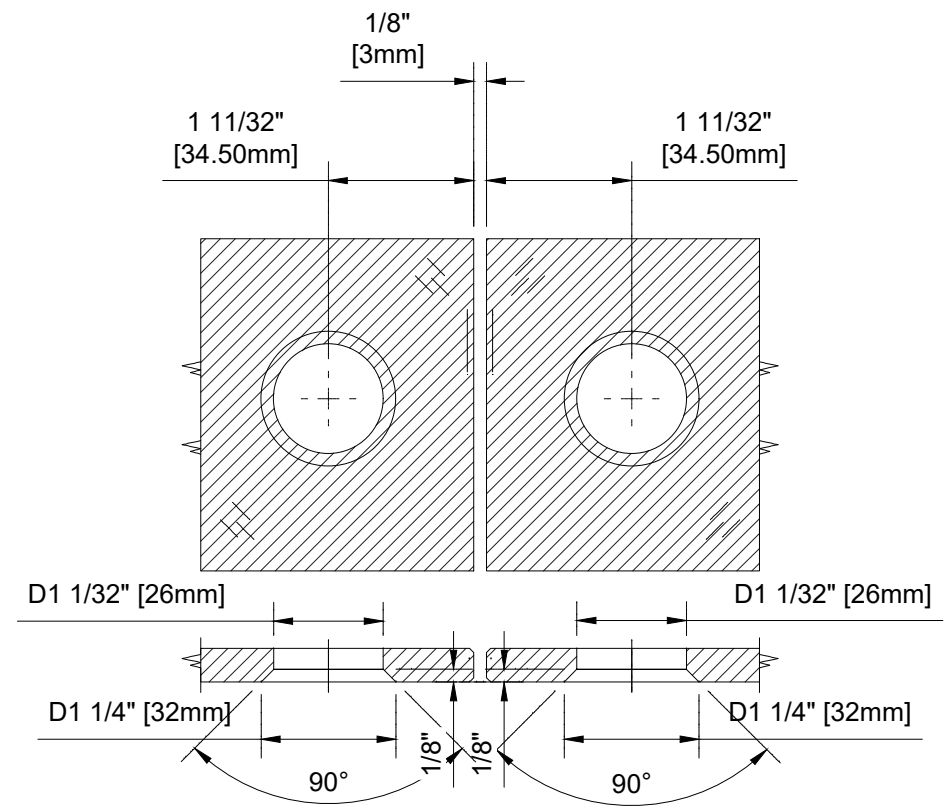
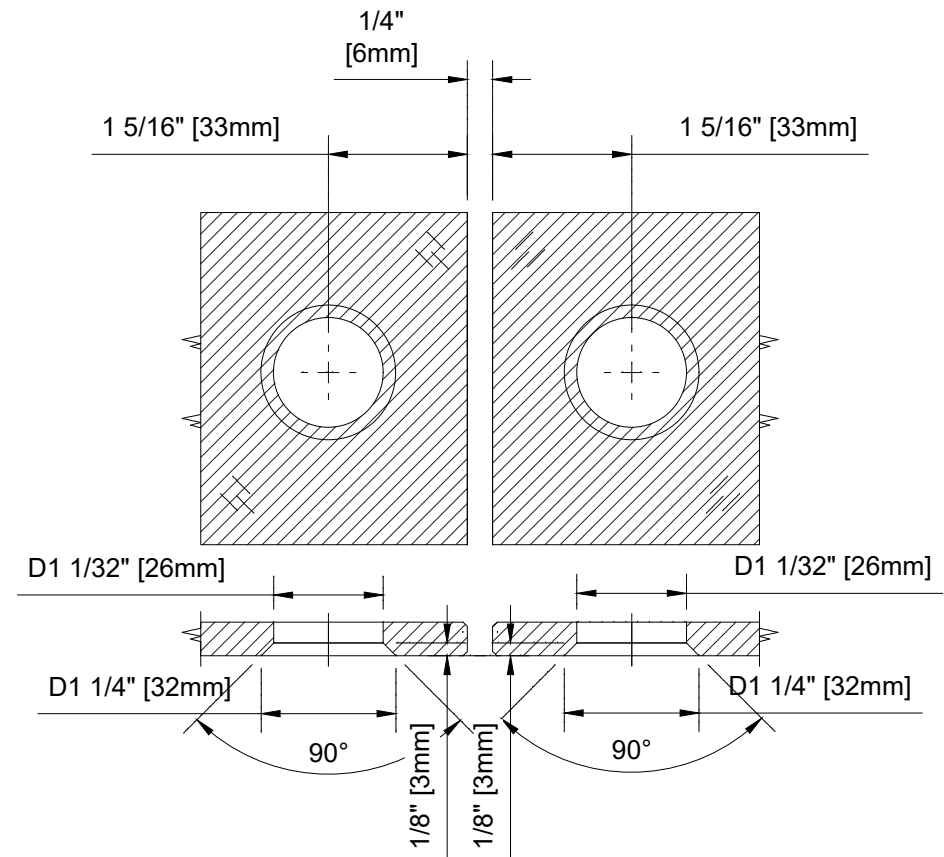
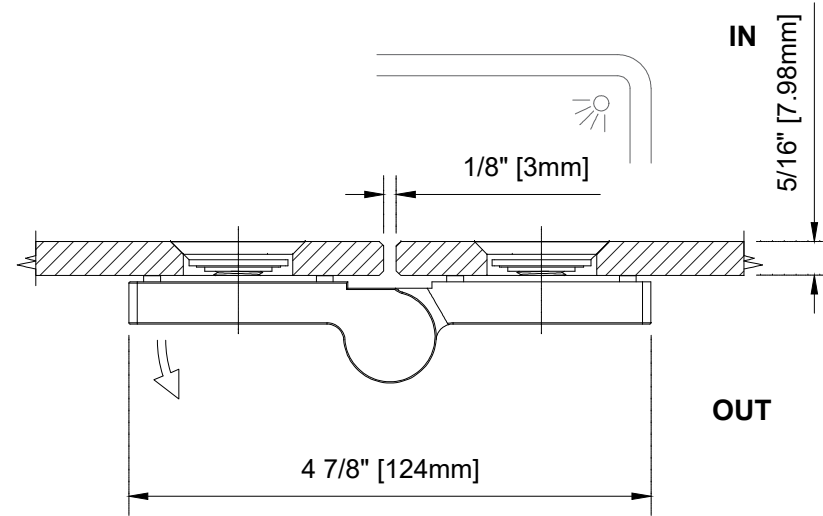


LUG180L/R
STANDARD CUTOUT
scale: 1/4" = 1'-0"



LUG180L/R
MAXIMUM GLASS PROXIMITY
scale: 1/4" = 1'-0"



REV	DESCRIPTION	DATE	APPD
A			
B			
C			
D			

THIS DRAWING AND THE DESIGN SHOWN THEREIN IS THE PROPERTY OF C.R. LAURENCE CO., INC. AND USE OR COPIES THEREOF CANNOT BE MADE WITHOUT WRITTEN CONSENT.

UNLESS OTHERWISE SPECIFIED DIMENSIONS ARE IN INCHES TOLERANCE IS:

FRACTION	±
DECIMAL	±
ANGLES	±
RAUJAW	±

IDENTIFIES CRITICAL CHARACTERISTICS FOR CRL INSPECTION

IDENTIFIES EXPOSED AREA