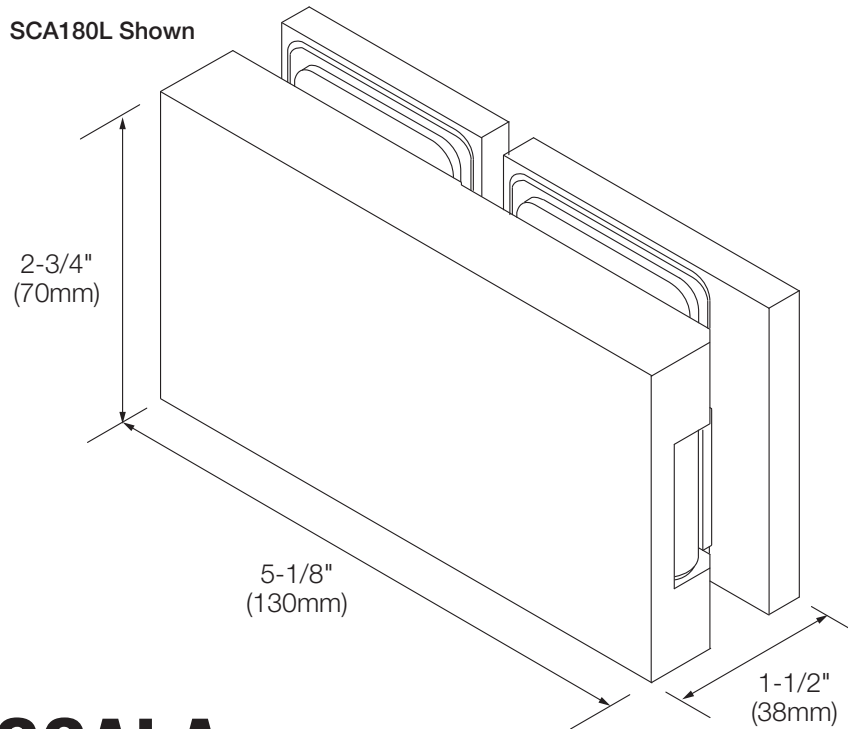




**C.R. LAURENCE CO., INC.**  
**PROFESSIONAL QUALITY**

SCA180L Shown



# SCALA

Glass-to-Glass Hinge (180°)

**CAT. NO. SCA180L & SCA180R**

*Maximum Door Capacities	5/16" (8mm) Glass		3/8" (10mm) Glass	
	Weight	Width	Weight	Width
Using 2 Hinges	100 lbs.(45 kg)	30"(762mm)	100 lbs.(45 kg)	30"(762mm)

**\*NOTE:** Do not exceed either maximum weight or width when choosing proper quantity of hinges.

**C.R. Laurence Co., Inc.**  
 crlaurence.com

For technical assistance in the United States call toll free (800) 421-6144; from Canada call toll free (877) 421-6144; Outside the U.S. and Canada call (323) 588-1281. Ask for Tech Sales at Extension 7740. Toll free fax (800) 458-7496.

## Important Information:

- 1). This is a one-direction hinge and is designed for an outswing application only.  
**A door strike is required so the door isn't allowed to swing inward and damage the door glass.**
- 2). Door can be adjusted to close up to 1-1/2° in or out.

## Specifications:

**Glass Sizes:** 5/16" (8mm) to 3/8" (10mm) thick tempered safety glass

**Construction:** Solid brass

**Closing Type:** Self-centering when within 15° of closed position

**Cutout Required**

**Includes:** Gaskets, screws and template

## Use of Gaskets:

**For 5/16" (8mm) Glass:** Use one thick gasket on each side

**For 3/8" (10mm) Glass:** Use one thin gasket on each side

## Recommendations:

For public safety, we recommend the use of only tempered safety glass. Do not use power tools when installing these hinges.

## Maintenance Guidelines:

- Never use an abrasive cleaner on the hardware. Many of the components are coated with a clear lacquer that will be irreparably damaged if subjected to harsh, abrasive chemicals. Advise your customer that drying the hardware with a clean, soft towel on a daily basis is the best way to maintain the hardware. If mineral deposits build-up, mix a couple of drops of a mild liquid soap (such as Ivory or a similar product) into a cup of warm water. Using a soft, non-abrasive cloth, clean the hardware. Rinse thoroughly with clean, warm water and dry.

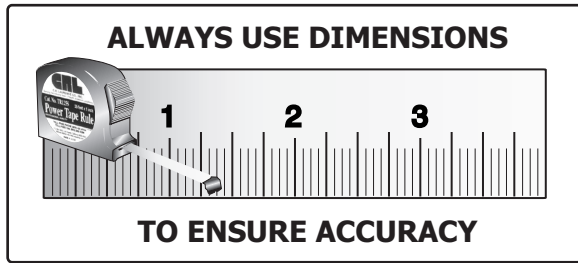
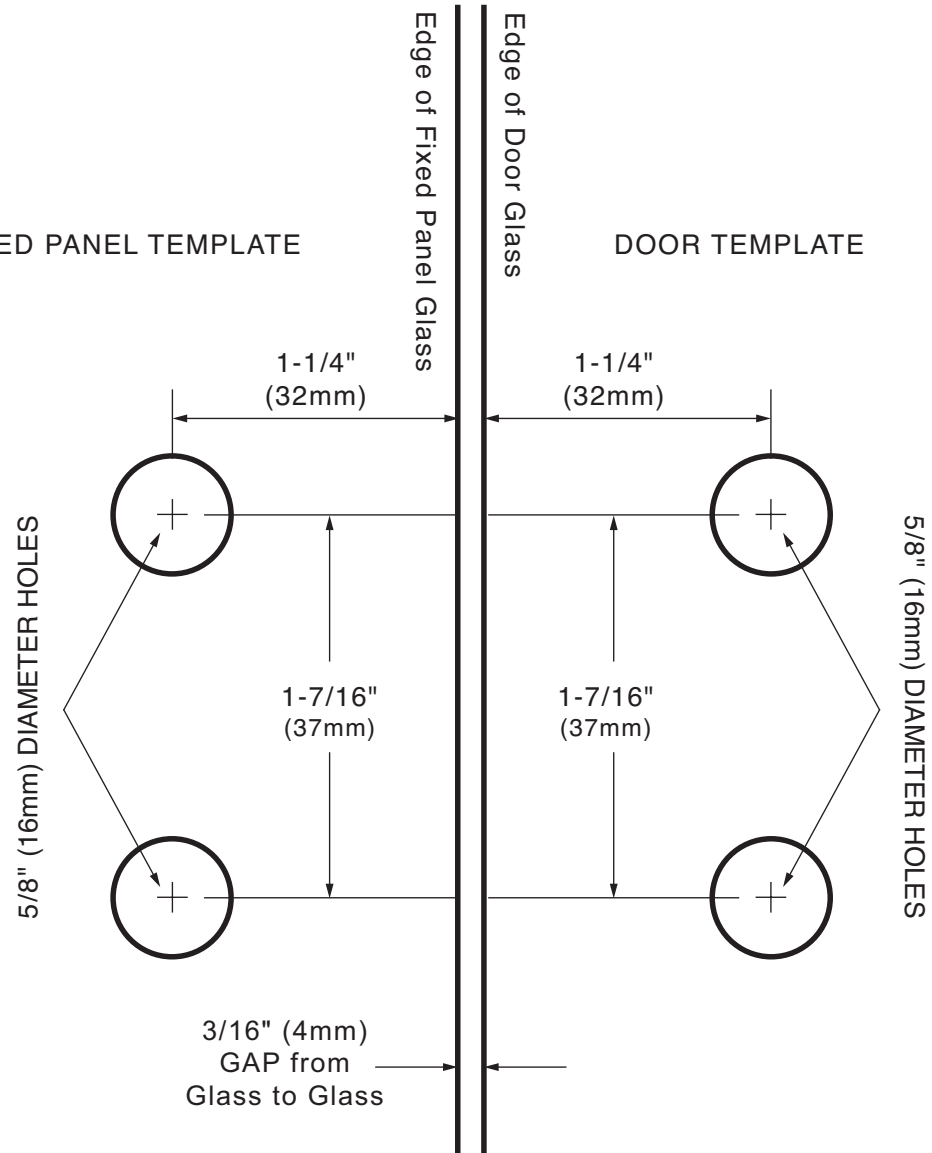


**C.R. LAURENCE CO., INC.**  
**PROFESSIONAL QUALITY**

**IMPORTANT:** Project measurements from the edge of the glass.

FIXED PANEL TEMPLATE

DOOR TEMPLATE



# SCALA

Glass-to-Glass Hinge (180°)

**CAT. NO. SCA180L & SCA180R**

C.R. Laurence Co., Inc.  
 crlaurence.com

For technical assistance in the United States call toll free (800) 421-6144; from Canada call toll free (877) 421-6144; Outside the U.S. and Canada call (323) 588-1281. Ask for Tech Sales at Extension 7740. Toll free fax (800) 458-7496.