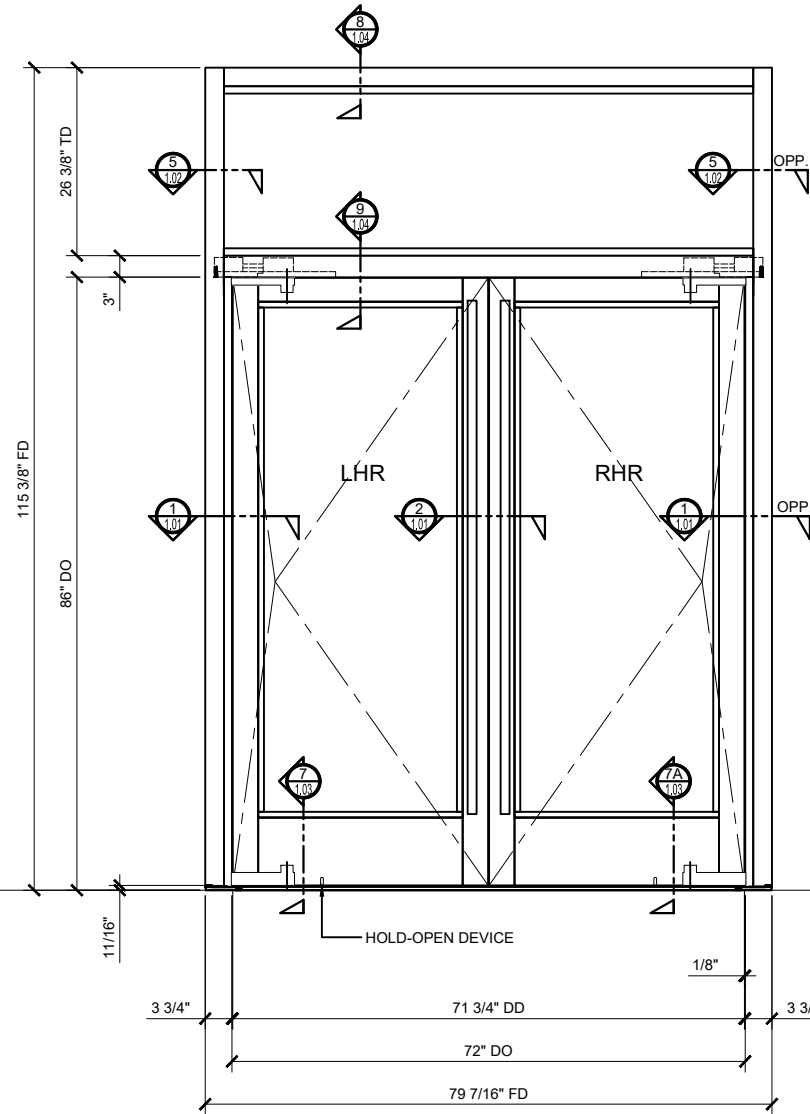


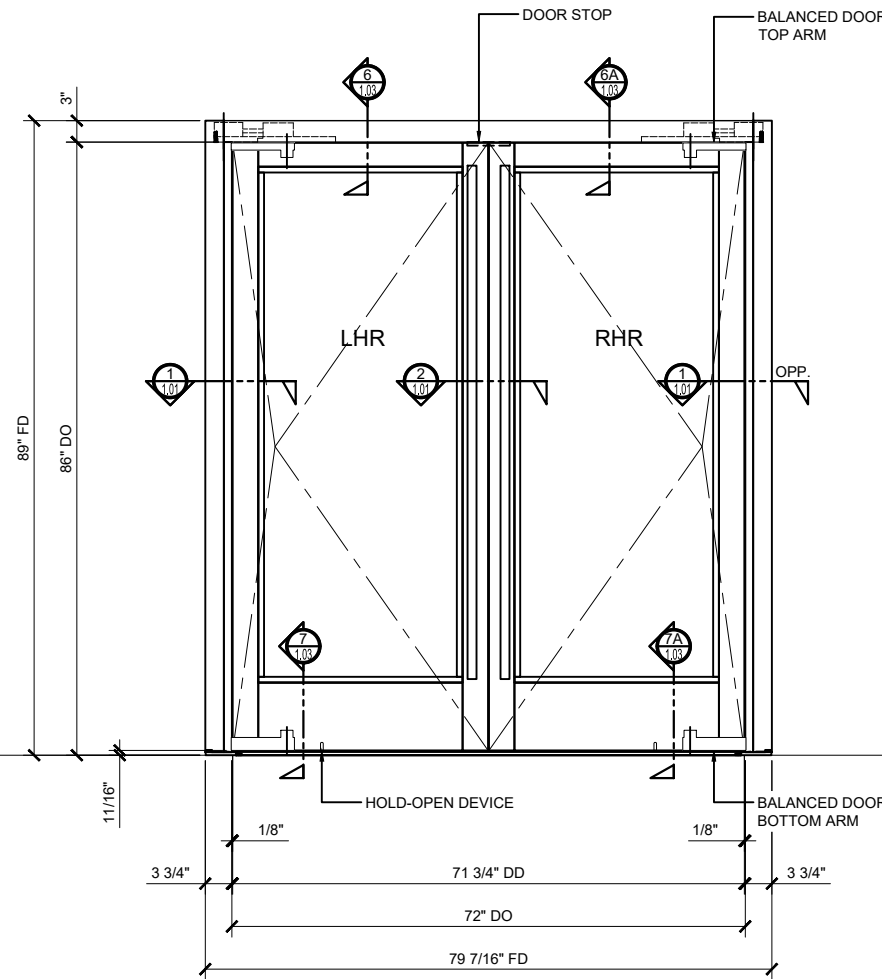
CRL PREMIUM SERIES BALANCED DOOR ALUMINUM CLAD RAIL & STILE WITH CONCEALED SHAFT

STRUCTURAL DISCLAIMER:

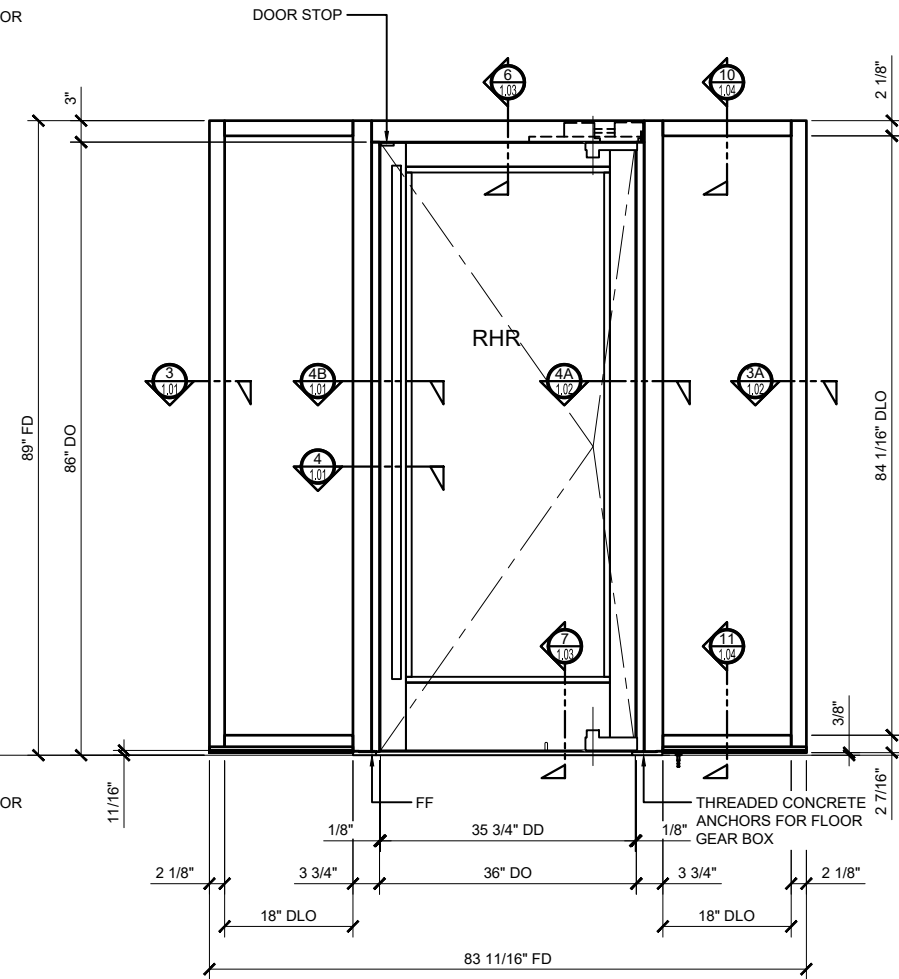
ALL CUSTOMERS WHO IN ANY WAY UTILIZE THIS PRODUCT ARE SOLELY RESPONSIBLE TO CONSULT A STRUCTURAL ENGINEER TO DETERMINE THE SUITABILITY OF THE PRODUCT FOR THE INTENDED USE AND SITE CONDITIONS. ALL INSTALLERS MUST BE QUALIFIED AND HAVE PROFESSIONAL KNOWLEDGE ABOUT COMPLIANCE WITH LOCAL, STATE AND FEDERAL REGULATIONS, SAFETY FACTORS, AND THE APPROPRIATE CHOICE OF FIXING MATERIAL AND PROCEDURES.



CRL PREMIUM SERIES BALANCED DOOR
U.S. ALUMINUM CLAD RAIL & STILE WITH CONCEALED SHAFT
PAIR DOORS WITH TRANSOM ELEVATION

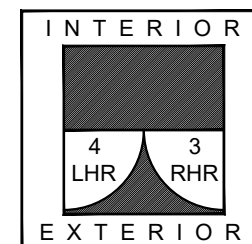


CRL PREMIUM SERIES BALANCED DOOR
U.S. ALUMINUM CLAD RAIL & STILE WITH CONCEALED SHAFT
PAIR DOORS ELEVATION



CRL PREMIUM SERIES BALANCED DOOR
U.S. ALUMINUM CLAD RAIL & STILE WITH CONCEALED SHAFT
SINGLE DOOR WITH SIDELITE ELEVATION

DOOR SWING CHART



STANDARD ABBREVIATIONS

- RO ROUGH OPENING
- FD FRAME DIMENSION
- DLO DAYLIGHT OPENING
- DO DOOR OPENING
- DD DOOR DIMENSION
- TD TRANSOM DIMENSION
- FF FLOOR FIDDING

Revisions By:

CRL

2632 E. Ventura Avenue, Los Angeles, CA 90058-1887
PH: (800)-421-0144 FX: 800-597-7501 www.crlusa.com

Description:

CRL PREMIUM SERIES
BALANCED DOOR
U.S. ALUMINUM CLAD
RAIL & STILE

Drawn By: TGM

Date: 11/15/18

Scale: AS NOTED

File Name:

PS BD - U.S. ALUM CLAD RAIL & STILE.dwg

Sheet

1

Revisions By:

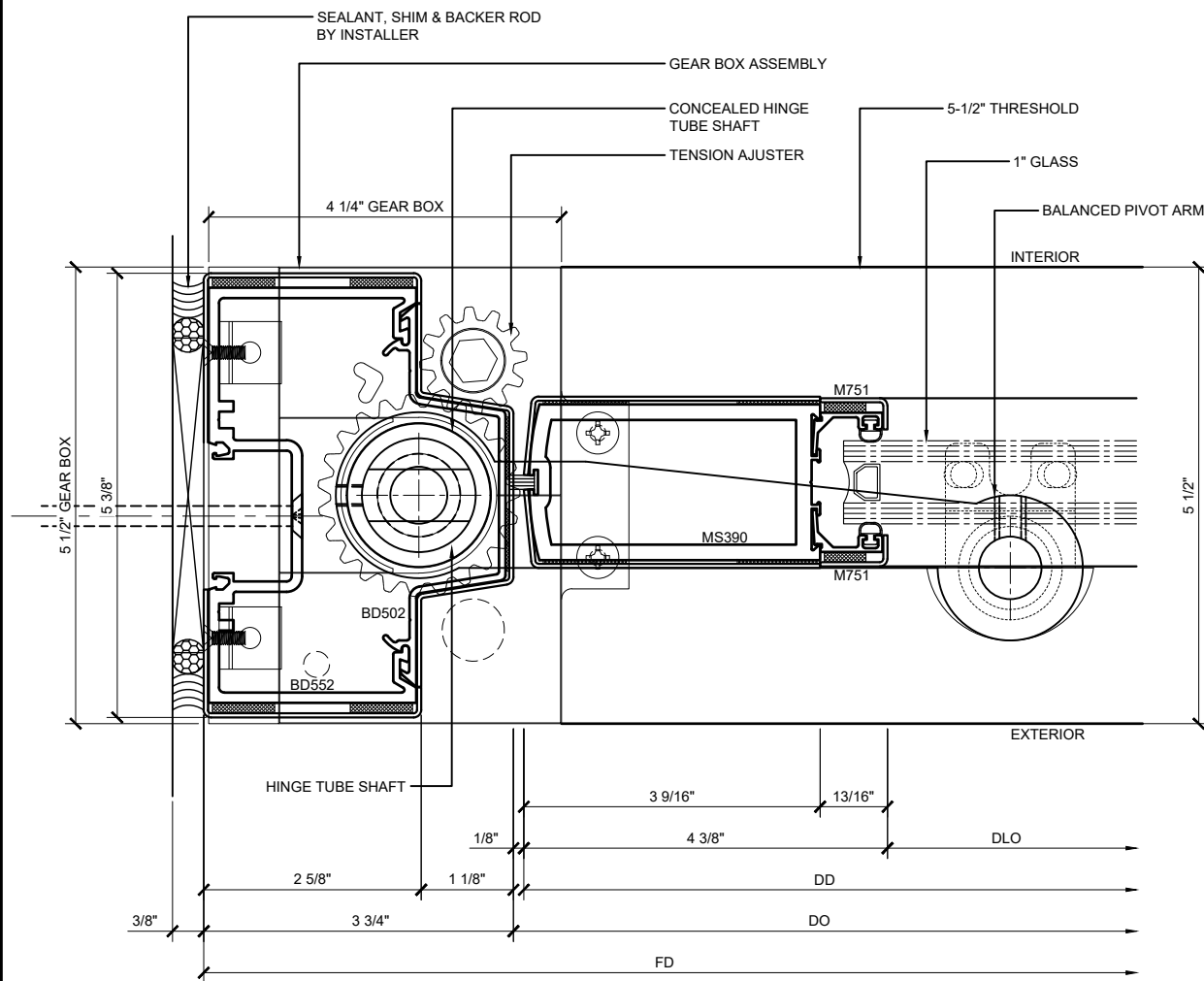
CRL

2632 E. Ventura Avenue, Los Angeles, CA 90058-1887
PH: (800)-421-9144 / (310)-597-7501 www.crlusa.com

Description:
CRL PREMIUM SERIES
BALANCED DOOR
U.S. ALUMINUM CLAD
RAIL & STILE

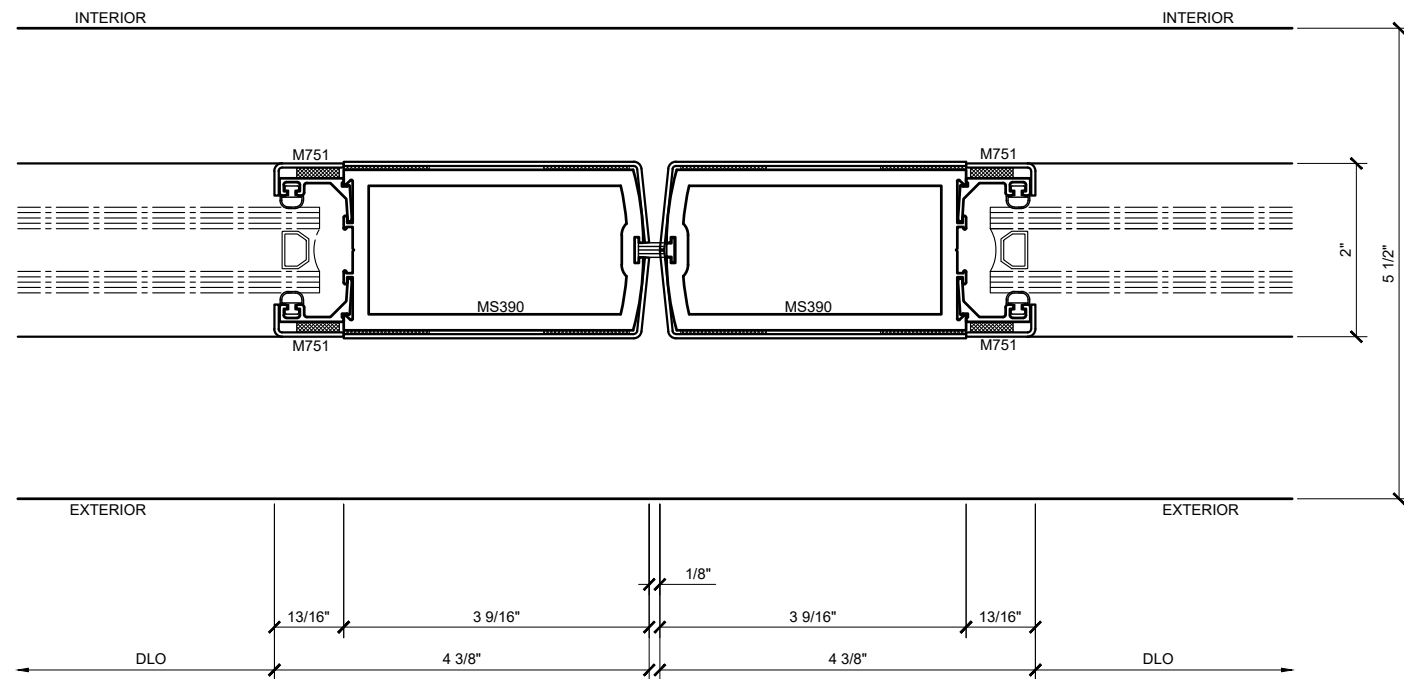
Drawn By: TGM
Date: 11/15/18
Scale: AS NOTED
File Name:
PS BD - U.S. ALUM CLAD RAIL & STILE.dwg
Sheet

1.01



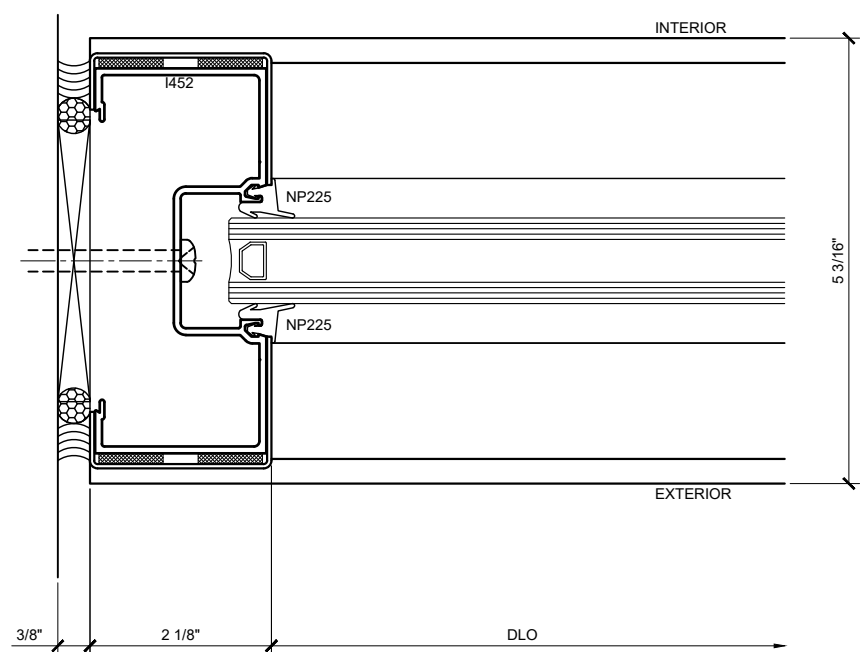
① DOOR PIVOT JAMB DETAIL

ARCH REF: N/A 1'-0"=1'-0"



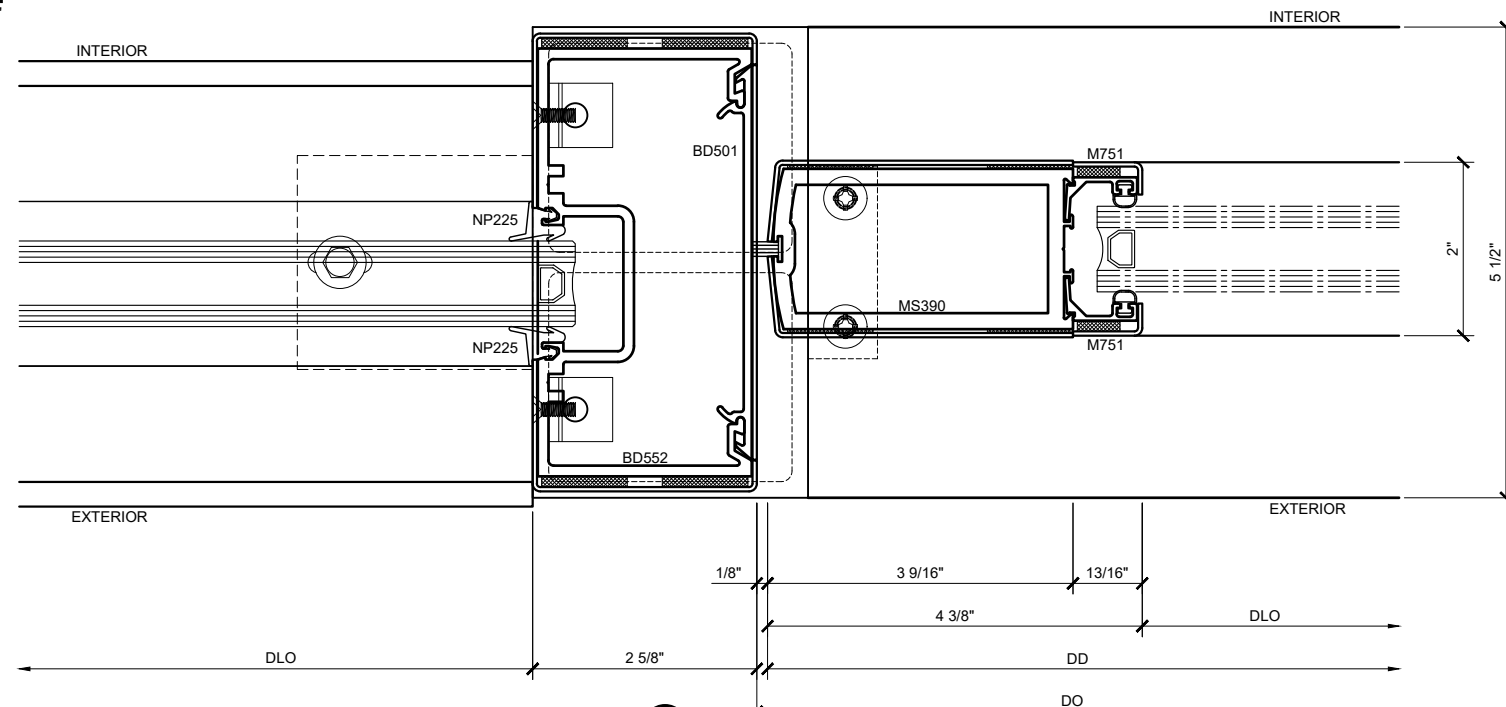
② MEETING STILES DETAIL

ARCH REF: N/A 1'-0"=1'-0"



③ JAMB DETAIL AT SIDELITE

ARCH REF: N/A 1'-0"=1'-0"



④ DOOR STRIKE JAMB AT SIDELITE DETAIL

ARCH REF: N/A 1'-0"=1'-0"

PREMIUM SERIES ALUMINUM CLAD RAIL & STILE BALANCED DOORS DETAILS / 5" JAMB / CONCEALED SHAFT

Revisions By:

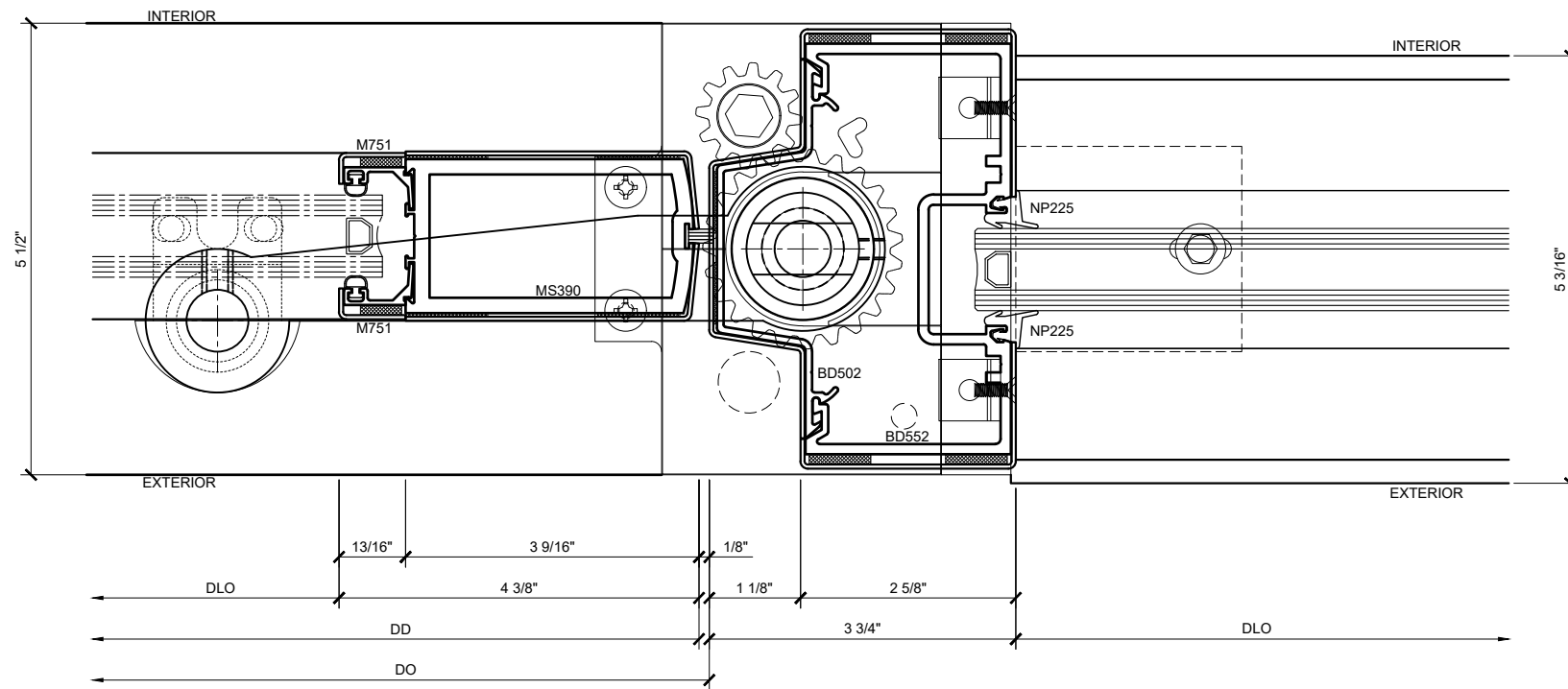
CRL

2632 E. Ventura Avenue, Los Angeles, CA 90058-1887
PH: (800)-421-0144 / (310)-591-7501 / www.crlusa.com

Description:
CRL PREMIUM SERIES
BALANCED DOOR
U.S. ALUMINUM CLAD
RAIL & STILE

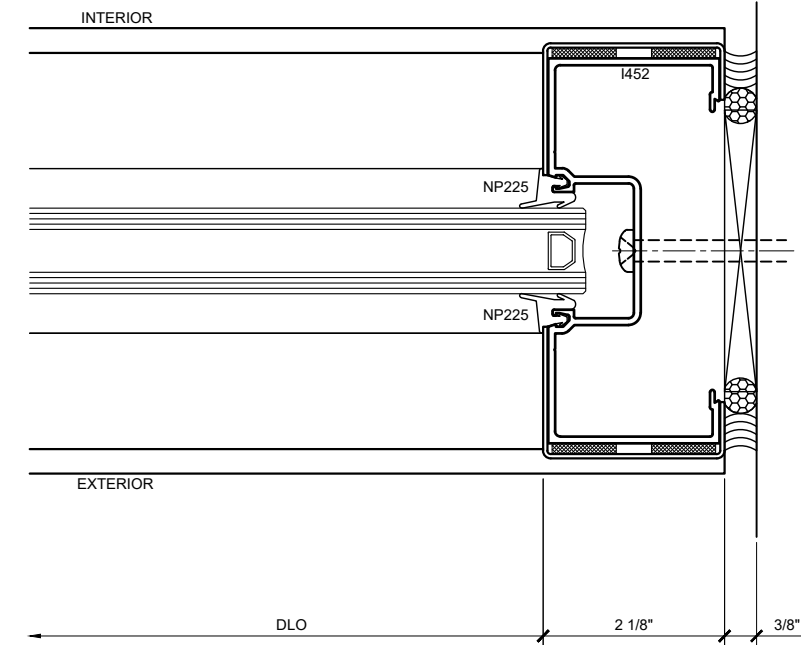
Drawn By: TGM
Date: 11/15/18
Scale: AS NOTED
File Name:
PS BD - U.S. ALUM CLAD RAIL & STILE.dwg
Sheet

1.02



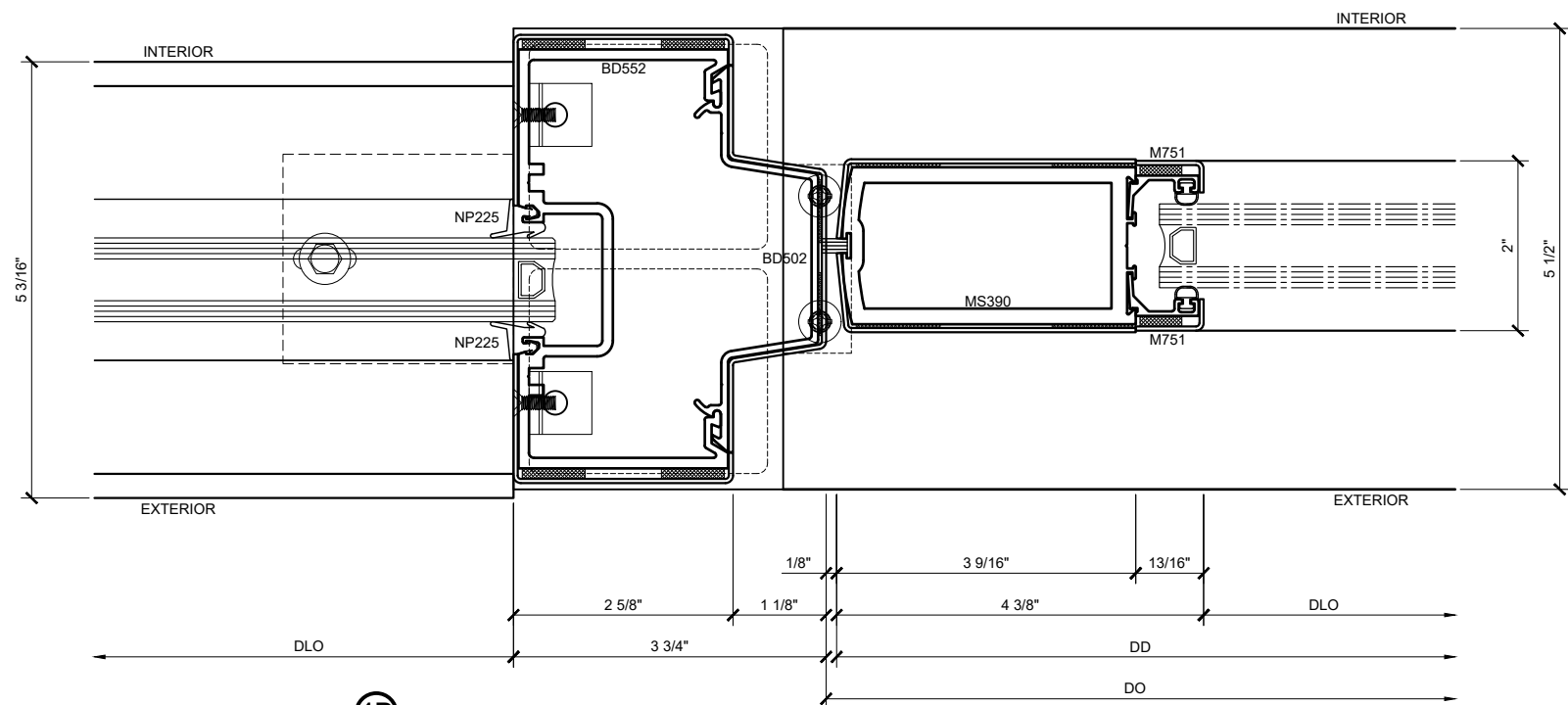
4A DOOR PIVOT JAMB SIDELITE DETAIL

ARCH REF: N/A 1'-0"=1'-0"



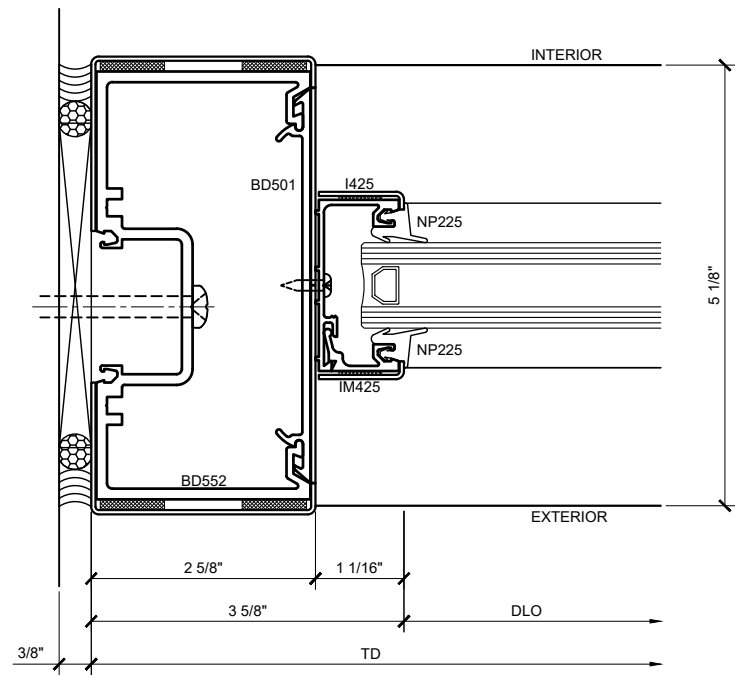
3A JAMB DETAIL

ARCH REF: N/A 1'-0"=1'-0"



4B DOOR STRIKE JAMB AT SIDELITE DETAIL

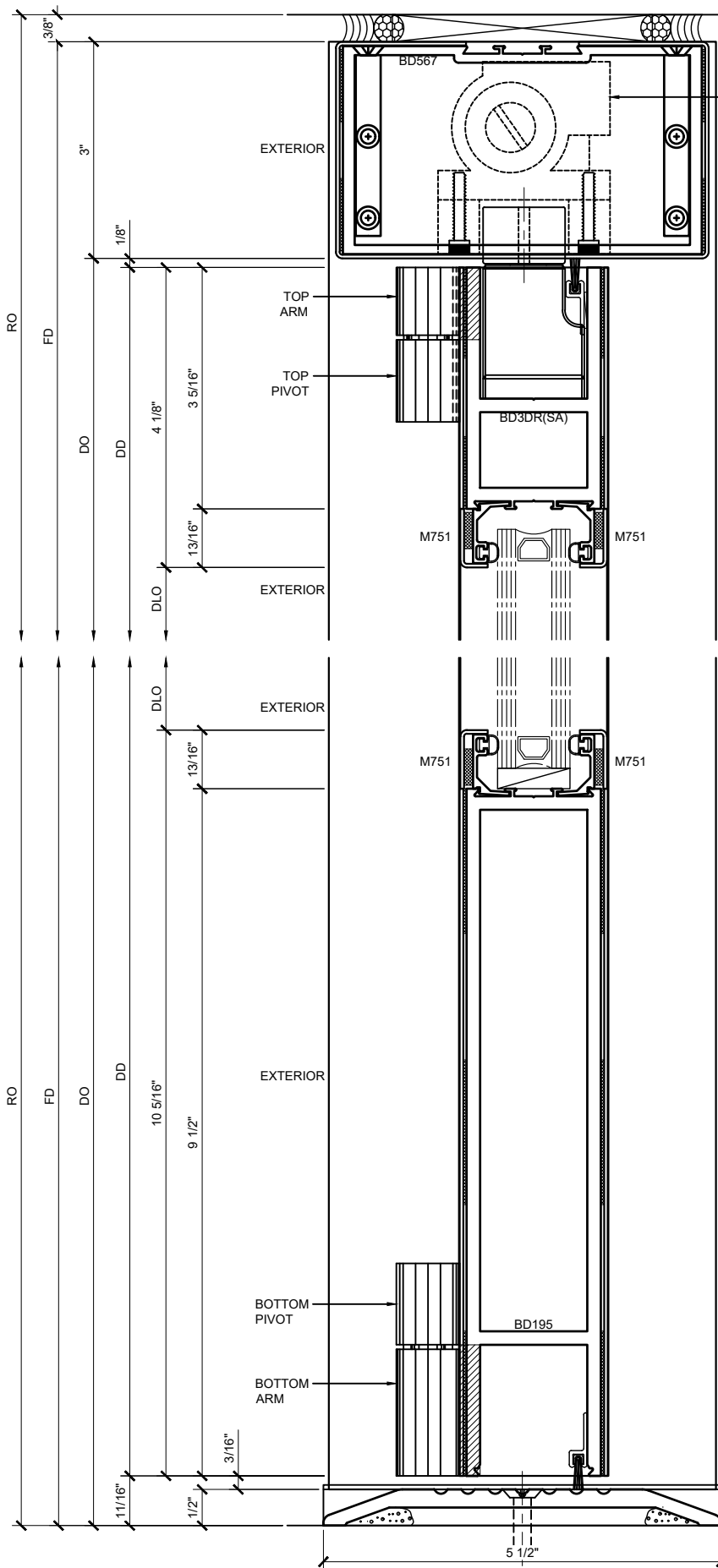
ARCH REF: N/A 1'-0"=1'-0"



5 TRANSOM DETAIL

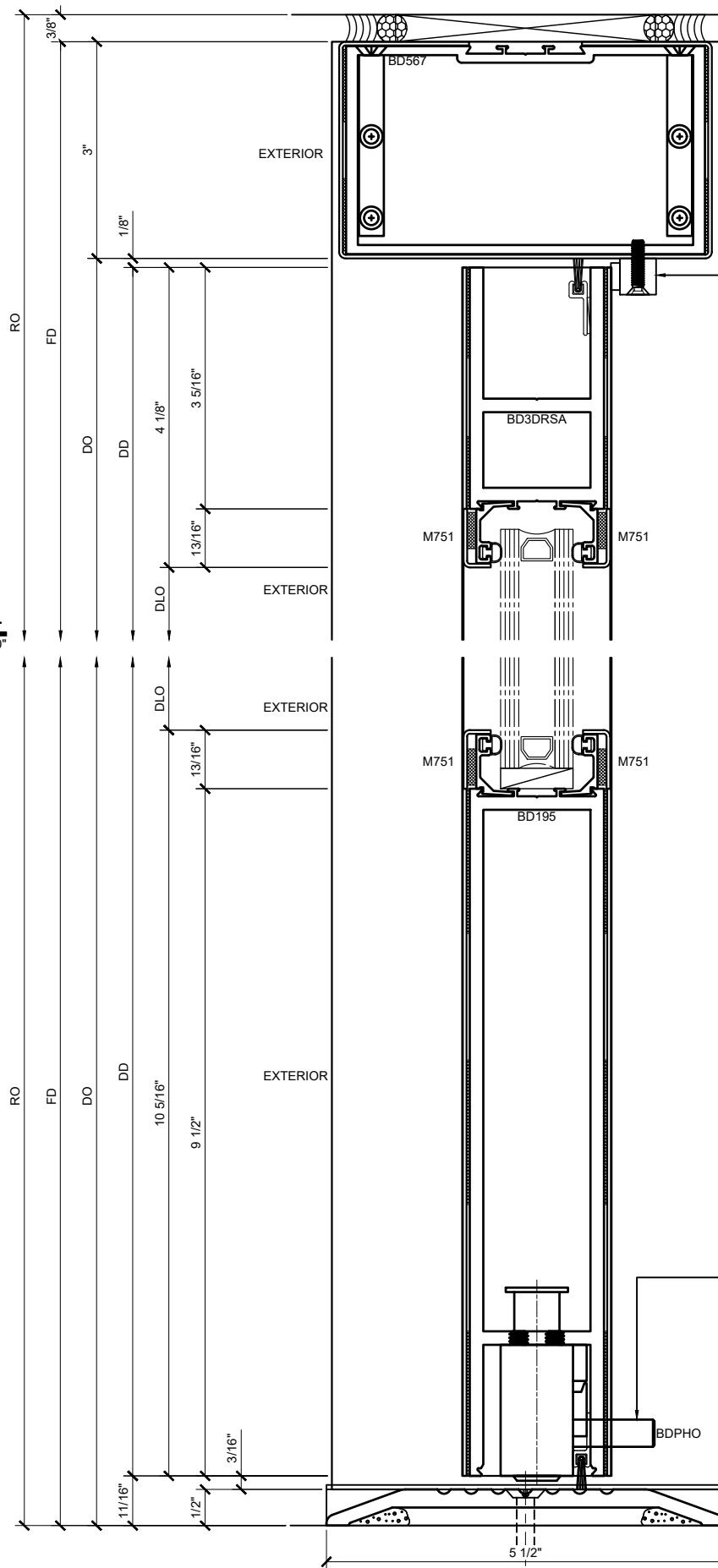
ARCH REF: N/A 1'-0"=1'-0"

PREMIUM SERIES ALUMINUM CLAD RAIL & STILE BALANCED DOORS DETAILS / 5" JAMB / CONCEALED SHAFT



6 DOOR HEAD DETAIL
 ARCH REF: N/A 1'-0"=1'-0"

7 DOOR SILL DETAIL
 ARCH REF: N/A 1'-0"=1'-0"



6A DOOR HEAD DETAIL
 ARCH REF: N/A 1'-0"=1'-0"

7A DOOR SILL DETAIL
 ARCH REF: N/A 1'-0"=1'-0"

PREMIUM SERIES ALUMINUM CLAD RAIL & STILE BALANCED DOORS DETAILS / 5" JAMB / CONCEALED SHAFT

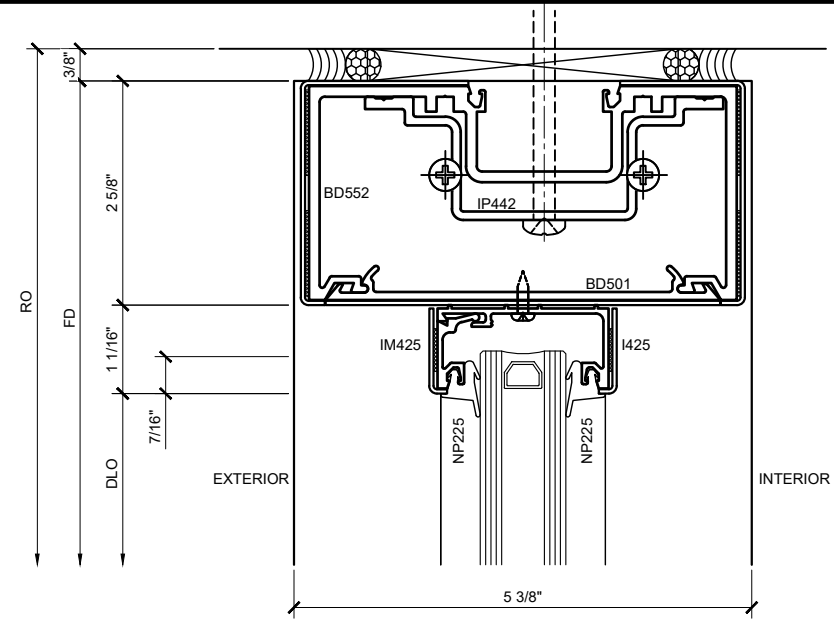
Revisions By:

CRL

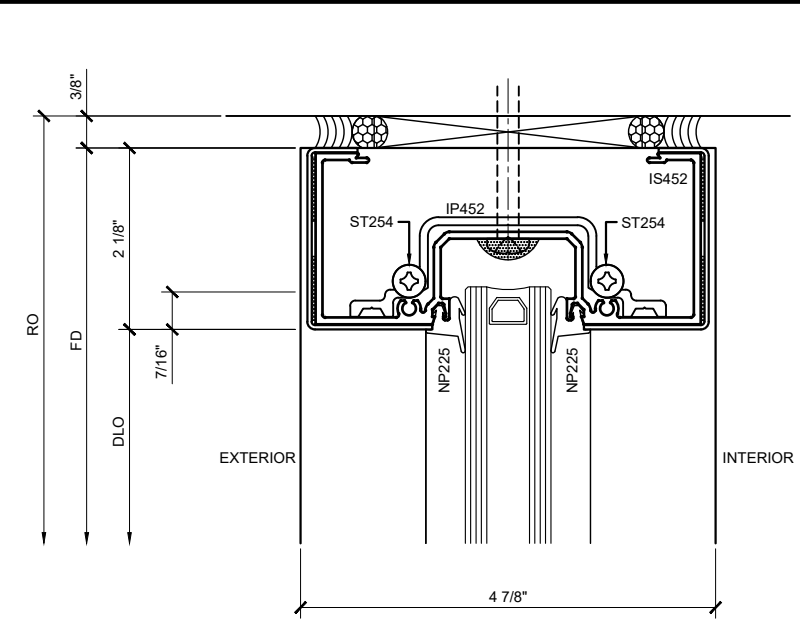
2632 E. Ventura Avenue, Los Angeles, CA 90058-1887
 PH: (800)-421-9144 FX: 800-597-7501 www.crlusa.com

Description:
 CRL PREMIUM SERIES
 BALANCED DOOR
 U.S. ALUMINUM CLAD
 RAIL & STILE

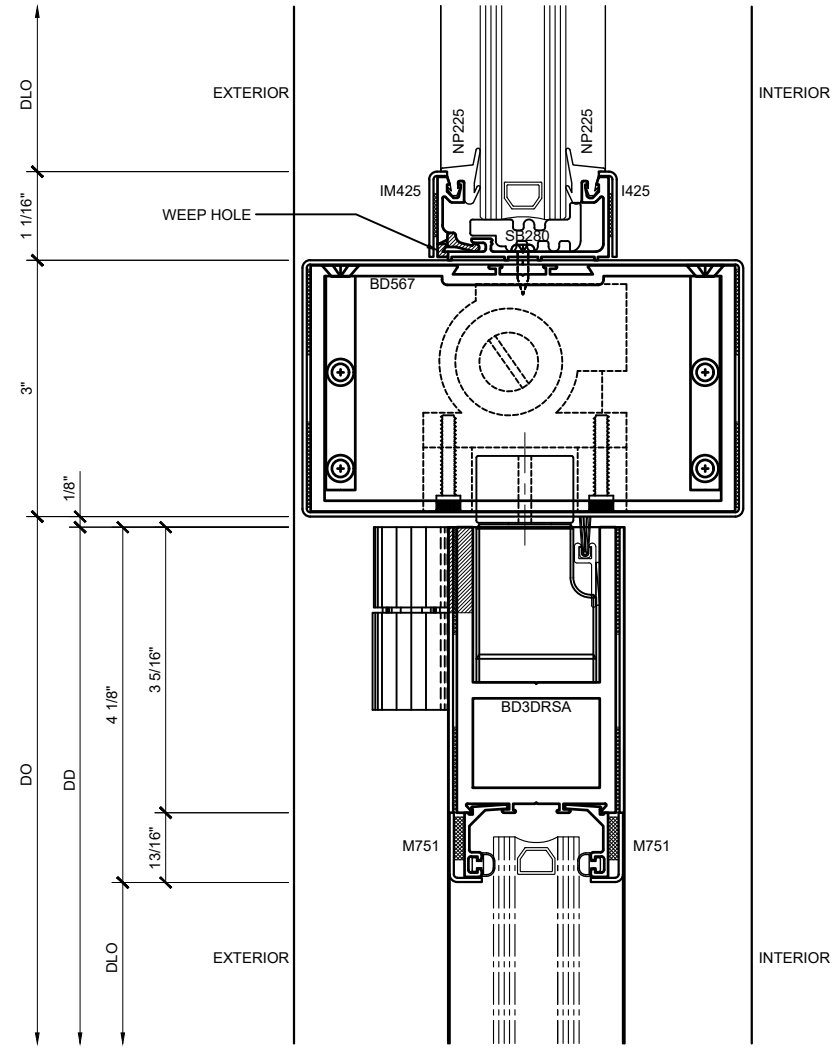
Drawn By: TGM
 Date: 11/15/18
 Scale: AS NOTED
 File Name:
 PS BD - U.S. ALUM CLAD RAIL & STILE.dwg
 Sheet



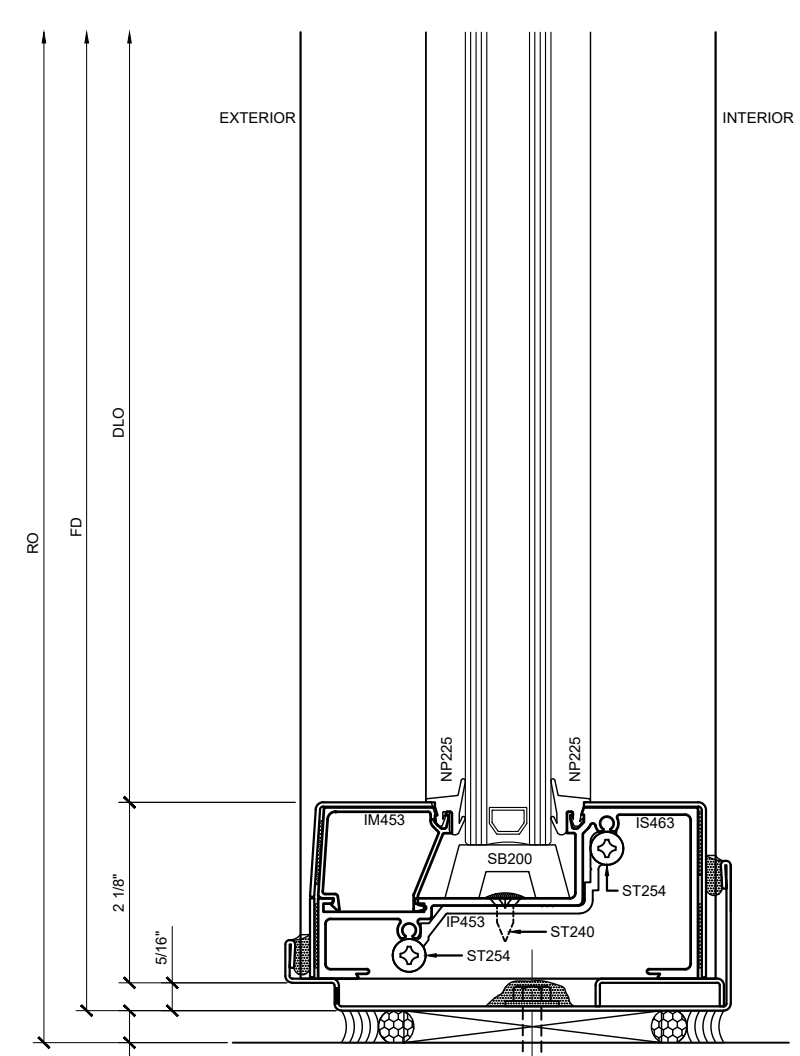
⑧ HEAD DETAIL
 ARCH REF: N/A 1'-0"=1'-0"



⑩ HEAD DETAIL
 ARCH REF: N/A 1'-0"=1'-0"



⑨ DOOR HEAD DETAIL AT TRANSOM
 ARCH REF: N/A 1'-0"=1'-0"



⑪ SILL DETAIL AT SIDELITE
 ARCH REF: N/A 1'-0"=1'-0"

PREMIUM SERIES ALUMINUM CLAD RAIL & STILE BALANCED DOORS DETAILS / 5" JAMB / CONCEALED SHAFT

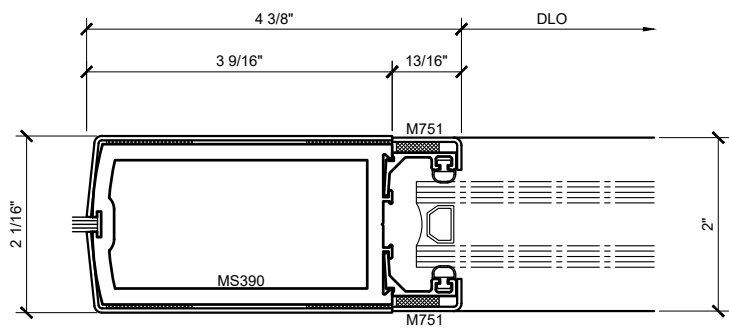
Revisions By:



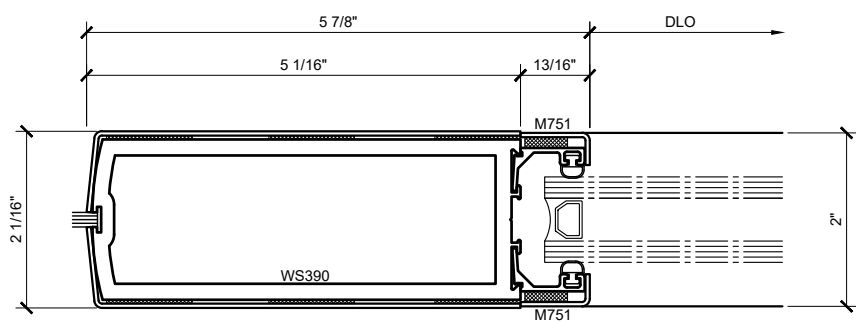
2632 E. Ventura Avenue, Los Angeles, CA 90058-1897
 PH: (800)-421-0144 / (310)-597-7501 www.crlusa.com

Description:
 CRL PREMIUM SERIES
 BALANCED DOOR
 U.S. ALUMINUM CLAD
 RAIL & STILE

Drawn By: TGM
 Date: 11/15/18
 Scale: AS NOTED
 File Name:
 PS BD - U.S. ALUM CLAD RAIL & STILE.dwg
 Sheet

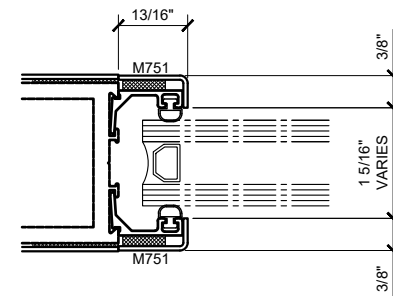


MEDIUM STILE

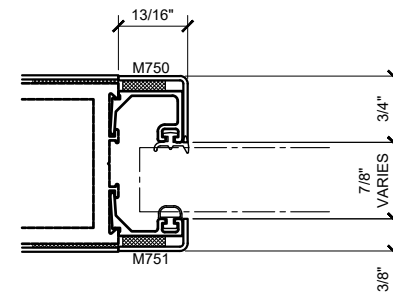


WIDE STILE

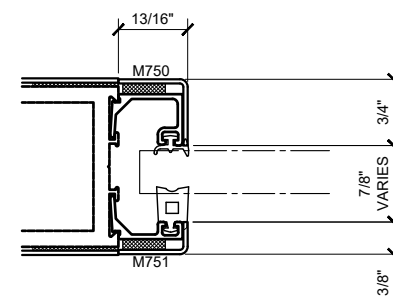
STANDARD STILES (SHOWN WITH GLASS STOPS FOR 1" GLASS)



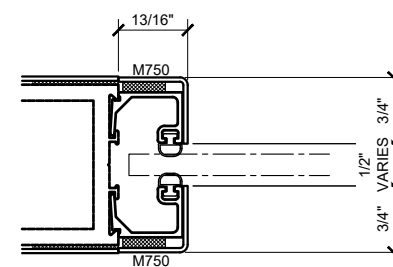
GLASS STOPS FOR 1" GLASS



GLASS STOPS FOR 3/4" GLASS



GLASS STOPS FOR 1/2" GLASS



GLASS STOPS FOR 1/4" GLASS

GLASS STOP OPTIONS

Revisions By:

CRL

2693 E. Ventura Avenue, Los Angeles, CA 90058-1887
PH: (800)-421-9144 FX: 800-597-7501 www.crlusa.com

Description:

CRL PREMIUM SERIES
BALANCED DOOR
U.S. ALUMINUM CLAD
RAIL & STILE

Drawn By: TGM

Date: 11/15/18

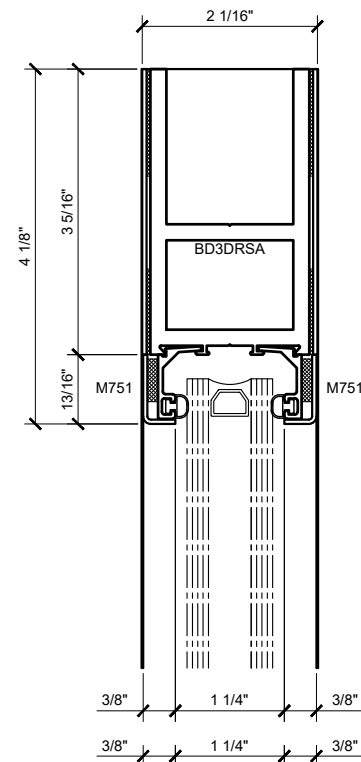
Scale: AS NOTED

File Name: PS BD - U.S. ALUM CLAD RAIL & STILE.dwg

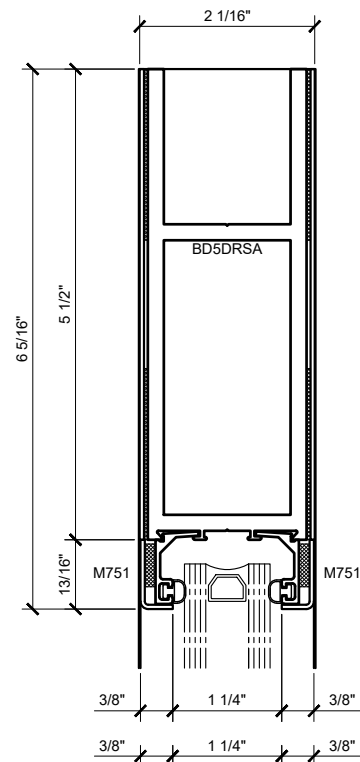
Sheet

1.05

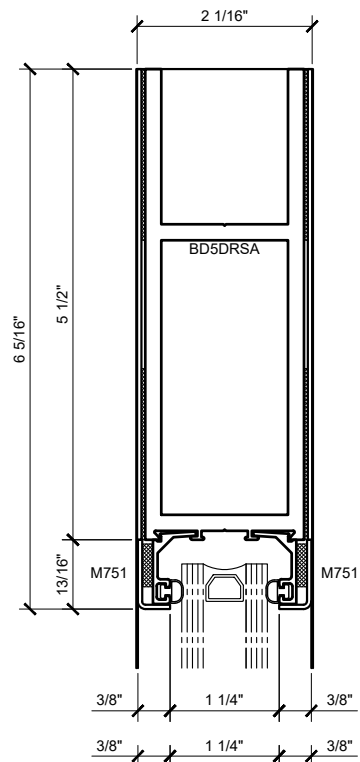
STANDARD CLAD STILES & GLASS STOP OPTIONS FOR 1", 3/4", 1/2", 1/4", THICK GLASS



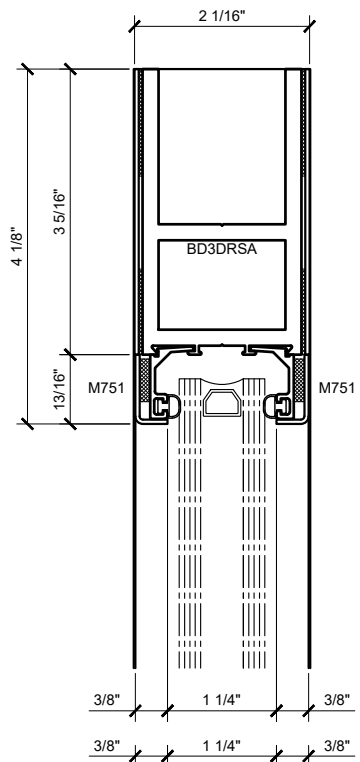
OPTION 1



OPTION 2



OPTION 3



OPTION 4

STANDARD CLAD RAILS (SHOWN WITH GLASS STOPS FOR 1" THICK GLASS)

Revisions By:

CRL

2632 E. Ventura Avenue, Los Angeles, CA 90058-1887
 PH: (800)-421-0144 / 323-800-5977 / 323-800-5977
 www.crlusa.com

Description:

CRL PREMIUM SERIES
 BALANCED DOOR
 U.S. ALUMINUM CLAD
 RAIL & STILE

Drawn By: TGM

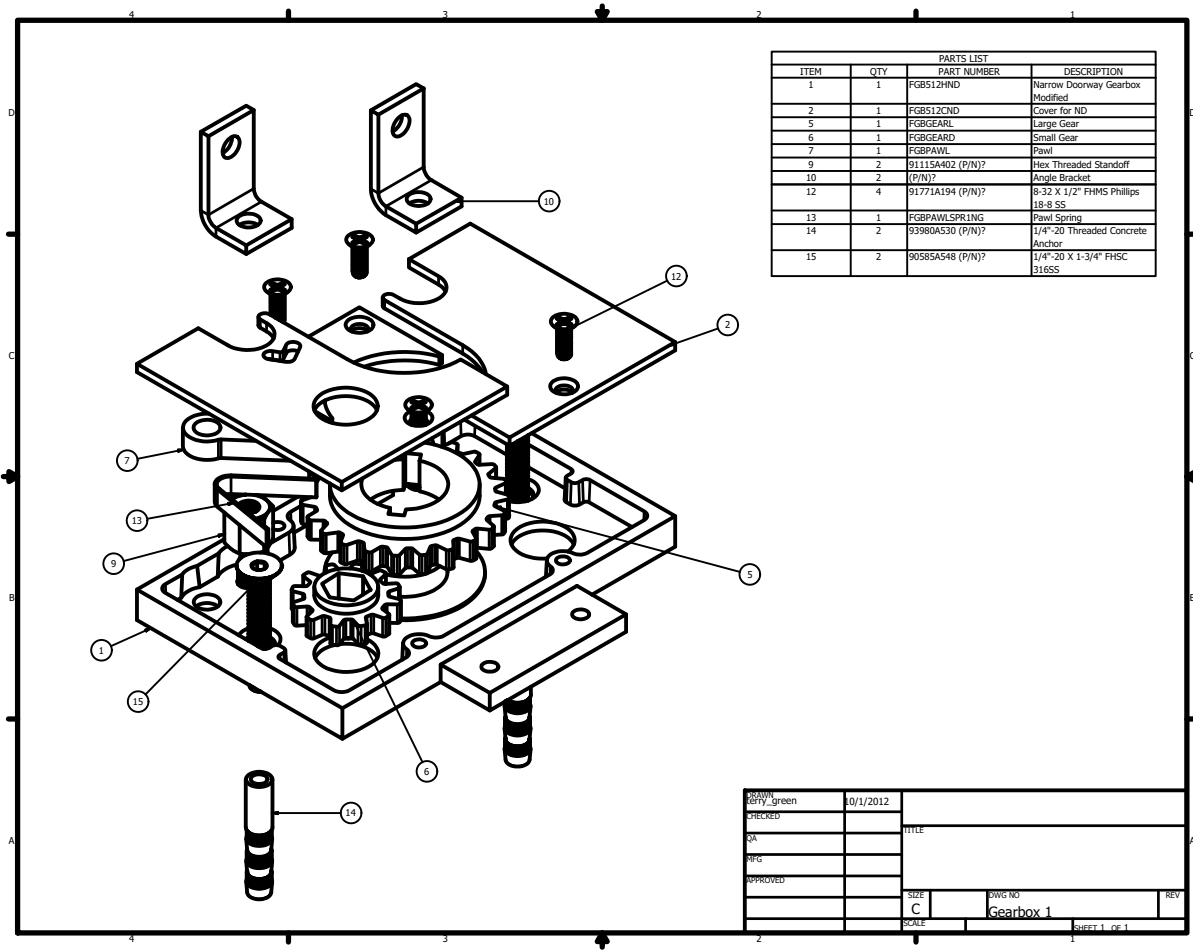
Date: 11/15/18

Scale: AS NOTED

File Name: PS BD - U.S. ALUM CLAD RAIL & STILE.dwg

Sheet

1.06



PARTS LIST			
ITEM	QTY	PART NUMBER	DESCRIPTION
1	1	FGB512HND	Narrow Doorway Gearbox Modified
2	1	FGB512CND	Cover for ND
5	1	FGBGEARL	Large Gear
6	1	FGBGGEARD	Small Gear
7	1	FGBPRAWL	Pawl
9	2	911154402 (P/N)?	Hex Threaded Standoff
10	2	(P/N)?	Angle Bracket
12	4	91771A194 (P/N)?	8-32 X 1/2" PHMS Phillips 18-8 SS
13	1	FGBPRAWLSPRING	Pawl Spring
14	2	93980A530 (P/N)?	1/4"-20 Threaded Concrete Anchor
15	2	90585A548 (P/N)?	1/4"-20 X 1-3/4" FH5C 316SS

DESIGN	GREEN	8/1/2012		
CHECKED				
QA				
BY				
APPROVED				
			DATE	REV
			C	1
			SCALE	SHEET 1 OF 1

Revisions By:



2653 E. Ventura Avenue, Los Angeles, CA 90058-1887
 PH: (800)-421-0144 FX: 800-597-7501 www.crlusa.com

Description:
 CRL PREMIUM SERIES
 BALANCED DOOR
 U.S. ALUMINUM CLAD
 RAIL & STILE

Drawn By: TGM
 Date: 11/15/18
 Scale: AS NOTED
 File Name: PS BD - U.S. ALUM CLAD RAIL & STILE.dwg
 Sheet

2.01