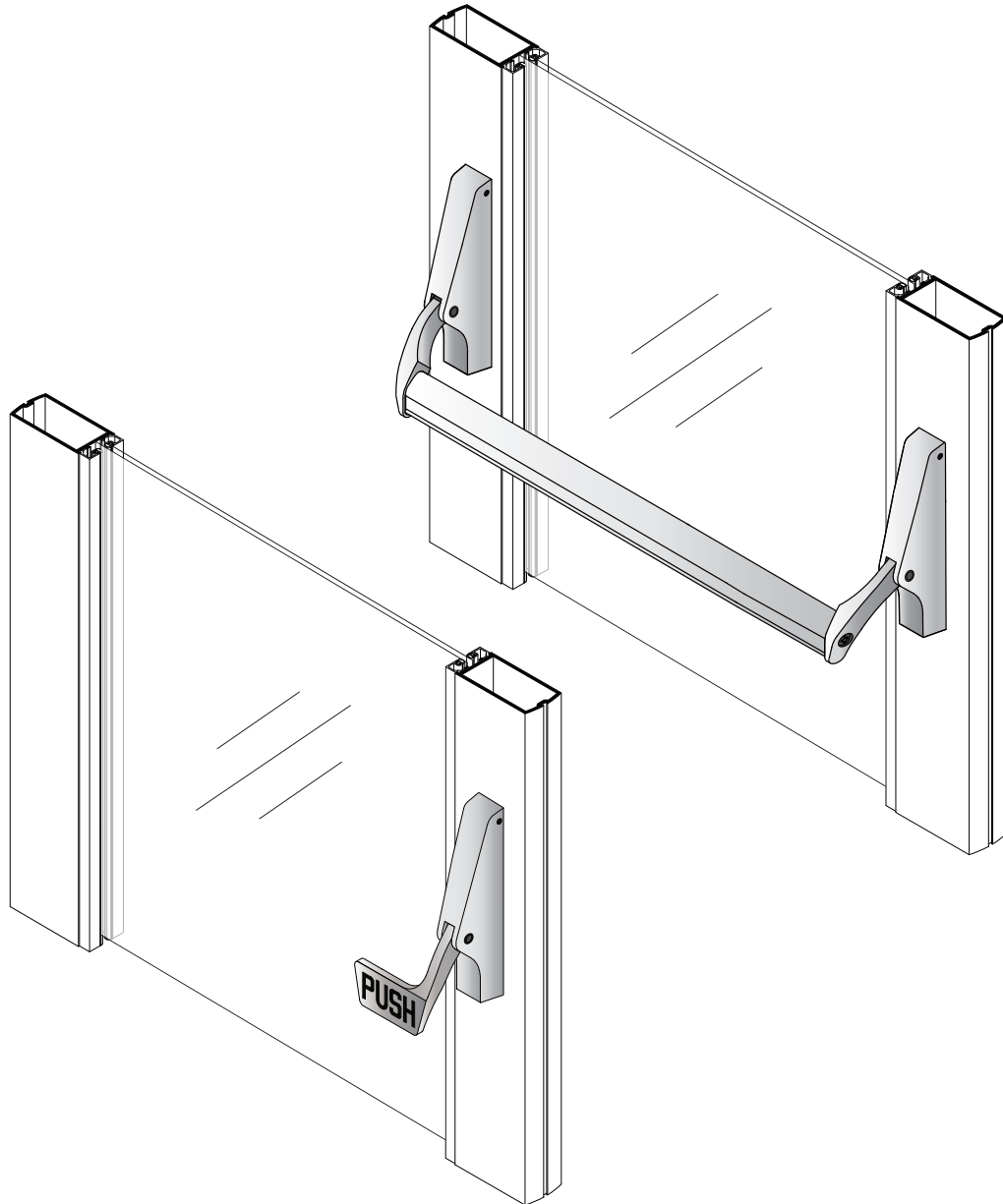


INSTALLATION INSTRUCTIONS

CRL JACKSON 1085-1085P CONCEALED VERTICAL ROD PANIC EXIT DEVICE



Phone: (800) 421-6144 • Fax: (866) 921-0531
crlaurence.com • usalum.com • crl-arch.com

ORDER OF ASSEMBLY AND INSTALLATION

Tools Required 02

Parts Identification 03 - 04

Door Preparation 05 - 08

 Door Removal 05

 1085 Panic Bar with Lock Cylinder and Mounting Pad (Template Selection) 06

 1085 Panic Bar and Lock Cylinder with Exterior Trim (Template Selection) 07

 1085-P Paddle Installation Only (Template Selection) 08

Door Hardware Installation 09 - 16

 Remove Dogging Pawl (Optional) 09

 Insert Rod and Case 10

 Install Optional Mortise Cylinder 11

 Install Body and Arm Assemblies 12

 Cut and Install Panic Bar 13

 Install 1085P Paddle Version 14

 Install Optional Handle Trim 15

 Adjust Rod Length/Replace Door 16

Door Installation 17

Frame Preparation 18

Guide Rod Bolt Final Adjustment 19

Dogging Pin Options 20

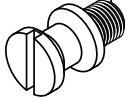
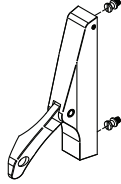
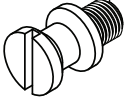
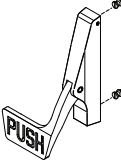
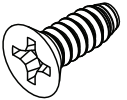
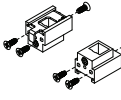
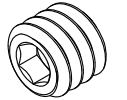
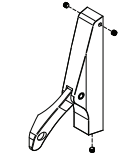
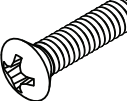
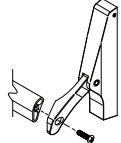
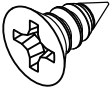
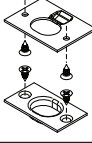

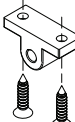
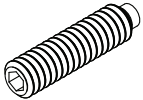
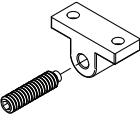

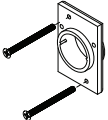
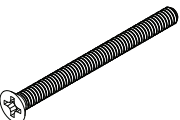
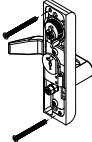
Packaged Parts Available 21 - 22

TOOLS REQUIRED

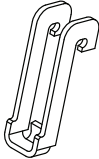
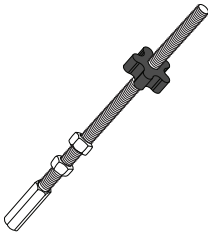
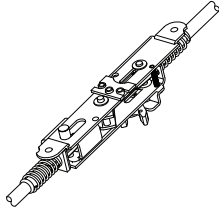

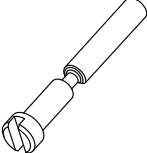
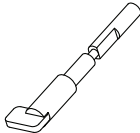
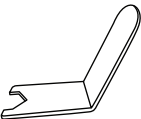
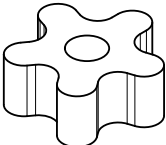
- Drill bits: 5/8", 11/64", 13/64"
- Tap: 1/4"- 20
- Tape measure
- Saw horses
- Cordless drill
- Phillips #2 screwdriver
- Slot tip screwdriver
- Framing square/straight edge
- Masking tape
- Center punch
- Flat File
- Round File
- Jigsaw with metal cutting blade
- Allen wrenches
- Torx T-10 Driver

CRL JACKSON 1085-1085P CONCEALED VERTICAL ROD PANIC EXIT DEVICE

PARTS IDENTIFICATION

| FASTENERS AND PARTS LIST | | | | | |
|--------------------------|------|---|--|--|---|
| CALL OUT | QTY. | FASTENER | FASTENER DESCRIPTION | PART | USED WITH PART NUMBER |
| Ⓐ | 2 |  | 1/4"- 20 x 1/4" Shoulder Stud Bolts |  | 30982 Right Side Body and Arm 30983 Left Side Body and Arm Assembly |
| Ⓐ | 2 |  | 1/4"- 20 x 1/4" Shoulder Stud Bolts |  | 30984 Right Body and Arm 30985 Left Body and Arm Paddle Assembly |
| Ⓑ | 3 |  | #10 x 1/2" FH Self Tapping Screw |  | 30934 Top Bolt Guide 30320 Bottom Bolt Guide Assembly |
| Ⓒ | 3 |  | 1/4"- 20 x 1/4" Set Screw for Active Pad |  | 30982 Right Side Body and Arm 30983 Left Side Body and Arm Assembly |
| Ⓓ | 1 |  | 1/4"- 20 x 1" Oval Head Screw |  | 30982 Right Body and Arm 30983 Left Body and Arm 30733 Package Panic Bar Assembly |
| Ⓔ | 4 |  | #8 x 3/8" FH Screw |  | 301084 Top and Bottom Strike Package |
| Ⓕ | 2 |  | #8 x 3/4" FH Screw |  | 30824 Trip Bracket Package |
| Ⓖ | 1 |  | 1/4"- 20 x 1" Set Screw |  | 30824 Trip Bracket Package |
| Ⓗ | 2 |  | #8 x 2" FH Machine Screw |  | 30821J No. 86 Mortise Cylinder Mounting Pad |
| Ⓘ | 2 |  | #10 x 2-1/8" FH Machine Screw |  | 8500LV01 and 8500LV02 Exterior Trim with Lever Assembly |

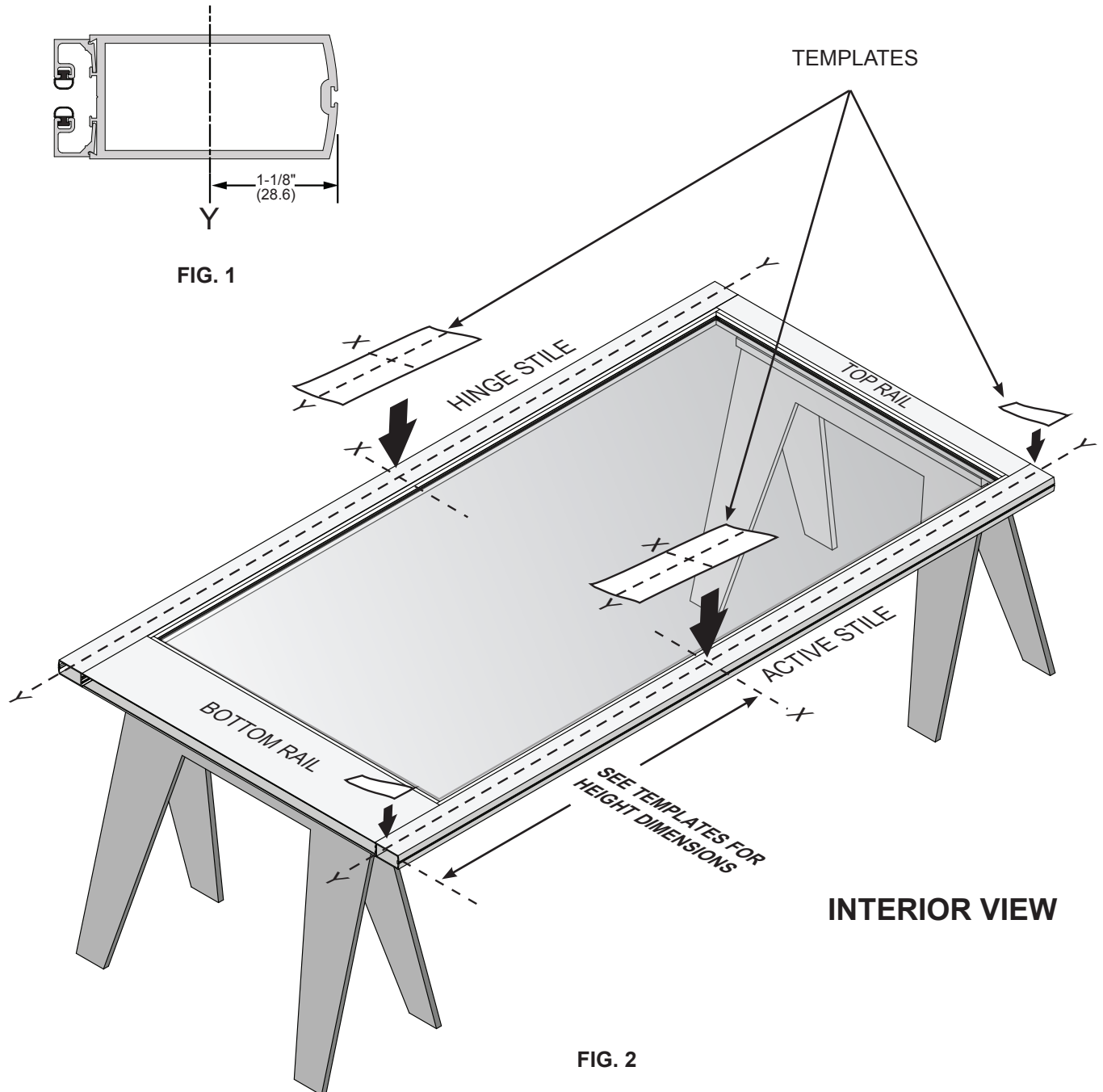
PARTS IDENTIFICATION

| PARTS LIST | | | | |
|------------|------|---|------------------|--|
| CALL OUT | QTY. | PART | PART NO. | DESCRIPTION |
| ⓐ | 1 |  | 301409 | Actuator Link included in 1085 and 1085P Body Hardware Package Cat. No. 301409 |
| ⓑ | 1 |  | 301347 301348 | Optional 12" and 24" Top Rod Extender |
| ⓒ | 1 |  | 30915J | Rod Case Assembly |
| ⓓ | 1 |  | DL2170 | Optional 1" Mortise Key Cylinder |
| ⓔ | 1 |  | 301115 | Slotted Dogging Pin Assembly |
| ⓕ | 1 |  | 301117 | Optional Thumbturn Dogging Pin Assembly |
| ⓖ | 1 |  | 30934/30320 | Hex tool included in 30934 Top Bolt Guide and 30320 Bottom Bolt Guide |
| ⓓ | 1 |  | 301552 | Rod Silencer |

DOOR PREPARATION

REMOVE DOOR

1. Place door horizontally on stands with the interior side up.
2. Mark stile Y-lines, 1-1/8" (28.6) from outside edge for all stile widths (Fig. 1).
3. Mark stile X-lines per template instructions (Fig. 2).
4. Attach corresponding templates (Fig. 2).

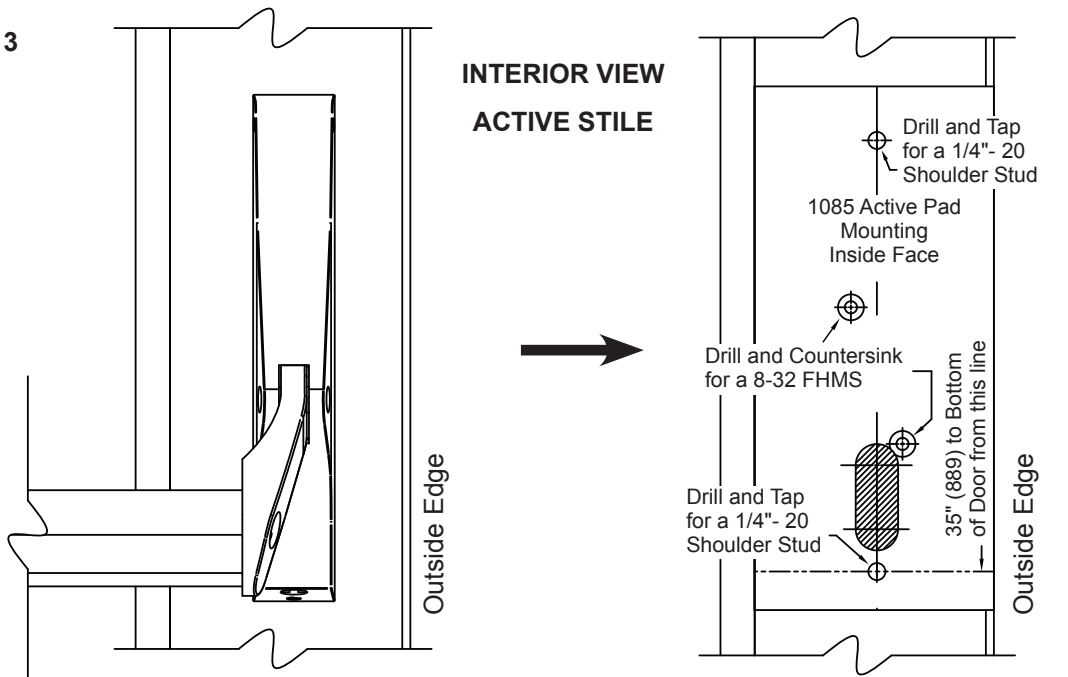


NOT TO SCALE

DOOR PREPARATION – TEMPLATE SELECTION

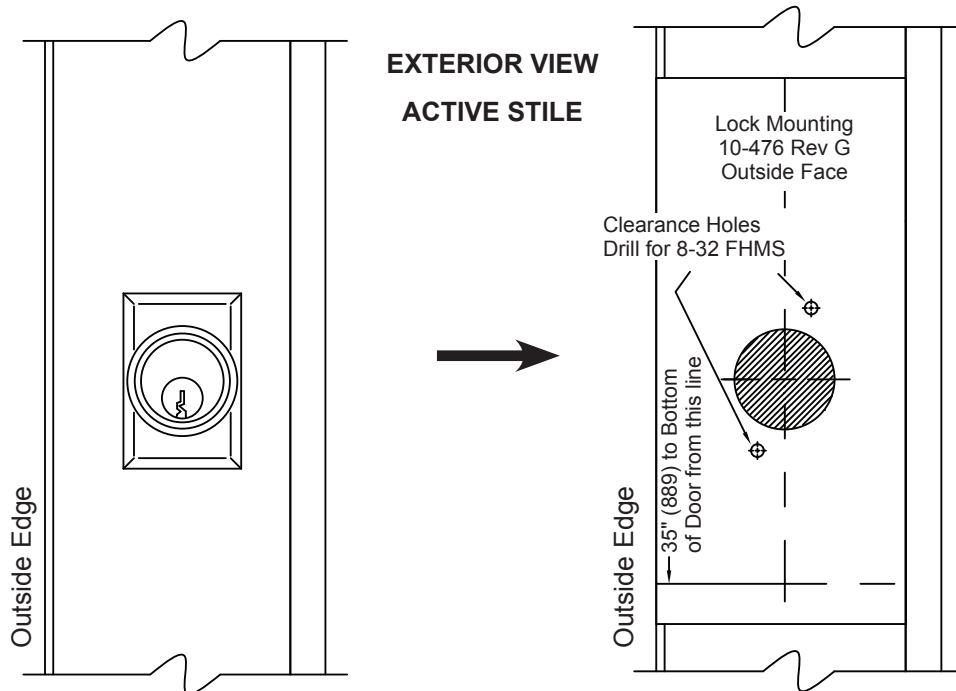
1085 PANIC BAR WITH LOCK CYLINDER AND MOUNTING PAD

FIG. 3



10-474 - REV. F Templates from Box

FIG. 4

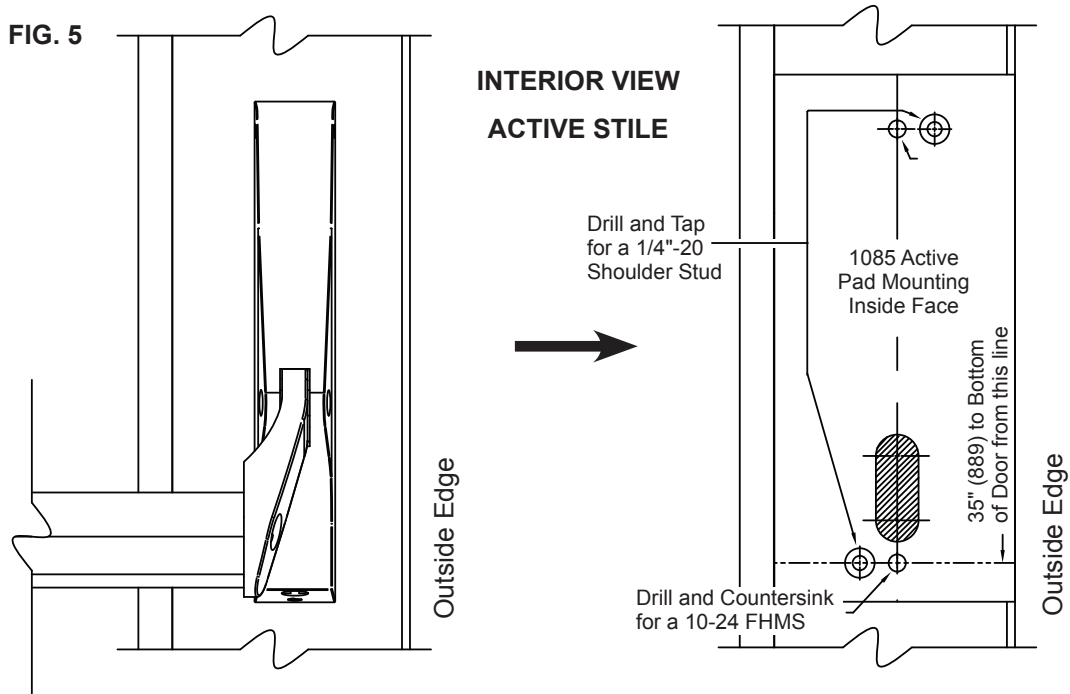


10-476 - REV. G Templates from Box

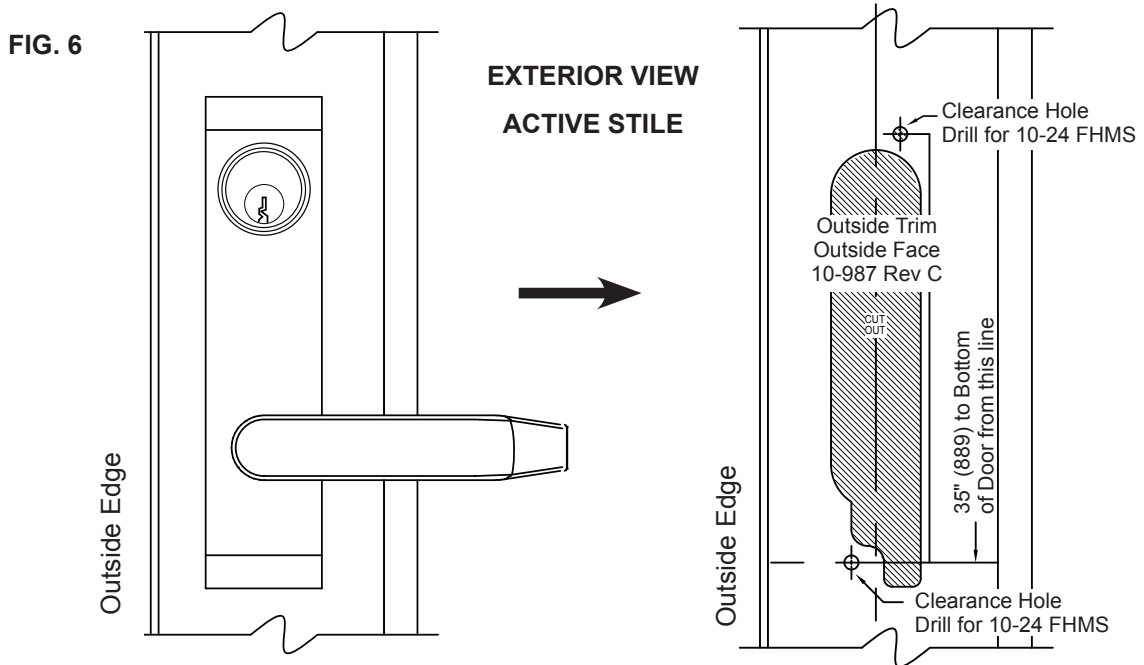
NOT TO SCALE

DOOR PREPARATION – TEMPLATE SELECTION

1085 PANIC BAR AND LOCK CYLINDER WITH EXTERIOR TRIM



10-474 - REV. F Templates from Box



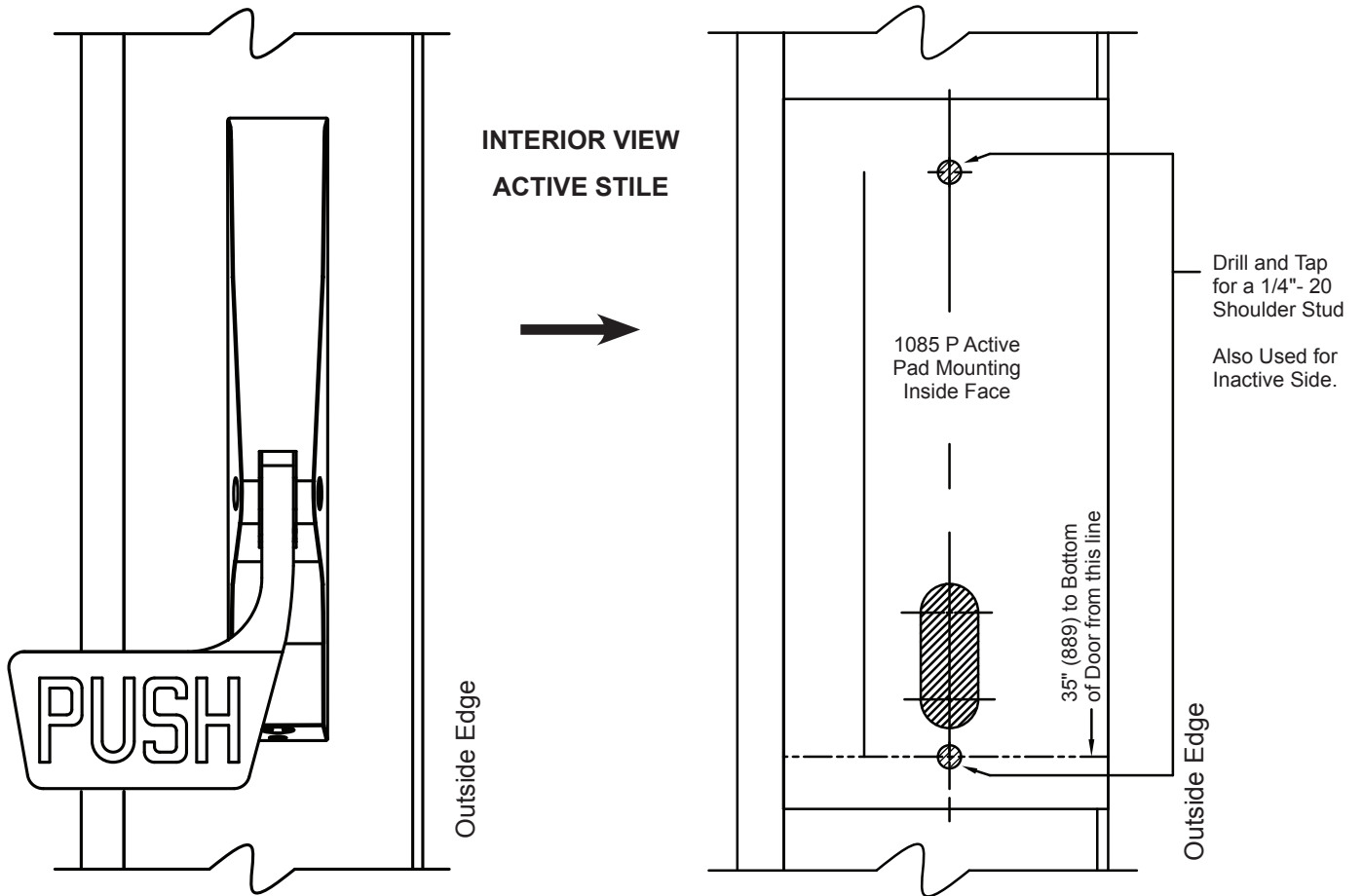
10-987 - REV. C Templates from Box

NOT TO SCALE

DOOR PREPARATION – TEMPLATE SELECTION

1085P PADDLE INSTALLATION ONLY

FIG. 7



10-474 - REV. F Templates from Box

NOT TO SCALE

DOOR HARDWARE INSTALLATION – OPTIONAL DOGGING STEP REMOVE DOGGING PAWL ONLY IF USING OUTSIDE CYLINDER LOCK

INSTALLATION:

1. Remove the two screws and Dogging Hold Down Bracket (included in Cat. No. 30916).
2. Remove Dogging Pawl (included in Cat. No. 30916).
3. Re-attach the Dogging Hold Down Bracket and screws.
NOTE: Left screw is longer than right screw.
4. Refer to page 11 for Mortise Cylinder installation.

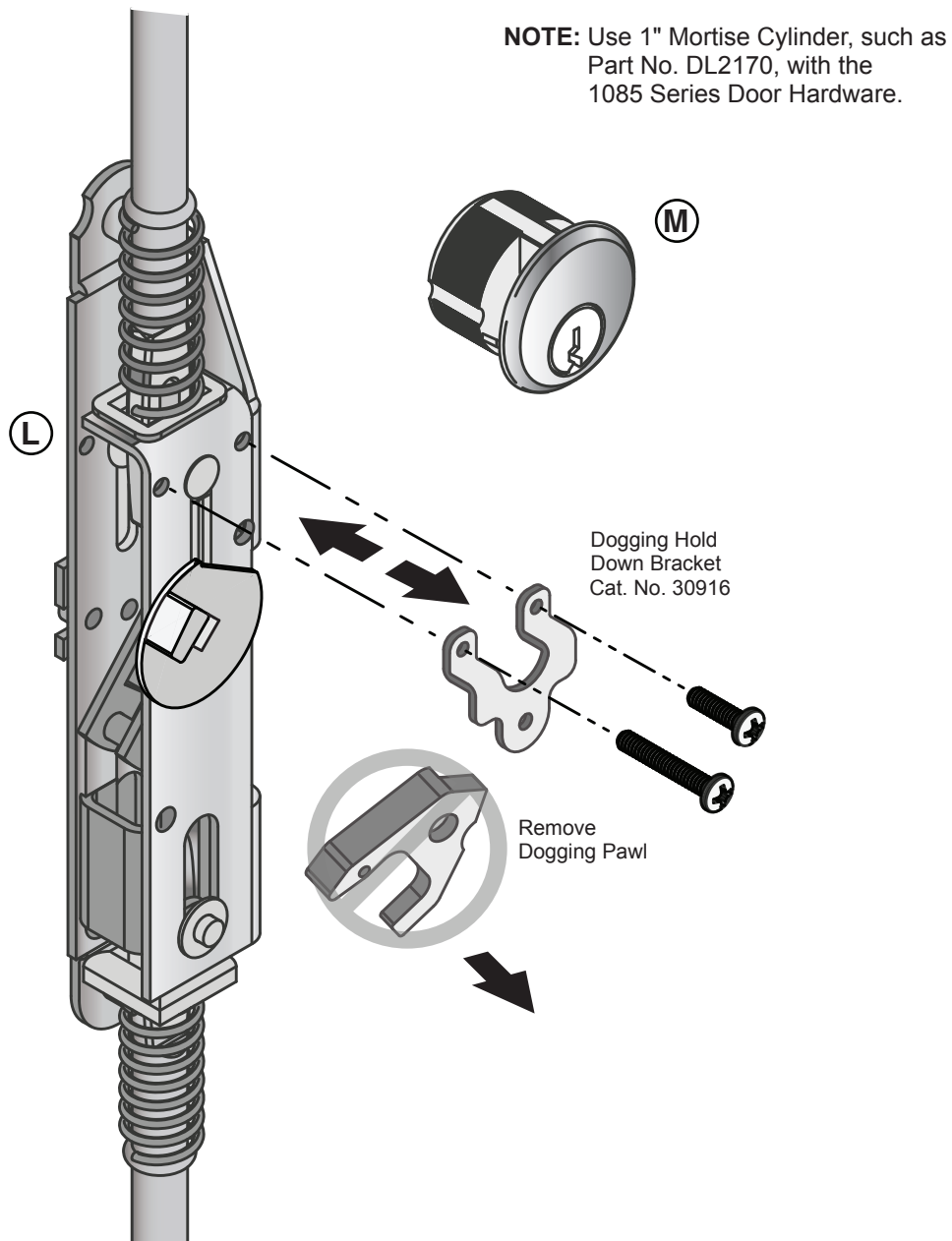


FIG. 8

NOT TO SCALE

DOOR HARDWARE INSTALLATION (CONTINUED)

INSERT ROD AND CASE (ALL MODELS)

1. Insert the panic device rod and case assembly into active stile (Fig. 9).
2. Align actuator pin through the slotted cut-out on interior face of stile, fastening with (2) **(A)** 1/4"- 20 x 1/4" shoulder stud bolts (Fig. 10).
3. Adjust top and bottom rod guide bolts, to extend 1/2" past the frame on both top and bottom stiles.
4. Install the top bolt guide assembly (3) **(B)** #10 x 1/2" FH self tapping screws at both the top and bottom of active door stile. (2) holes on the interior face of stile and (1) hole on the exterior face of stile.
5. Install the bottom bolt guide assembly (3) **(B)** #10 x 1/2" FH self tapping screws at both the top and bottom of active door stile. (2) holes on the interior face of stile and (1) hole on the exterior face of stile.

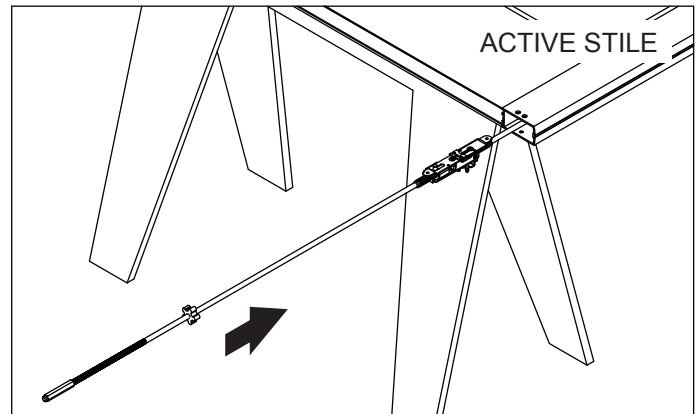


FIG. 9

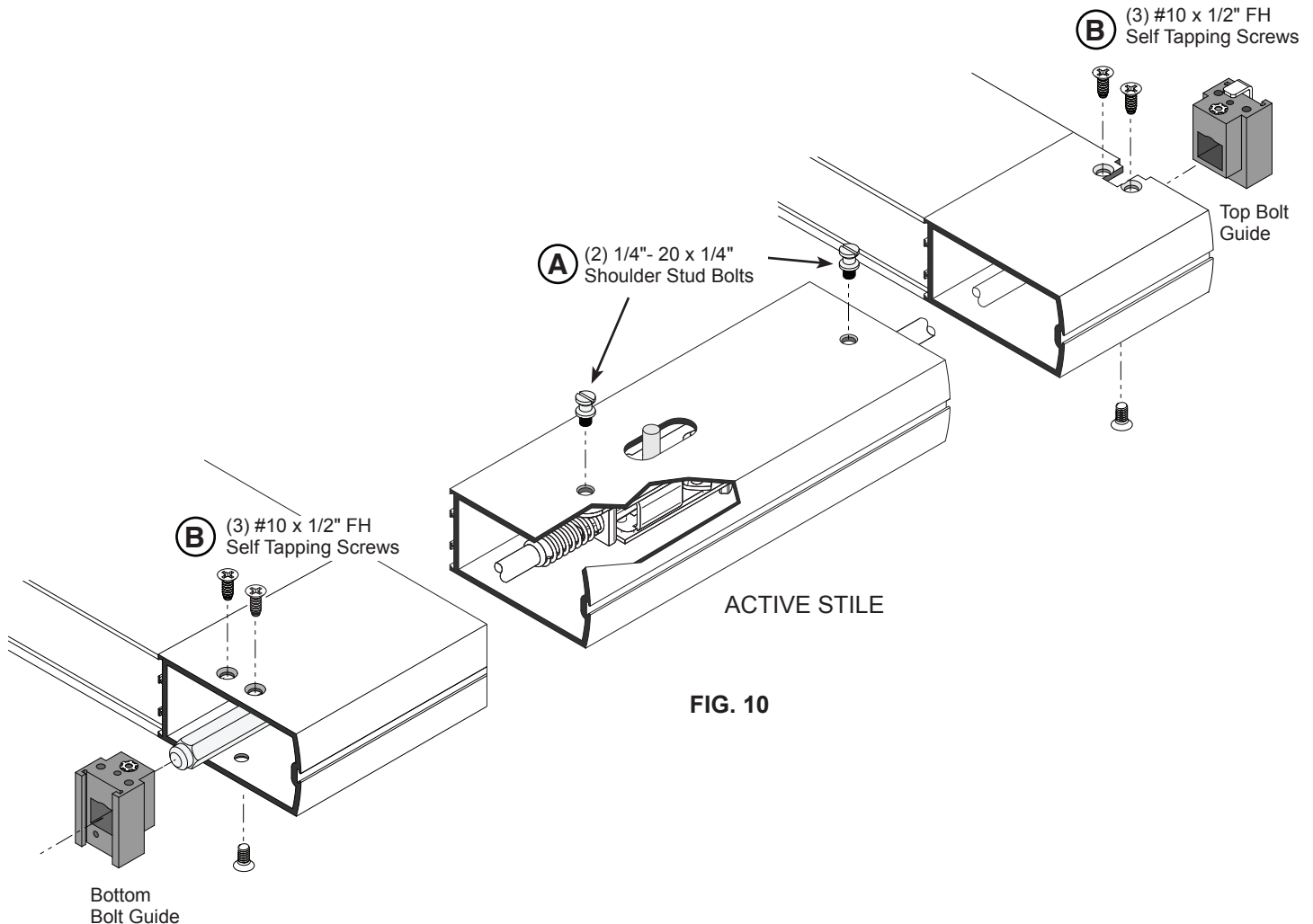


FIG. 10

NOT TO SCALE

DOOR HARDWARE INSTALLATION (CONTINUED)

INSTALL OPTIONAL MORTISE CYLINDER

1. Insert (M) Mortise DL2170 into Mortise Cylinder Mounting Pad 30821J and secure with Cylinder Lock Ring (Included) (Fig. 11).
2. Attach to exterior Active Stile with (2) (H) #8 x 2" FHMS.

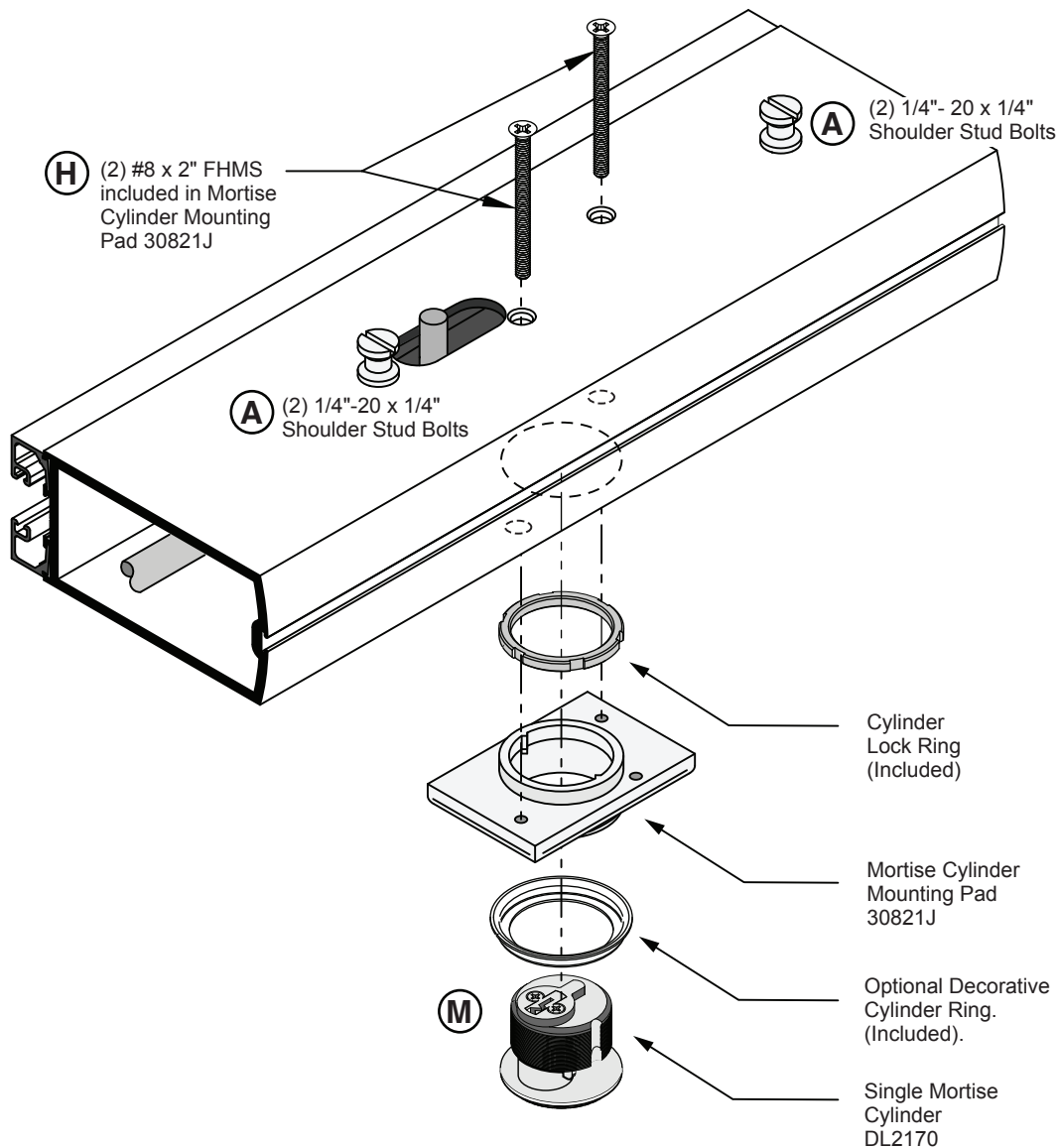


FIG. 11

NOT TO SCALE

DOOR HARDWARE INSTALLATION (CONTINUED)

INSTALL BODY AND ARM ASSEMBLIES

1. Insert the (2) **(A)** 1/4"- 20 x 1/4" Shoulder Bolts on both Active and Inactive Stiles (Fig. 12).
2. Attach Active Body and Arm Assembly using (3) **(C)** 1/4"- 20 x 1/4" Set Screws (Fig. 13).
3. Attach Actuator Link, hook slotted end of **(J)** Actuator Link over Spring Pin (Fig. 14).
4. Attach Inactive Body and Arm Assembly using (3) **(C)** 1/4"- 20 x 1/4" Set Screws (Fig. 15).

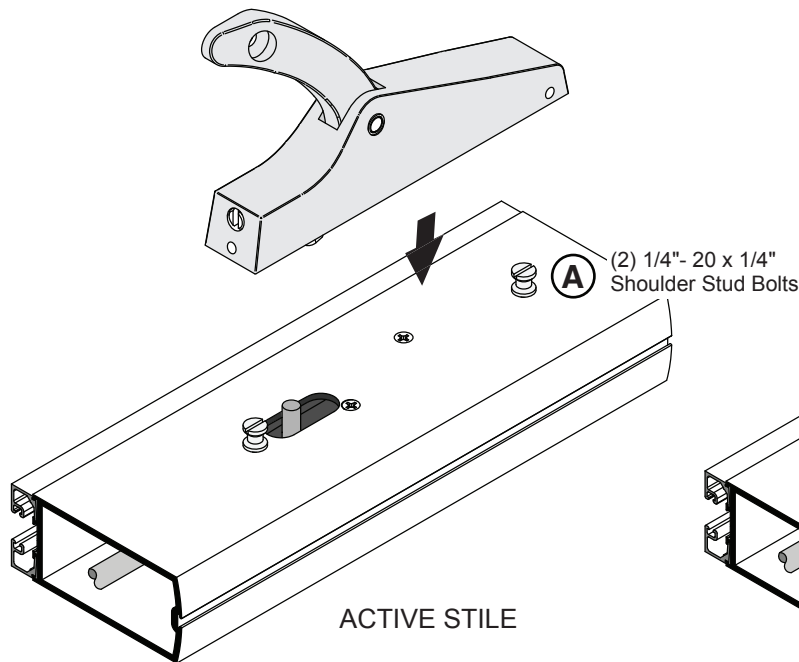


FIG. 12

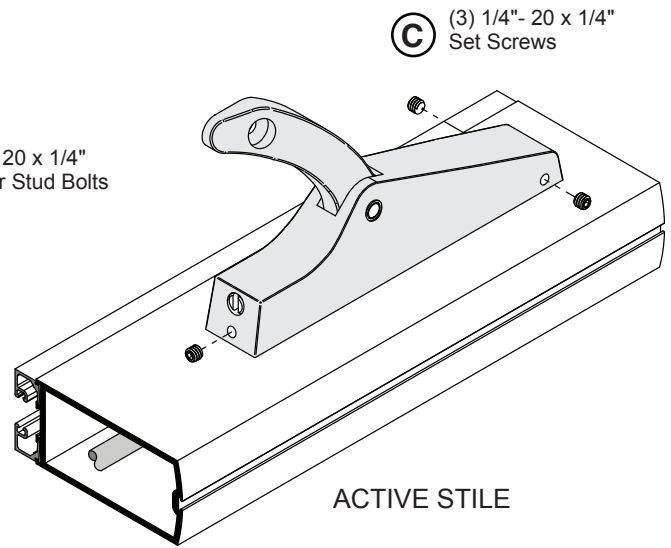


FIG. 13

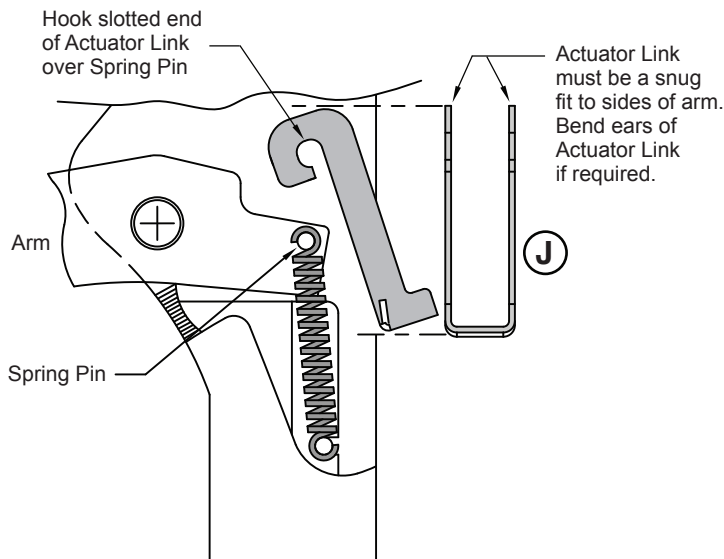


FIG. 14

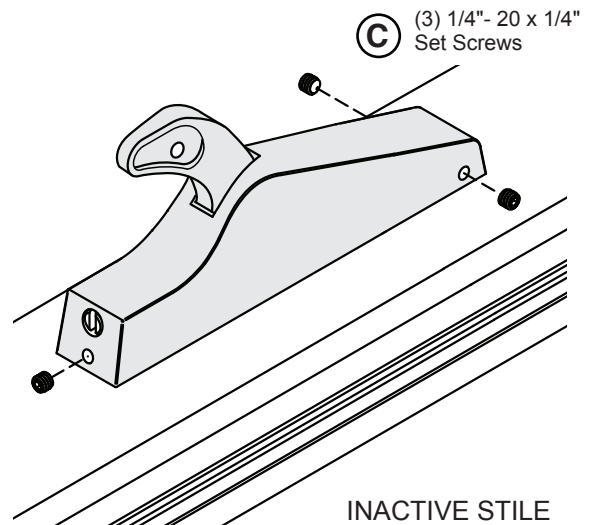


FIG. 15

NOT TO SCALE

DOOR HARDWARE INSTALLATION (CONTINUED)

CUT AND INSTALL PANIC BAR

CRITICAL NOTE:

Panic Bar must be cut within 1/16" (1.6 mm) of correct size to fit and work properly.

1. Measure the Panic Bar from the inside edge of the left side body arm assembly to the inside edge of the right side body arm assembly as shown in (Fig. 16).
2. Cut and debur the Panic Bar to dimension "A" (Fig. 16).
3. Loosen the inactive body and arm assembly, insert panic bar into the arm cavities then secure arm assemblies.

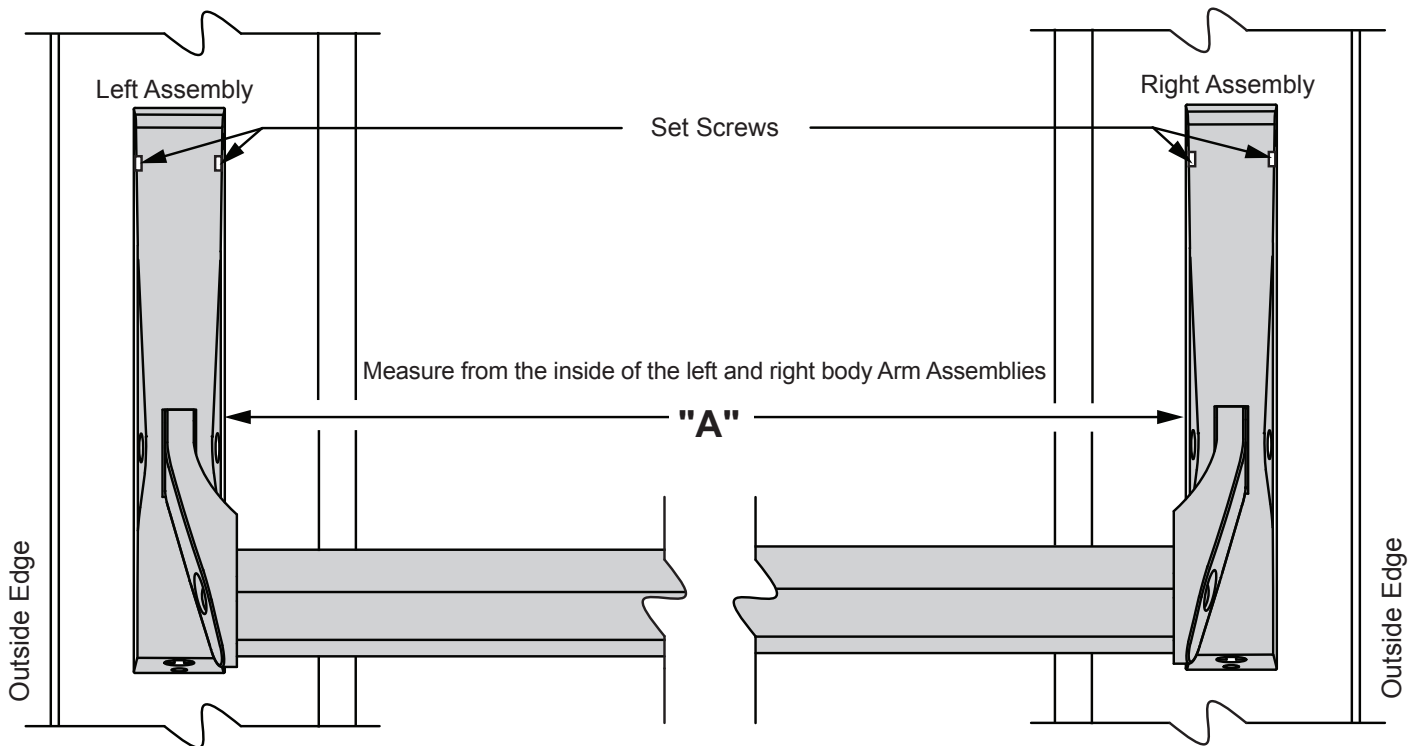


FIG. 16

NOT TO SCALE

DOOR HARDWARE INSTALLATION (CONTINUED)

INSTALL 1085P PADDLE VERSION (HANDED)

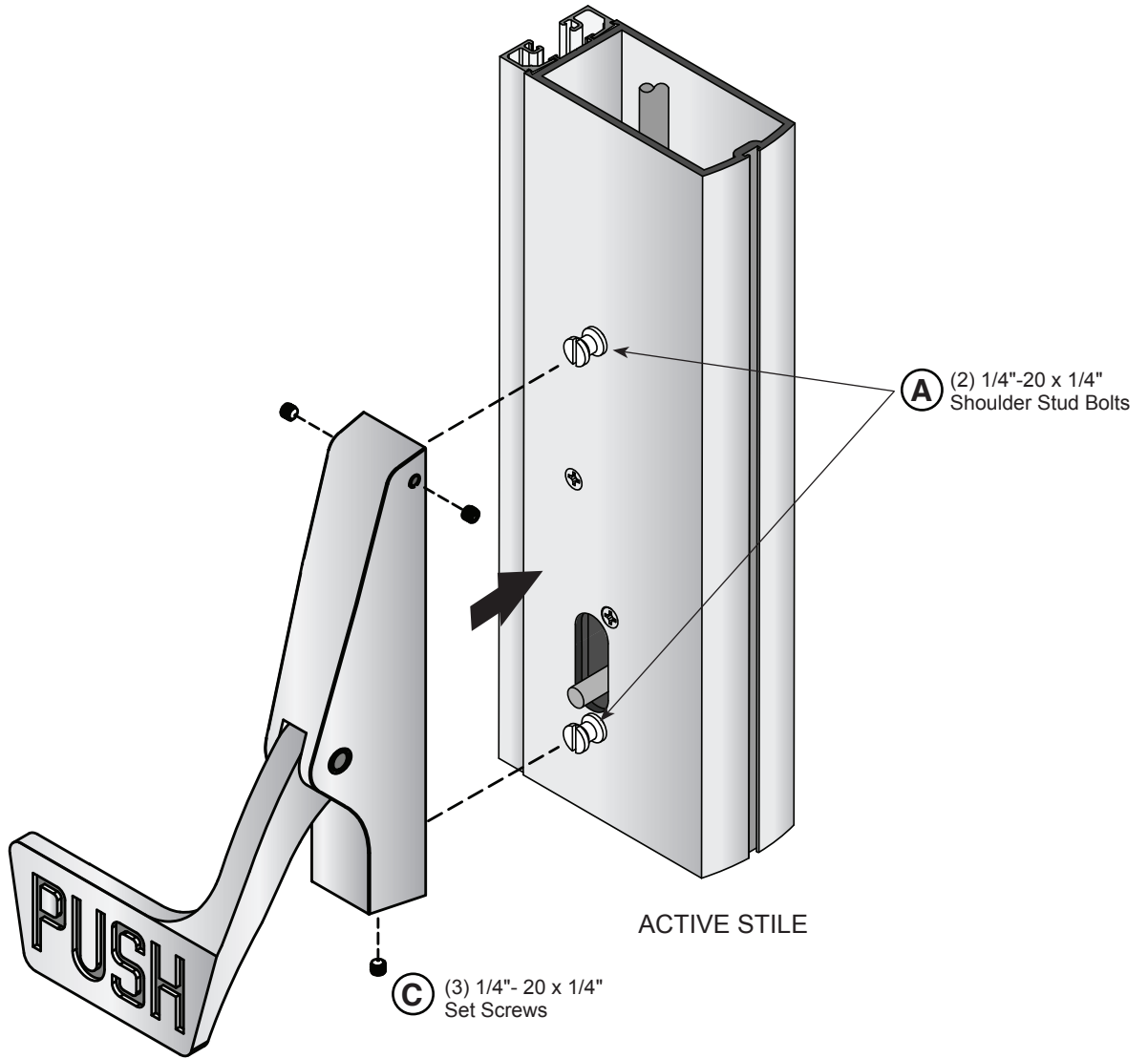


FIG. 17

DOOR HARDWARE INSTALLATION (CONTINUED)

INSTALL OPTIONAL HANDLE TRIM

NOTE: Handle Trim must be installed before Panic Exit Device or Paddle.

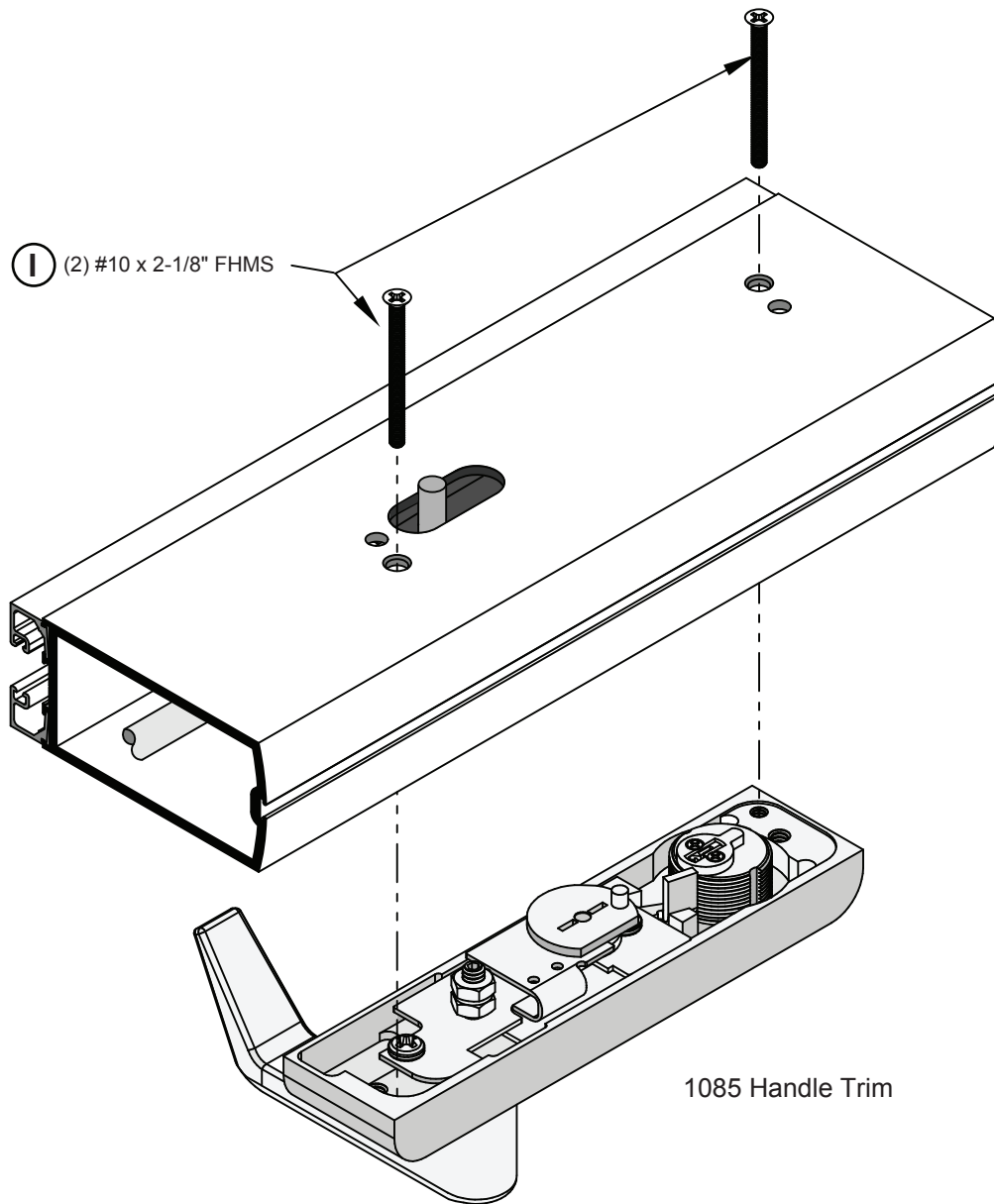


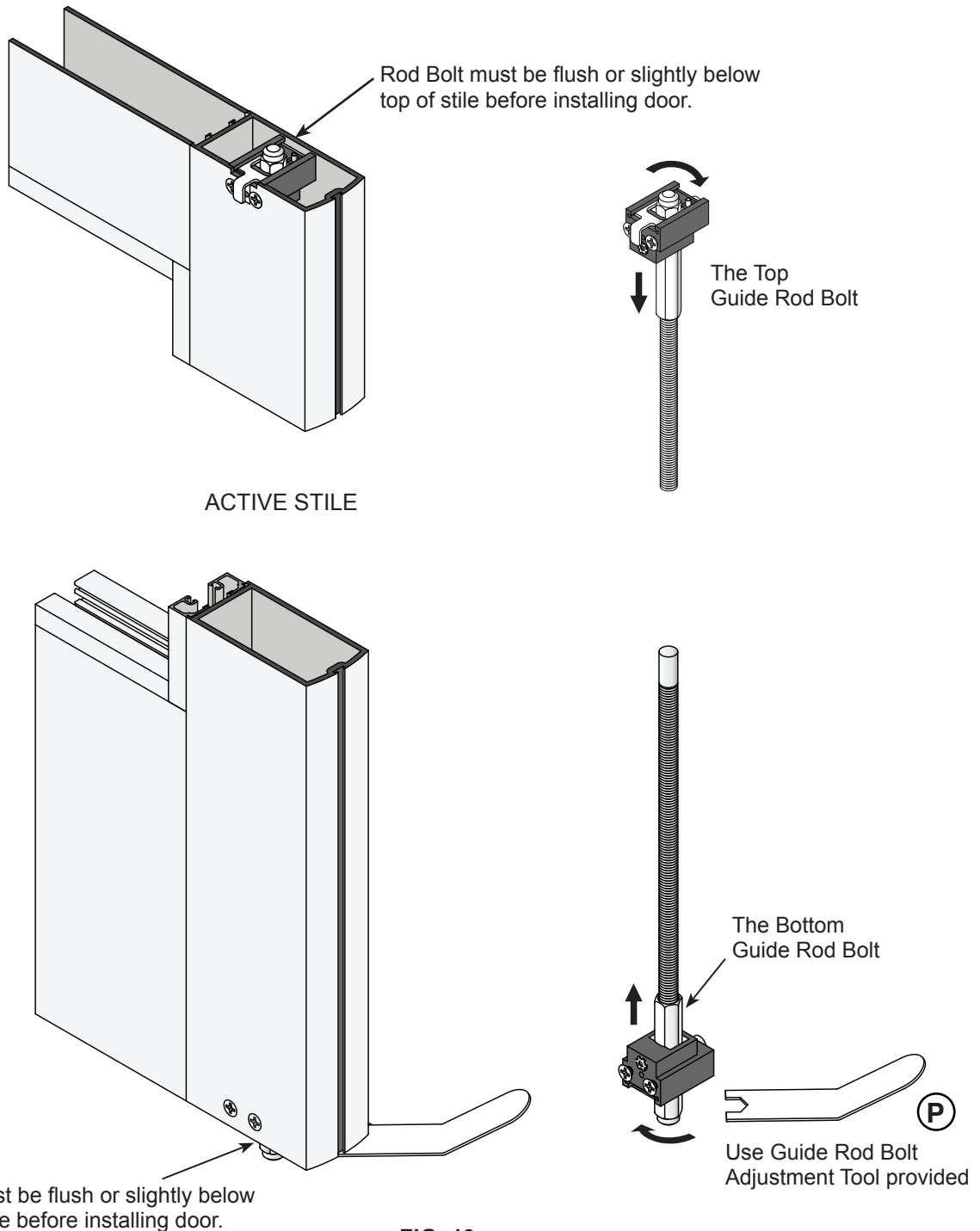
FIG. 18

NOT TO SCALE

DOOR HARDWARE INSTALLATION (CONTINUED)

RETRACT TOP AND BOTTOM ROD BOLTS

Retract the Top Guide Rod Bolt by turning clockwise. Repeat the procedure for the Bottom Guide Rod Bolt. Both should be flush or slightly below the stile end.



ACTIVE STILE

FIG. 19

NOT TO SCALE

DOOR INSTALLATION

1. After Rod Bolts are adjusted (retracted), depress the handle and dog in the closed position.
2. Install the door and attach to closer (if required).



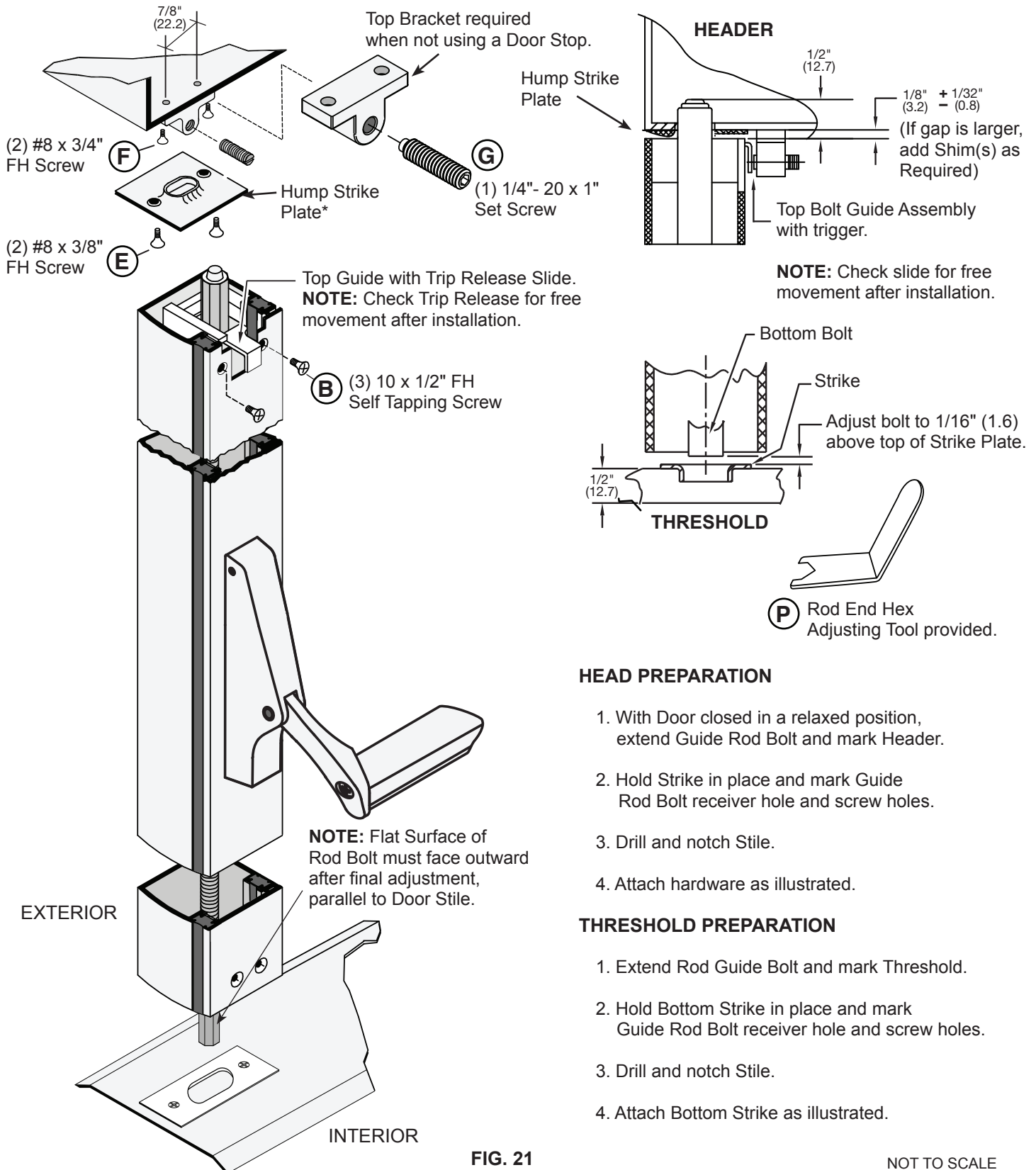
FIG. 20

NOT TO SCALE

FRAME PREPARATION

HEADER AND THRESHOLD PREPARATION

***WARNING:** Hump Strike Plate must be used for proper operation.



HEAD PREPARATION

1. With Door closed in a relaxed position, extend Guide Rod Bolt and mark Header.
2. Hold Strike in place and mark Guide Rod Bolt receiver hole and screw holes.
3. Drill and notch Stile.
4. Attach hardware as illustrated.

THRESHOLD PREPARATION

1. Extend Rod Guide Bolt and mark Threshold.
2. Hold Bottom Strike in place and mark Guide Rod Bolt receiver hole and screw holes.
3. Drill and notch Stile.
4. Attach Bottom Strike as illustrated.

FIG. 21

NOT TO SCALE

GUIDE ROD BOLT FINAL ADJUSTMENT

1. With the panic device fully depressed, turn Bottom Guide Rod Bolt clockwise to extend downward past bottom edge of the door. With Rod Adjustment tool, set rod height at 1/16" (1.6) above bottom Strike Plate. In a fully closed and relaxed panic condition, Rod Guide should extend 3/8" (9.5) into threshold strike.
2. With panic bar fully depressed, adjust the Top Guide Rod Bolt 1/16" (1.6) and not to exceed 1/8" (3.2) gap from header. In a fully closed and relaxed panic condition the Top of upper Rod Bolt will extend into header 3/8" (9.5).

NOTE: Turn Top and Bottom Guide Rod Bolts using the included wrench so that a flat surface aligns with door face.

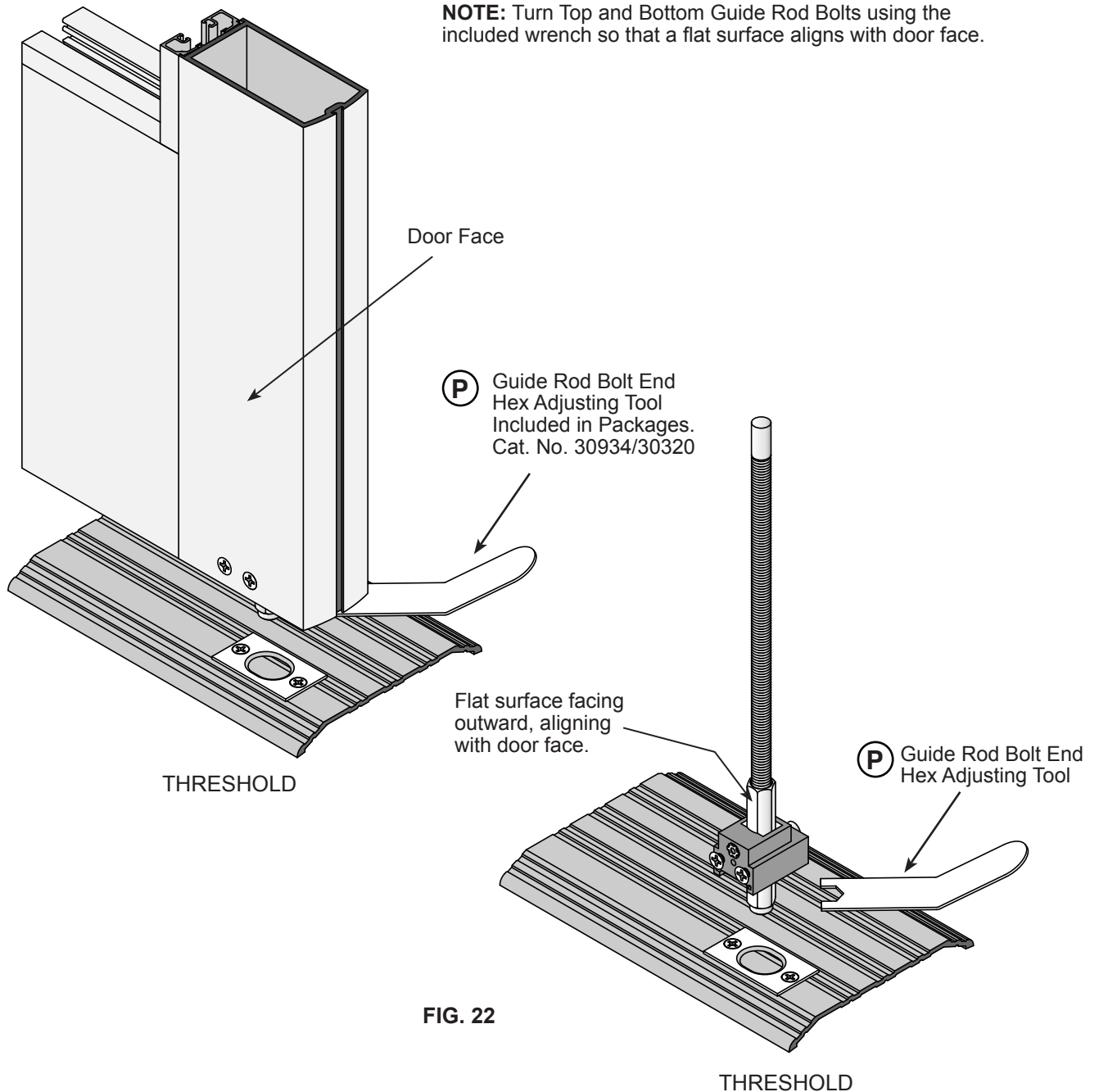


FIG. 22

NOT TO SCALE

DOGGING PIN OPTIONS

REMOVING STANDARD DOGGING PIN, REPLACE WITH THUMBTURN DOGGING PIN

1. Depress Handle and remove the #10 Torx Set Screw. (Fig. 23).
2. Remove Standard Dogging Pin as shown (Fig. 24).
3. Depress Handle, insert new Thumbturn Dogging Pin and Spring. Lock down with #10 Torx Set Screw, then release Handle. (Fig. 25).

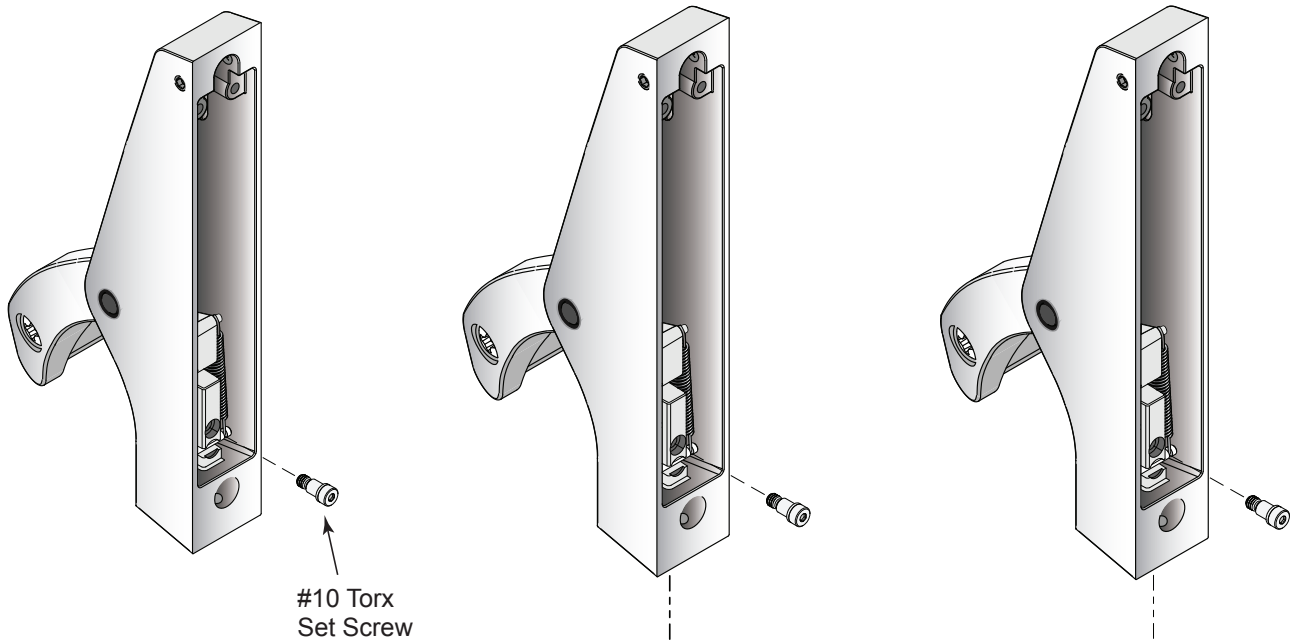


FIG. 23

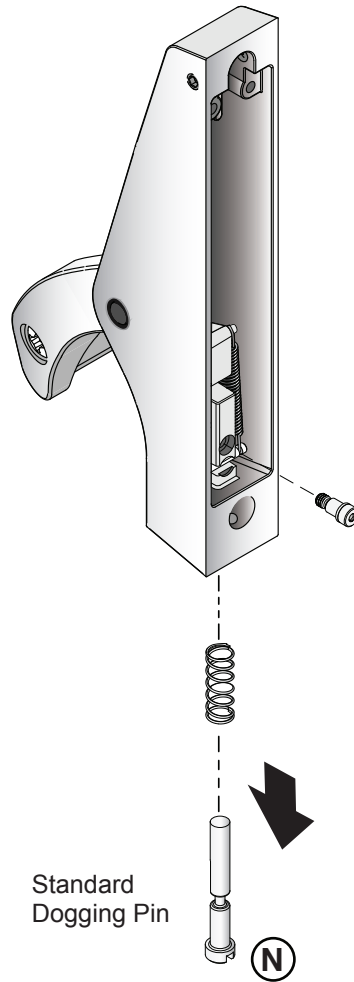


FIG. 24

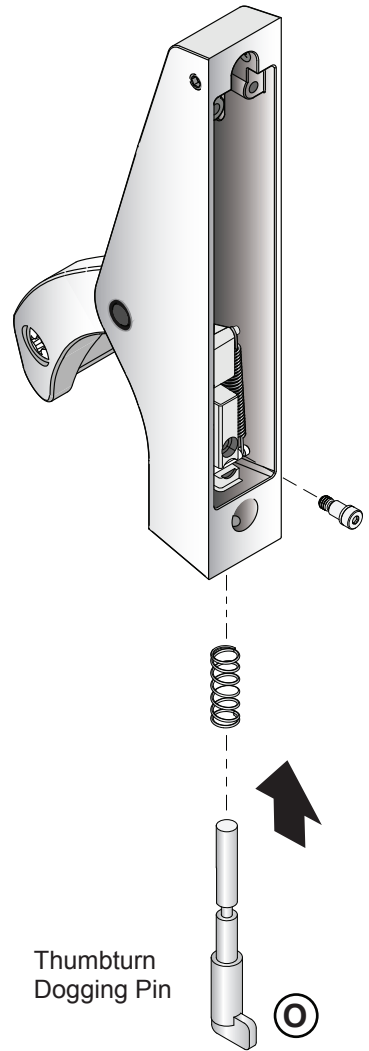
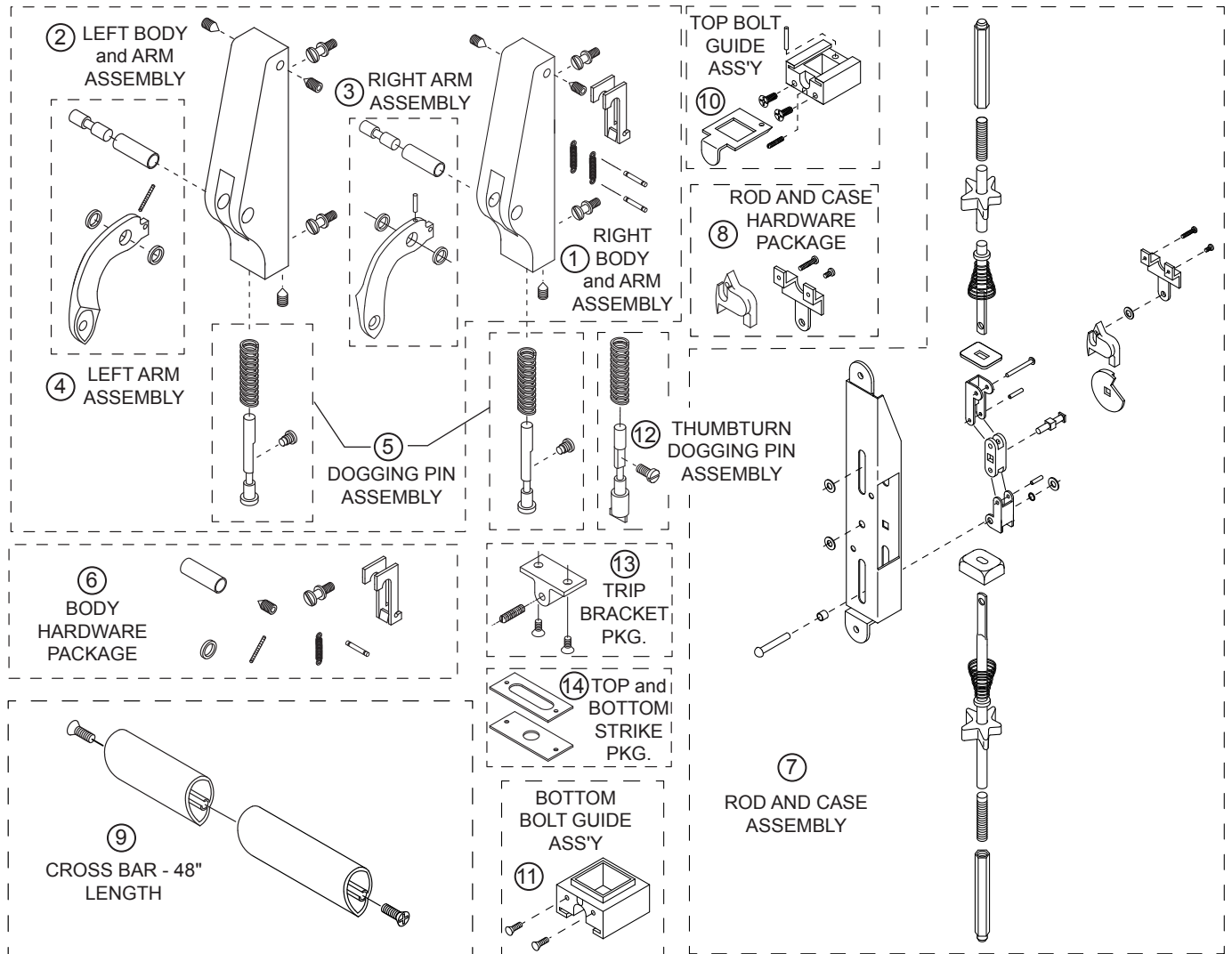


FIG. 25

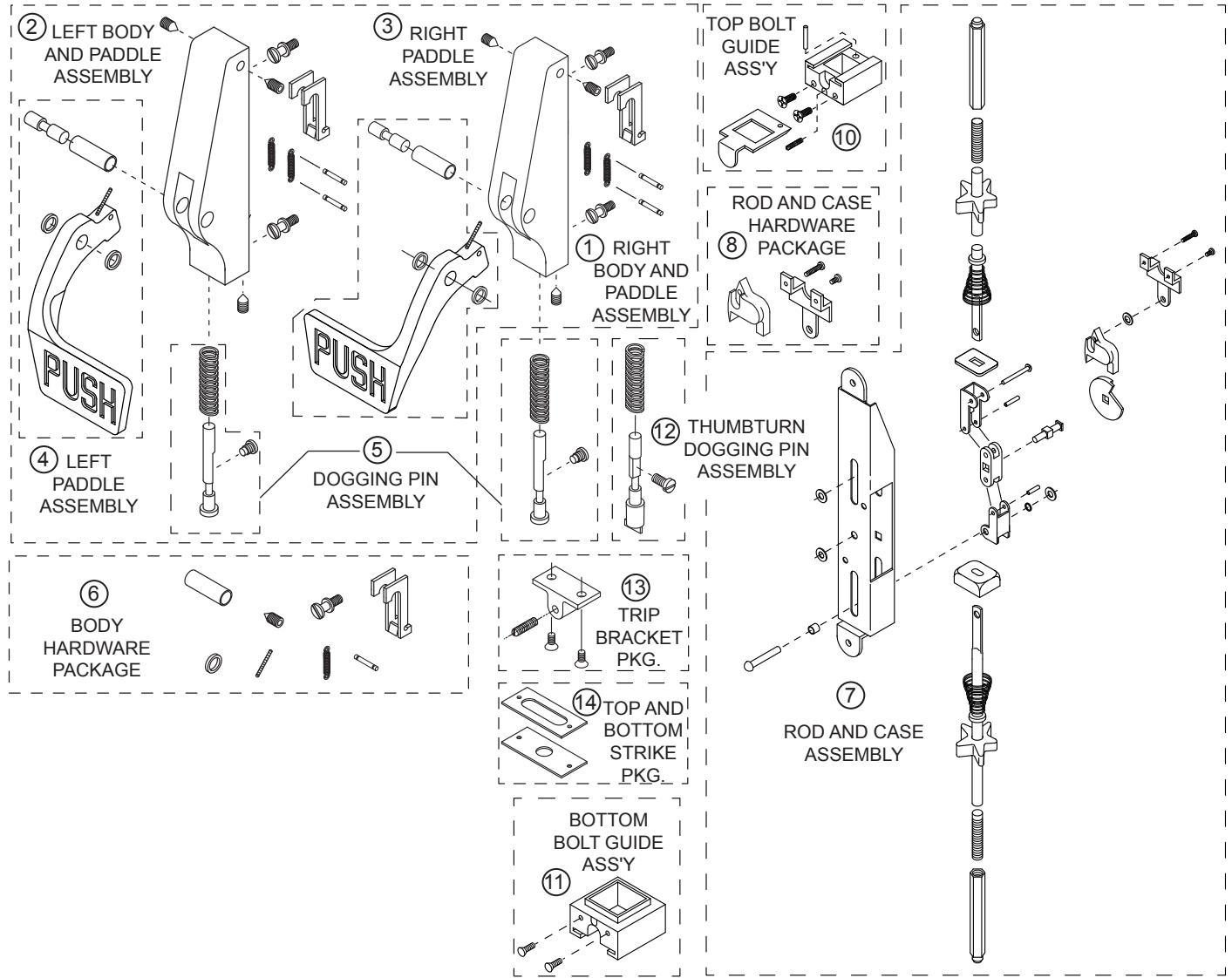
NOT TO SCALE

PACKAGED PARTS AVAILABLE



| Assembly No. | Part No. | Description |
|--------------|----------|------------------------------------|
| 1 | 30982 | RIGHT SIDE BODY AND ARM ASSEMBLY |
| 2 | 30983 | LEFT SIDE BODY AND ARM ASSEMBLY |
| 3 | 301243 | RIGHT SIDE ARM ASSEMBLY |
| 4 | 301242 | LEFT SIDE ARM ASSEMBLY |
| 5 | 301115 | STANDARD DOGGING PIN ASSEMBLY |
| 6 | 301409 | BODY HARDWARE PACKAGE |
| 7 | 30915J | ROD AND CASE ASSEMBLY - 7/0 |
| 8 | 30916 | ROD AND CASE HARDWARE PACKAGE |
| 9 | 30733PKG | 48" (1219 mm) CROSSBAR WITH SCREWS |
| 10 | 30934 | TOP BOLT GUIDE ASSEMBLY |
| 11 | 30320 | BOTTOM BOLT GUIDE ASSEMBLY |
| 12 | 301117 | DOGGING PIN ASSEMBLY - THUMBTURN |
| 13 | 30824 | TRIP BRACKET PACKAGE |
| 14 | 301084 | STRIKE PACKAGE - TOP AND BOTTOM |

PACKAGED PARTS AVAILABLE



| Assembly No. | Part No. | Description |
|--------------|----------|-------------------------------------|
| 1 | 30984 | RIGHT SIDE BODY AND PADDLE ASSEMBLY |
| 2 | 30985 | LEFT SIDE BODY AND PADDLE ASSEMBLY |
| 3 | 301258 | RIGHT SIDE PADDLE ASSEMBLY |
| 4 | 301259 | LEFT SIDE PADDLE ASSEMBLY |
| 5 | 301115 | STANDARD DOGGING PIN ASSEMBLY |
| 6 | 301409 | BODY HARDWARE PACKAGE |
| 7 | 30915J | ROD AND CASE ASSEMBLY - 7/0 |
| 8 | 30916 | ROD AND CASE HARDWARE PACKAGE |
| 10 | 30934 | TOP BOLT GUIDE ASSEMBLY |
| 11 | 30320 | BOTTOM BOLT GUIDE ASSEMBLY |
| 12 | 301117 | DOGGING PIN ASSEMBLY - THUMBTURN |
| 13 | 30824 | TRIP BRACKET PACKAGE |
| 14 | 301084 | STRIKE PACKAGE - TOP AND BOTTOM |