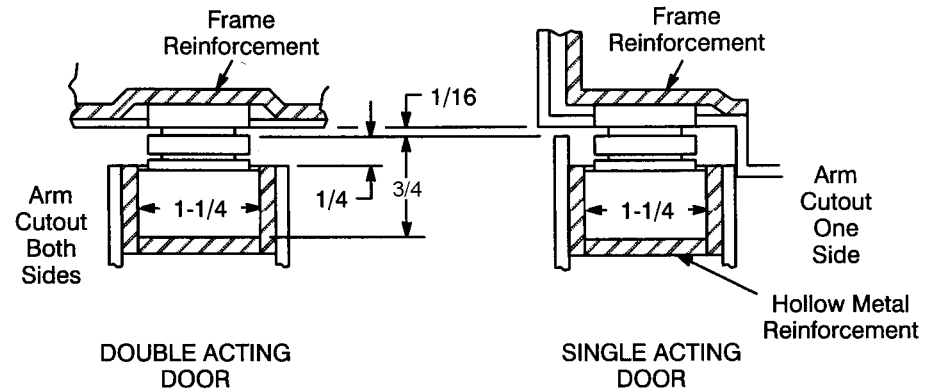


3. Locate "A" and "F" dimensions on centerline of door and mortise $3/4"$ deep for channel. $1/16"$ head clearance shown. Coordinate the arm and rail cutout dimensions if head clearance varies.

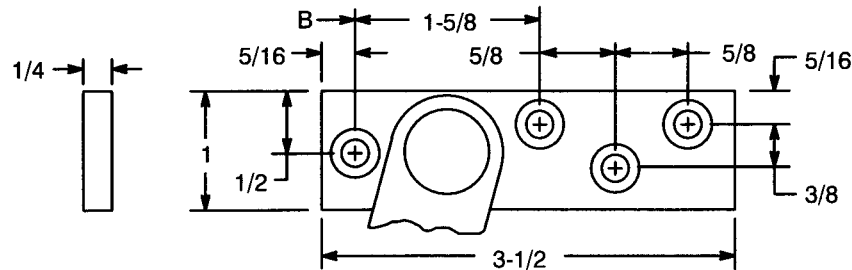


4. Locate "C" and "E" dimensions on top of door and mortise $1/4"$ deep as shown for arm cutout.
 5. Install door stop or holder with screws provided.

INSTALLATION INSTRUCTIONS

1. Determine degree of hold open or dead stop required. Then select proper dimensions from chart on opposite side of page. Add $5/8"$ to "A" dimension for dead stop.

NOTE: A, B and C dimensions are measured from hinge center, not edge of door. Locate "B" dimension on frame and mortise $1/4"$ deep for jamb bracket as shown.

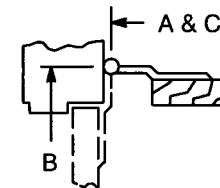


NOTES:

- All hollow metal frames are to be provided with $3/16"$ min. thickness x $12"$ min. length reinforcement plates.
- All hollow metal doors are to be properly reinforced as shown.
- If dead stop is required add $5/8"$ to "A" dimension as noted on opposite side of page.
- A, B and C dimensions are measured from centerline of pivot, not edge of door.
- Left hand shown, right hand opposite.
- All dimensions are given in inches.

CAUTION:

Note location of swing clear hinge centerline to determine "A" and "B" dimensions.



Screw Details	
Jamb	Door
1/4-20 x 5/8" FHMS or #14 x 1-1/2" FHWS	5/16-18 x 3/4" FHMS or #18 x 2-1/4" FHWS

**No. 6 Series
Concealed Door Stops and Holders**

RIXSON®

Rixson Specialty Door Controls

www.rixson.com

TEMPLATE NUMBER
OH80025A

DATE
2-00

No. 6 Series Concealed Door Stops and Holders

1. See OH80005A for installation instructions.
2. Select proper dimensions noted below.
3. Add 5/8" to "A" dimension for dead stop.
4. All dimensions given in inches.

When Using Center Hung Pivots, Check Pivot Manufacturer's Compatibility Prior to Specifying

* Butt mounting only.
Reversible, non-handed.

	Device Number			Degree	85° H.O.				90° H.O.				95° H.O.				100° H.O.				105° H.O.				110° H.O.				
	H.O.	Stop	Multi	Door Opening	A	B	C	E	A	B	C	E	A	B	C	E	A	B	C	E	A	B	C	E	A	B	C	E	
$1\frac{3}{4}$ - $2\frac{1}{4}$ Butts & $\frac{3}{4}$ Offset Pivot	6-126	6-136	6-146	24 - 28	4	5 $\frac{1}{2}$	4 $\frac{3}{4}$	11 $\frac{7}{8}$	3 $\frac{11}{16}$	5 $\frac{3}{16}$	4 $\frac{1}{2}$	13 $\frac{1}{4}$	* 3 $\frac{3}{8}$	* 4 $\frac{7}{8}$	* 3	14 $\frac{7}{16}$	* 3 $\frac{1}{16}$	* 4 $\frac{9}{16}$	* 1 $\frac{1}{2}$	* 15 $\frac{5}{8}$	* 2 $\frac{13}{16}$	* 4 $\frac{5}{16}$	* 0	16 $\frac{7}{8}$	* 2 $\frac{5}{8}$	* 4 $\frac{1}{8}$	* 0	* 16 $\frac{5}{8}$	16 $\frac{1}{16}$
	6-226	6-236	6-246	28 $\frac{1}{16}$ - 33	5 $\frac{3}{4}$	6 $\frac{9}{16}$	6	15 $\frac{3}{4}$	5 $\frac{3}{8}$	6 $\frac{3}{16}$	5 $\frac{1}{2}$	15 $\frac{7}{8}$	5	5 $\frac{13}{16}$	4 $\frac{1}{2}$	16 $\frac{1}{2}$	* 4 $\frac{11}{16}$	* 5 $\frac{1}{2}$	* 3 $\frac{1}{2}$	* 17 $\frac{3}{16}$	* 4 $\frac{7}{16}$	* 5 $\frac{1}{4}$	* 2 $\frac{1}{4}$	* 18 $\frac{3}{16}$	* 4 $\frac{3}{16}$	* 5	* 1	* 19 $\frac{1}{8}$	17 $\frac{5}{16}$
	6-326	6-336	6-346	33 $\frac{1}{16}$ - 38	9 $\frac{5}{16}$	7 $\frac{7}{8}$	7 $\frac{3}{4}$	19 $\frac{1}{16}$	8 $\frac{7}{8}$	7 $\frac{7}{16}$	7 $\frac{1}{4}$	19 $\frac{1}{8}$	8 $\frac{7}{16}$	7	6 $\frac{3}{4}$	19 $\frac{1}{8}$	8	6 $\frac{9}{16}$	6 $\frac{1}{4}$	19 $\frac{1}{4}$	7 $\frac{11}{16}$	6 $\frac{1}{4}$	5 $\frac{1}{2}$	19 $\frac{5}{8}$	7 $\frac{7}{16}$	6	4 $\frac{1}{4}$	20 $\frac{5}{8}$	18 $\frac{13}{16}$
	6-426	6-436	6-446	38 $\frac{1}{16}$ - 43	12 $\frac{1}{4}$	9 $\frac{11}{16}$	9 $\frac{1}{2}$	22 $\frac{3}{8}$	11 $\frac{3}{4}$	9 $\frac{3}{16}$	9	22 $\frac{3}{8}$	11 $\frac{1}{4}$	8 $\frac{11}{16}$	8 $\frac{1}{2}$	22 $\frac{3}{8}$	10 $\frac{3}{4}$	8 $\frac{3}{16}$	8	22 $\frac{3}{8}$	10 $\frac{5}{16}$	7 $\frac{3}{4}$	7 $\frac{1}{2}$	22 $\frac{3}{8}$	10	7 $\frac{7}{16}$	7 $\frac{1}{4}$	22 $\frac{3}{8}$	20 $\frac{15}{16}$
	6-526	6-536	6-546	43 $\frac{1}{16}$ - 48	15 $\frac{7}{8}$	11 $\frac{1}{16}$	10 $\frac{3}{4}$	26 $\frac{1}{4}$	15 $\frac{1}{4}$	10 $\frac{7}{16}$	10 $\frac{1}{4}$	26 $\frac{1}{4}$	14 $\frac{5}{8}$	9 $\frac{13}{16}$	9 $\frac{1}{2}$	26 $\frac{1}{4}$	14 $\frac{1}{8}$	9 $\frac{5}{16}$	9	26 $\frac{1}{4}$	13 $\frac{11}{16}$	8 $\frac{7}{8}$	8 $\frac{3}{4}$	26 $\frac{1}{4}$	13 $\frac{5}{16}$	8 $\frac{1}{2}$	8 $\frac{1}{4}$	26 $\frac{1}{4}$	22 $\frac{7}{16}$

NOTE: A, B, and C dimensions measured from centerline of pivot, not edge of door.

	Device Number			Degree	85° H.O.				90° H.O.				95° H.O.				100° H.O.				105° H.O.				110° H.O.					
	H.O.	Stop	Multi	Door Opening	A	B	C	E	A	B	C	E	A	B	C	E	A	B	C	E	A	B	C	E	A	B	C	E		F
$1\frac{3}{4}$ - $2\frac{1}{4}$ Center Hung	6-126	6-136	6-146	—	—	—	—	—	—	—	—	—	—	—	—	—	—	—	—	—	—	—	—	—	—	—	—	—	—	—
	6-226	6-236	6-246	30 - 36	6 $\frac{3}{16}$	7	6 $\frac{3}{4}$	15 $\frac{3}{8}$	5 $\frac{13}{16}$	6 $\frac{5}{8}$	6 $\frac{3}{8}$	15 $\frac{3}{8}$	5 $\frac{7}{16}$	6 $\frac{1}{4}$	6	15 $\frac{3}{8}$	5 $\frac{1}{8}$	5 $\frac{15}{16}$	5 $\frac{3}{4}$	15 $\frac{3}{8}$	4 $\frac{7}{8}$	5 $\frac{11}{16}$	5 $\frac{1}{2}$	15 $\frac{3}{8}$	—	—	—	—	17 $\frac{5}{16}$	
	6-326	6-336	6-346	36 $\frac{1}{16}$ - 41	9 $\frac{15}{16}$	8 $\frac{1}{2}$	8 $\frac{1}{4}$	19 $\frac{1}{8}$	9 $\frac{7}{16}$	8	7 $\frac{3}{4}$	19 $\frac{1}{8}$	9	7 $\frac{9}{16}$	7 $\frac{3}{8}$	19 $\frac{1}{8}$	8 $\frac{5}{8}$	7 $\frac{3}{16}$	7	19 $\frac{1}{8}$	8 $\frac{1}{4}$	6 $\frac{13}{16}$	6 $\frac{1}{2}$	19 $\frac{1}{8}$	7 $\frac{15}{16}$	6 $\frac{1}{2}$	6 $\frac{1}{4}$	19 $\frac{1}{8}$	18 $\frac{13}{16}$	
	6-426	6-436	6-446	41 $\frac{1}{16}$ - 46	12 $\frac{13}{16}$	10 $\frac{1}{4}$	10	22 $\frac{3}{8}$	12 $\frac{3}{16}$	9 $\frac{5}{8}$	9 $\frac{3}{8}$	22 $\frac{3}{8}$	11 $\frac{11}{16}$	9 $\frac{1}{8}$	9	22 $\frac{3}{8}$	11 $\frac{3}{16}$	8 $\frac{5}{8}$	8 $\frac{1}{2}$	22 $\frac{3}{8}$	10 $\frac{13}{16}$	8 $\frac{1}{4}$	8	22 $\frac{3}{8}$	10 $\frac{7}{16}$	7 $\frac{7}{8}$	7 $\frac{3}{4}$	22 $\frac{3}{8}$	20 $\frac{15}{16}$	
	6-526	6-536	6-546	46 $\frac{1}{16}$ - 50	16 $\frac{9}{16}$	11 $\frac{3}{4}$	11 $\frac{1}{2}$	26 $\frac{1}{8}$	15 $\frac{13}{16}$	11	10 $\frac{3}{4}$	26 $\frac{1}{8}$	15 $\frac{1}{8}$	10 $\frac{5}{16}$	10	26 $\frac{1}{8}$	14 $\frac{5}{8}$	9 $\frac{13}{16}$	9 $\frac{1}{2}$	26 $\frac{1}{8}$	14 $\frac{3}{16}$	9 $\frac{3}{8}$	9	26 $\frac{1}{8}$	13 $\frac{3}{4}$	8 $\frac{15}{16}$	8 $\frac{3}{4}$	26 $\frac{1}{8}$	22 $\frac{7}{16}$	

**No. 6 Series
Concealed Door Stops and Holders**



Rixson Specialty Door Controls

www.rixson.com

TEMPLATE NUMBER

OH80025B

DATE

2-99