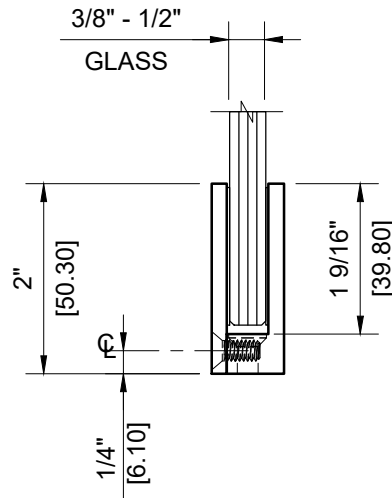
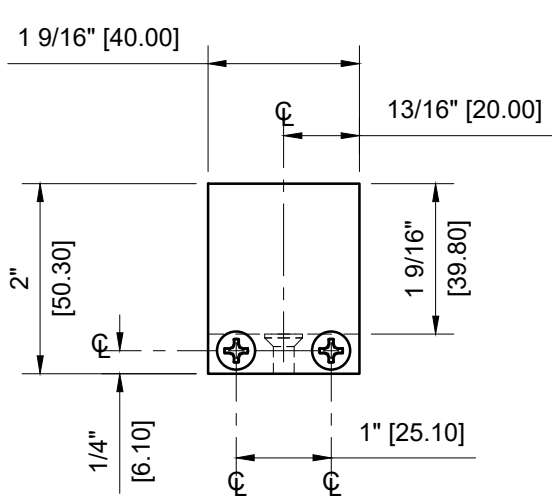
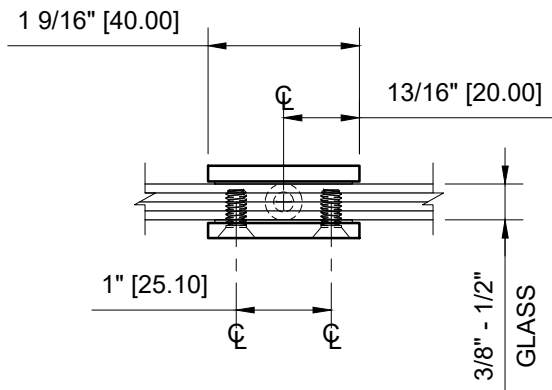


USE OF GASKETS
FOR 1/2" (12mm) GLASS: GASKET SUPPLIED
FOR 3/8" (10mm) GLASS: USE CRL CAT.# 820 TUFF-PAK TAPE



**EH15XX - CRL HEAVY GLASS FACE PLATE GLASS CLAMPS**

DATE: 2-10-2020  
SCALE: 6"=1'-0"  
DRAWN BY: VM

DESCRIPTION: CRL - EH15\_\_ FIXED PANEL U-CLAMP  
HEAVY GLASS REMOVABLE FACE PLATE

C.R.LAURENCE CO. ARCHITECTURAL PRODUCTS  
2503 E. Vernon Avenue, Los Angeles, CA 90058-1897  
PH (800)-421-6144 FX: 800-587-7501 www.crlaurence.com

