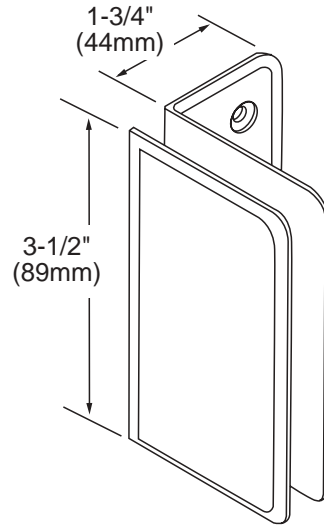




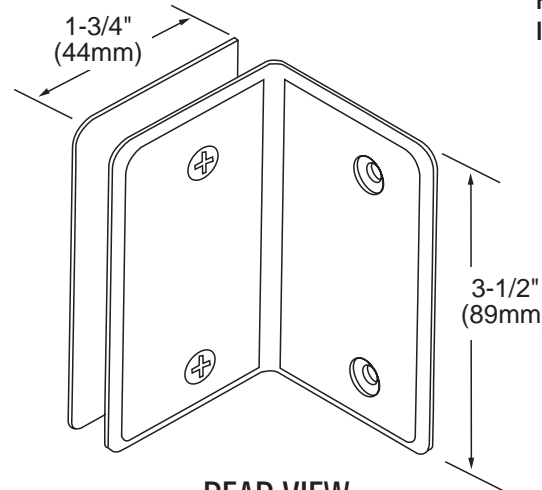
**C.R. LAURENCE CO., INC.**  
 PROFESSIONAL QUALITY

### Specifications:

**Material:** Solid Brass  
**Glass Thickness:** 1/4" (6mm) to 5/16" (8mm)  
**Hole Size Required:** 5/8" (16mm)  
**Includes:** Mounting screws and gaskets



FRONT VIEW



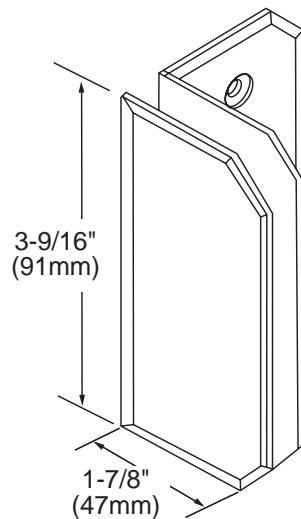
REAR VIEW

Template Shown on Next Page

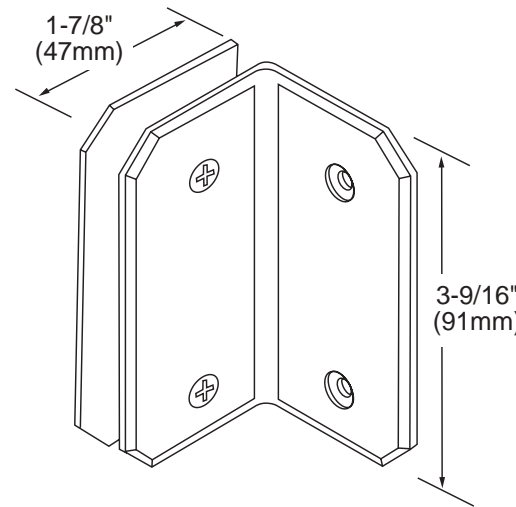
## GLASS CLAMPS

Petite Wall Bracket

CAT No. PE90S



FRONT VIEW



REAR VIEW

### Specifications:

**Material:** Solid Brass  
**Glass Thickness:** 1/4" (6mm) to 5/16" (8mm)  
**Hole Size Required:** 5/8" (16mm)  
**Includes:** Mounting screws and gaskets

Template Shown on Next Page

## GLASS CLAMPS

Monaco Wall Bracket

CAT No. M090S