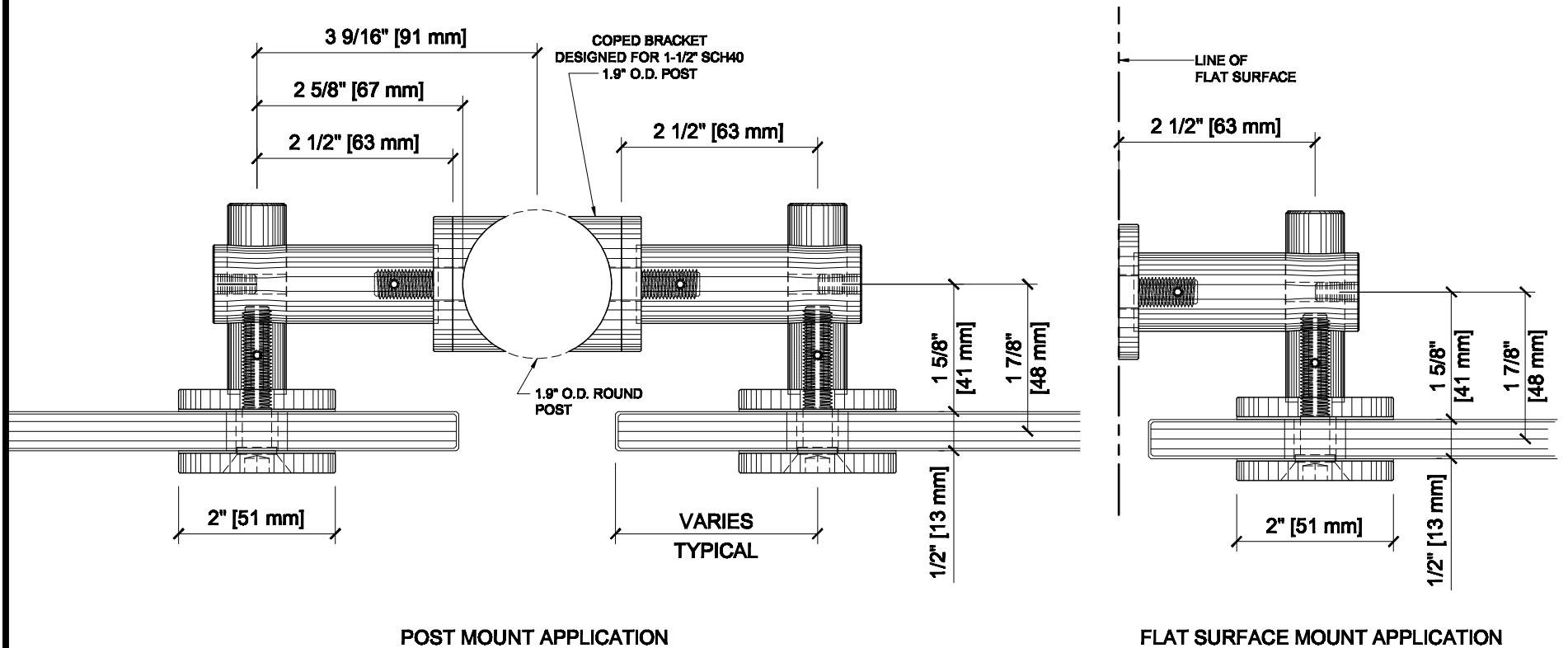


CRL FIXED DOUBLE ARM GLASS FITTING FOR ROUND POST OR FLAT SURFACE MOUNTING



POST MOUNT APPLICATION

FLAT SURFACE MOUNT APPLICATION

**GLASS FITTING BRACKET
ASSEMBLY DETAIL USED FOR:**

CATALOG NUMBER	FINISH
RB51FBS	BRUSHED S/S
RB51FPS	POLISHED S/S

NOTE: FOR USE WITH 1/2' (12mm) TEMPERED GLASS
(DO NOT USE RAW OR ANNEALED GLASS)
ONE 3/4" (19 mm) DIA. HOLE PER FITTING

ALWAYS USE DIMENSIONS SHOWN ON THE PLAN.
DO NOT SCALE OR DIMENSION ACTUAL DRAWING
TO ENSURE ACCURACY

 C.R. LAURENCE CO.	 ARCHITECTURAL PRODUCTS PH: 800-421-6144 FX: 800-262-3299 WWW.CRLAURENCE.COM	DESCRIPTION: FIXED FITTING SET	CAT. NO: (SEE CHART)	DATE: 04/23/09
			FILE NAME: RB51F	SCALE: N.T.S.
DRAWN BY: R.A.			CHECKED BY: C.H.	SHT 1 OF 1