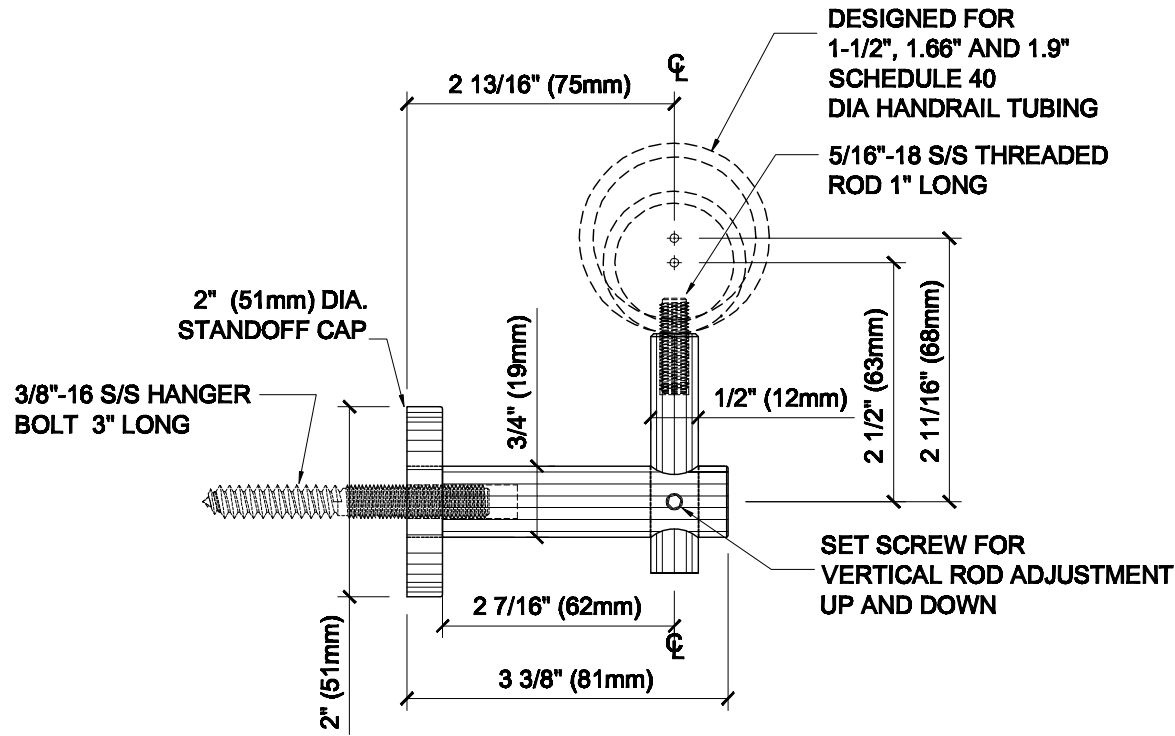
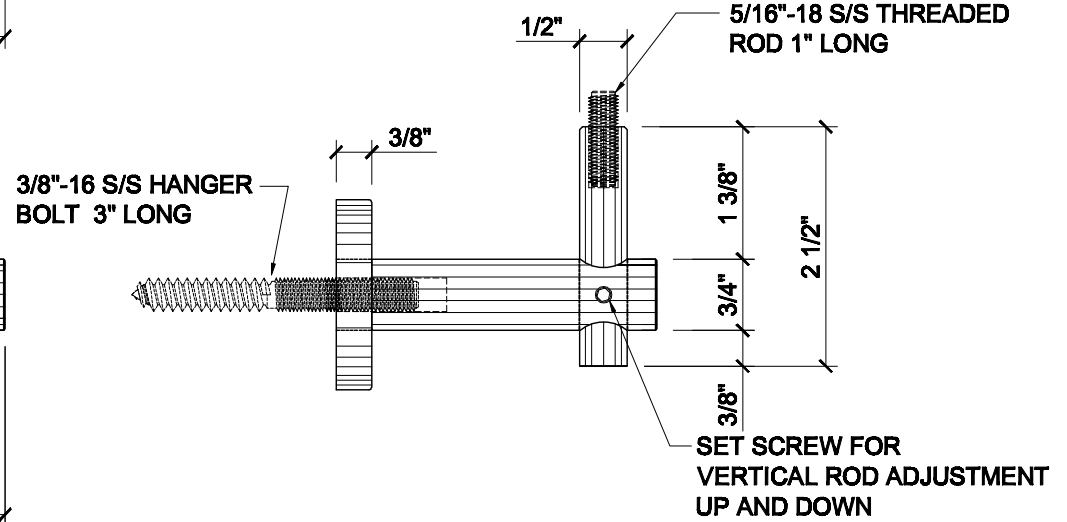
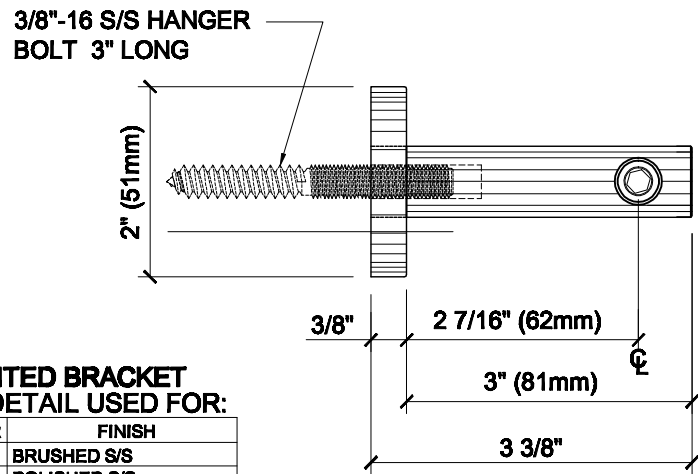


CRL WALL MOUNTED HAND RAIL BRACKET



**NO SADDLE NEEDED
FOR INSTALLATION**



**WALL MOUNTED BRACKET
ASSEMBLY DETAIL USED FOR:**

CATALOG NUMBER	FINISH
HR2FWBS	BRUSHED S/S
HR2FWPS	POLISHED S/S
HR2FWMA	MILL ALUMINUM

CRL ARCHITECTURAL PRODUCTS
 PH: 800-421-8144 FX: 800-262-3299
 WWW.CRLAURENCE.COM

DESCRIPTION: **WALL MOUNTED HAND RAILING BRACKET**
 FOR 1-1/2", 1.66" AND 1.9" SCHEDULE 40 DIA HANDRAIL TUBING

CAT. NO: (SEE CHART)	DATE: 02-04-09
FILE NAME: HR2FW	SCALE: N.T.S.
DRAWN BY: R.A.	CHECKED BY: C.H.
SHT 1 OF 1	