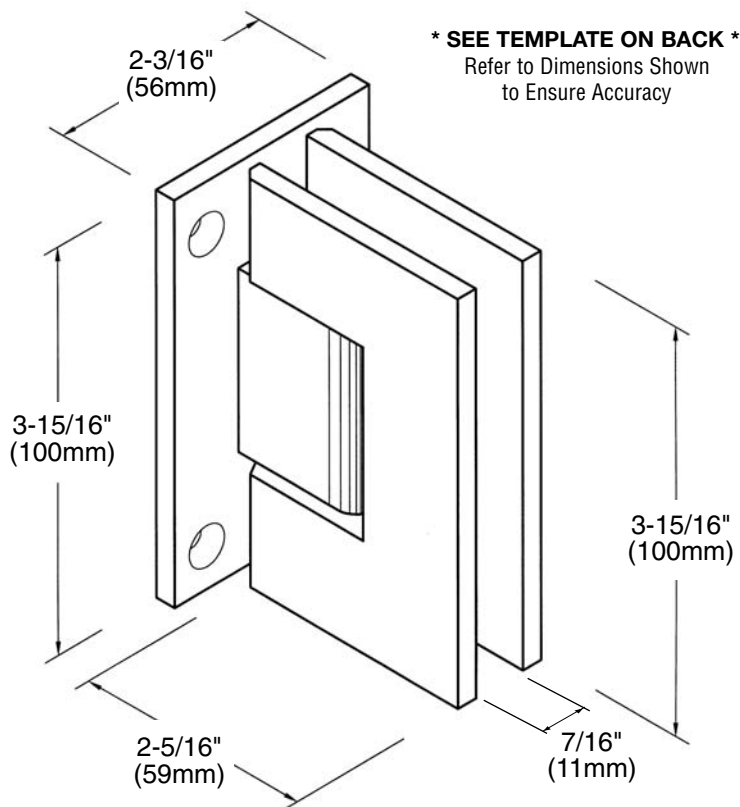




**C.R. LAURENCE CO., INC.**  
PROFESSIONAL QUALITY



## Important Information:

- 1) This Hinge contains a dual degree pivot pin. The pivot pin is set for normal door closing position. You have the option of altering the closing position of the door 5 degrees inward by utilizing the opposite side of the pivot pin, which has been pre-machined. Special order custom pivot pins are available (Cat.No. V1EP1N) that can be machined at any angle up to 45 degrees.
- 2) The Vienna Hinge is designed to accommodate two types of cut-outs in the glass. If the two steel pins in the body of the Hinge are left in place, the "mouse ear" cut-out option should be used. This application is recommended to prevent slippage. If the two steel pins are removed, the rectangular cut-out option can be utilized.

## Specifications:

- Glass Sizes:** 3/8" (10mm) to 1/2" (12mm) thick tempered safety glass  
**Construction:** Solid brass  
**Closing Type:** Self-centering when within 15° of closed position  
**Cut-out Required**  
**Includes:** Gaskets, screws and template

## Use of Gaskets:

- For 3/8" (10mm) Glass:** Use one thick gasket on each side  
**For 1/2" (12mm) Glass:** Use one thin gasket on each side

## Recommendations:

For public safety, we recommend the use of only tempered safety glass. Do not use power tools when installing these hinges.

## Maintenance Guidelines:

- Our hinges are greased at the factory for quiet and trouble-free operation. If there is any squeaking that occurs after installation, put a drop of "3 in 1 Oil" (also known as "household oil") on the white nylon washer that the hinge body pivots on. This washer is the component that acts as a buffer, so the body of the hinge doesn't pivot directly on the brass center block. This solution doesn't require the disassembly of the hinge.  
**Note: Do not use spray lubricant on these hinges.** If the hinge has been disassembled, upon re-assembly, use white lithium grease to lubricate the interior mechanism.
- Never use an abrasive cleaner on the hardware. Many of the components are coated with a clear lacquer that will be irreparably damaged if subjected to harsh, abrasive chemicals. Advise your customer that drying the hardware with a clean, soft towel on a daily basis is the best way to maintain the hardware. If mineral deposits build-up, mix a couple of drops of a mild liquid soap (such as Ivory or a similar product) into a cup of warm water. Using a soft, non-abrasive cloth, clean the hardware. Rinse thoroughly with clean, warm water and dry.

# VIENNA

## Wall Mount Hinge

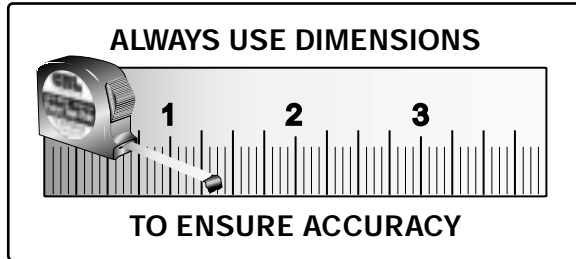
### CAT. No. V1E037

*Maximum Door Capacities	3/8" (10mm) Glass		1/2" (12mm) Glass	
	Weight	Width	Weight	Width
Using 2 Hinges	110 lbs.(50 kg)	36"(914mm)	110 lbs.(50 kg)	36"(914mm)
Using 3 Hinges	140 lbs.(64 kg)	36"(914mm)	140 lbs.(64 kg)	36"(914mm)

\*NOTE: Do not exceed either maximum weight or width when choosing proper quantity of hinges.

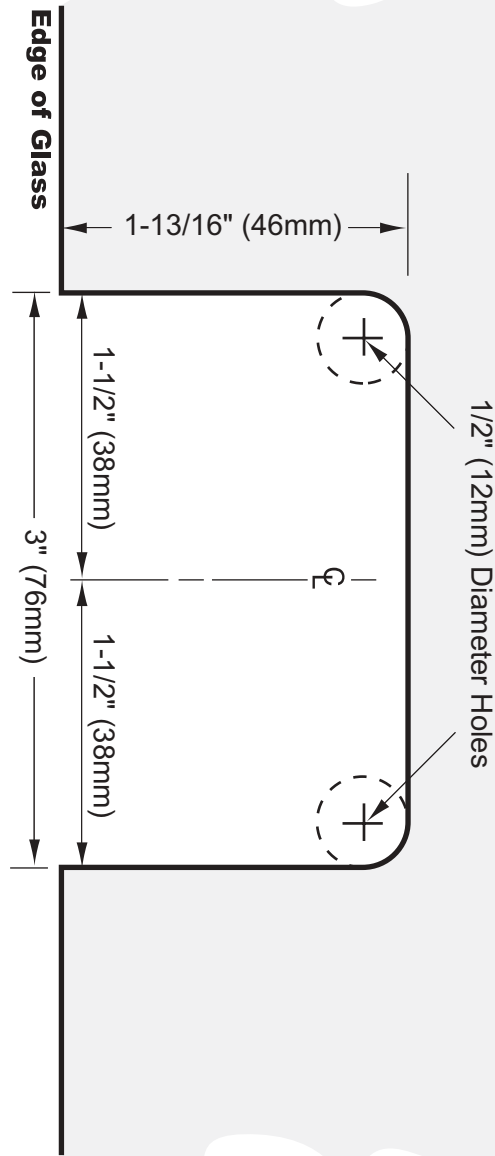


**C.R. LAURENCE CO., INC.**  
PROFESSIONAL QUALITY



**VIENNA**  
Wall Mount Hinge  
CAT. No. V1E037

**Rectangular  
Cut-out Option**



**IMPORTANT:**  
Project measurements from  
the edge of the glass.

**"Mouse-Ear"  
Cut-out Option**

