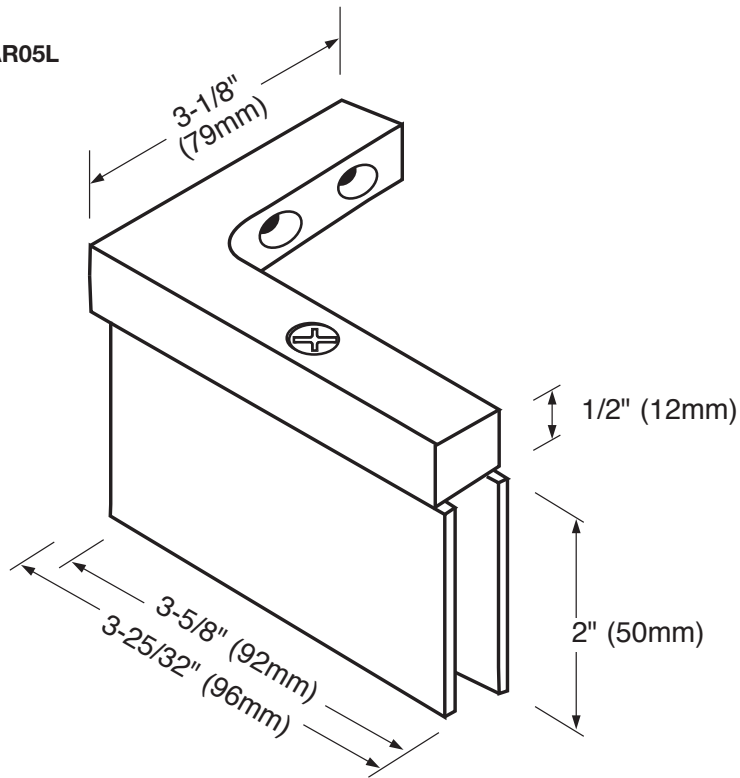


Model CAR05L
Shown



CARDIFF

Wall Mount Hinge

CAT. NO. CAR05L & CAR05R

***NOTE:** Do not exceed either maximum weight or width when choosing proper quantity of hinges.

Important Information:

Template Options: The Cardiff Wall Mount CAR05L or CAR05R Hinge offers two template options, depending upon the capabilities of the temperer (see lower left of this page). The Preferred Method allows a full vertical seal along the hinge side. The Alternate Method leaves a short leg of glass, thus not allowing a full length vertical seal.

Optional Pivot Pins: Optional 5° Pivot Pins (Cat. No. PIVPIN) are sold as a set, one pin for the top hinge and one pin for the bottom hinge. These 5° Offset Pivot Pins allow the installer to adjust the closing position of the door 5° inwards or outwards.

Specifications:

Glass Sizes: 5/16" (8mm) to 3/8" (10mm) thick tempered safety glass
 Construction: Solid brass
 Closing Type: Self-centering when within 15° of closed position
 Cutout Required
 Includes: Gaskets, screws and template

Maximum Door Capacities for Two Hinges

Maximum Door Weight: 100 lbs.(46 kg)
 Maximum Door Width: 31"(787mm)

Use of Gaskets:

For 5/16"(8mm) Glass: Use one thick gasket and one thin gasket on each side
 For 3/8"(10mm) Glass: Use one thick gasket on each side

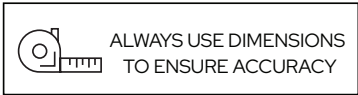
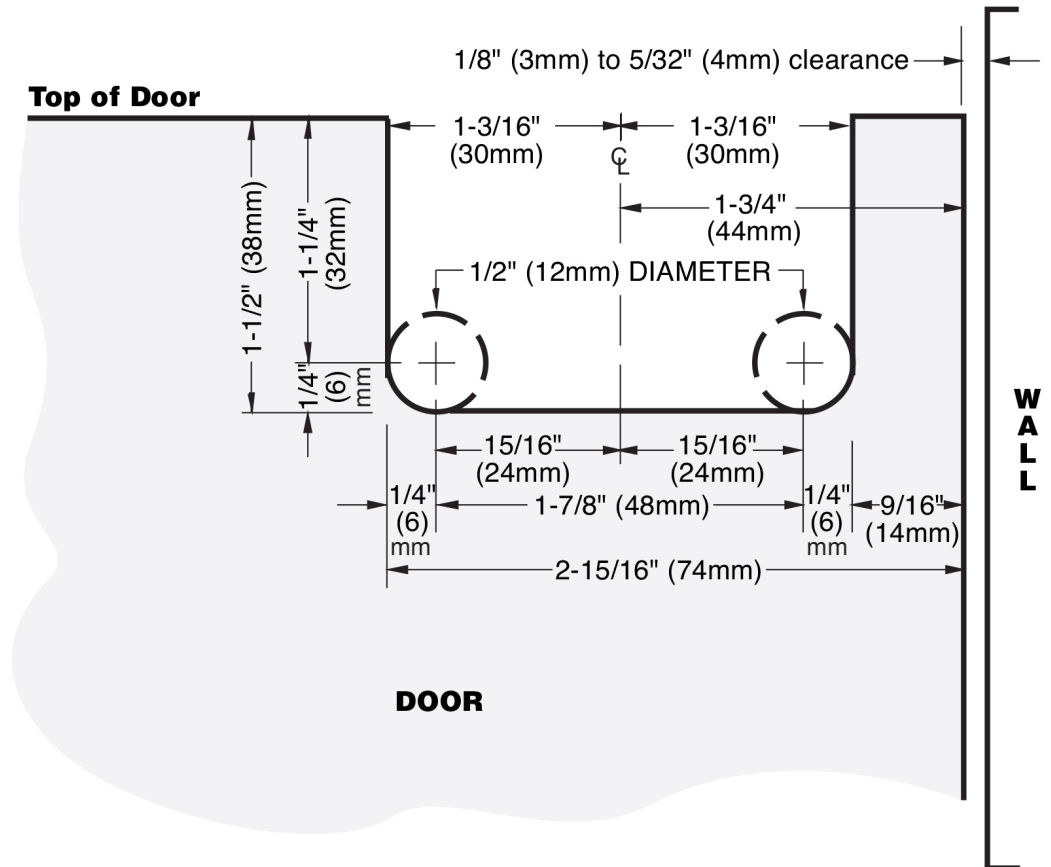
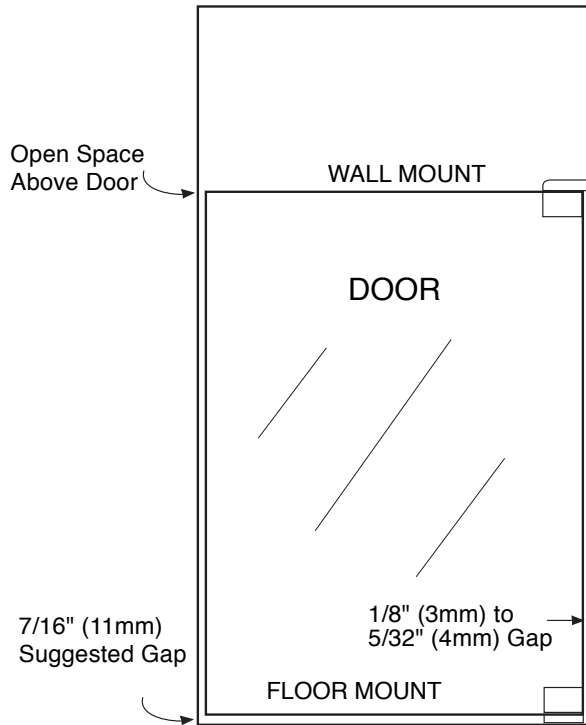
Recommendations:

For public safety, we recommend the use of only tempered safety glass. Do not use power tools when installing these hinges.

Maintenance Guidelines:

- Never use an abrasive cleaner on the hardware. Many of the components are coated with a clear lacquer that will be irreparably damaged if subjected to harsh, abrasive chemicals. Advise your customer that drying the hardware with a clean, soft towel on a daily basis is the best way to maintain the hardware. If mineral deposits build-up, mix a couple of drops of a mild liquid soap (such as Ivory or a similar product) into a cup of warm water. Using a soft, non-abrasive cloth, clean the hardware. Rinse thoroughly with clean, warm water and dry.

IMPORTANT: Project measurements from the edge of the glass.



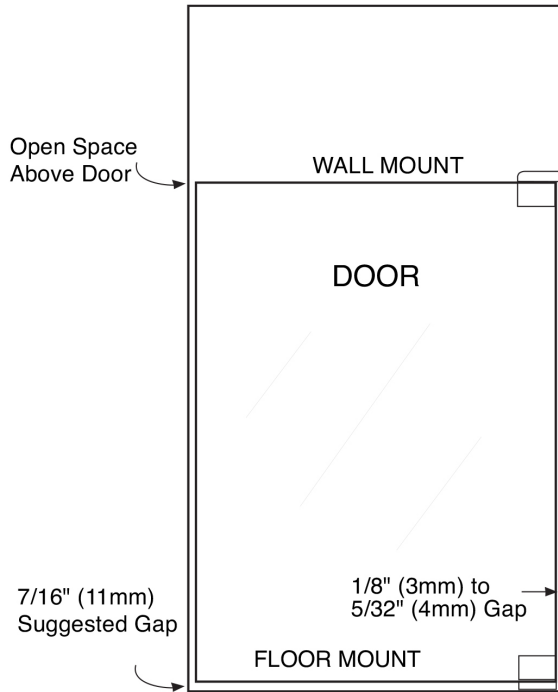
CARDIFF

Wall Mount Hinge

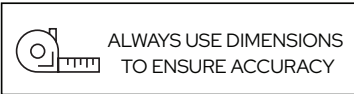
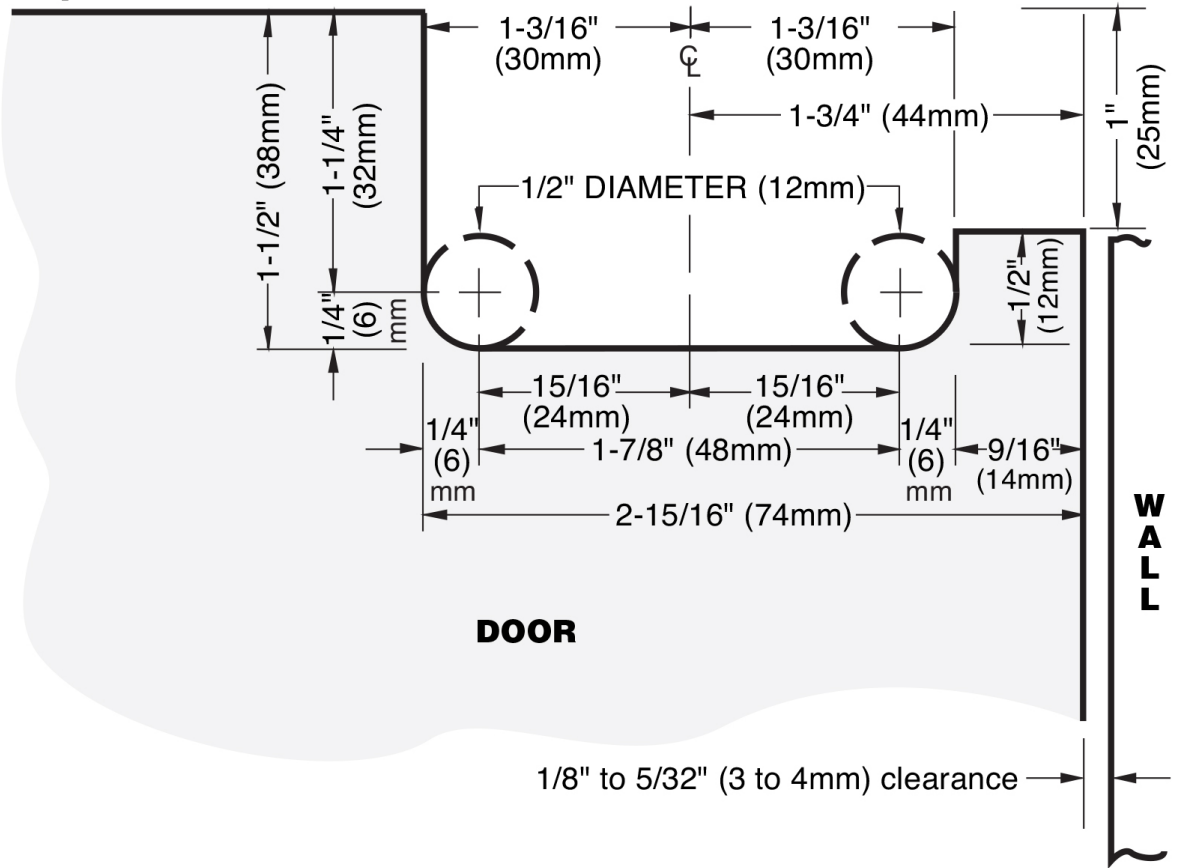
CAT. NO. CAR05L & CAR05R

Wall Mount Preferred Method (Even with top of door)

IMPORTANT: Project measurements from the edge of the glass.



Top of Door



CARDIFF

Wall Mount Hinge

CAT. NO. CAR05L & CAR05R

Wall Mount Alternate Method (Even with top of door)