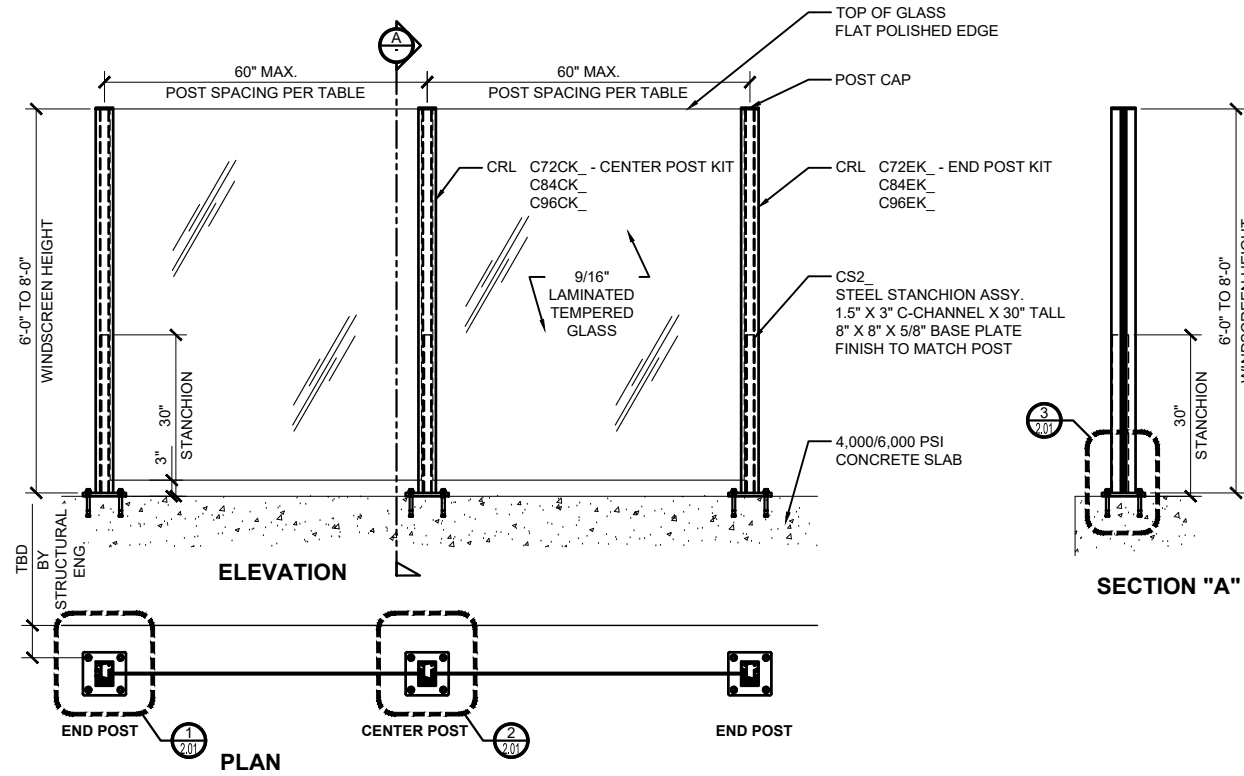


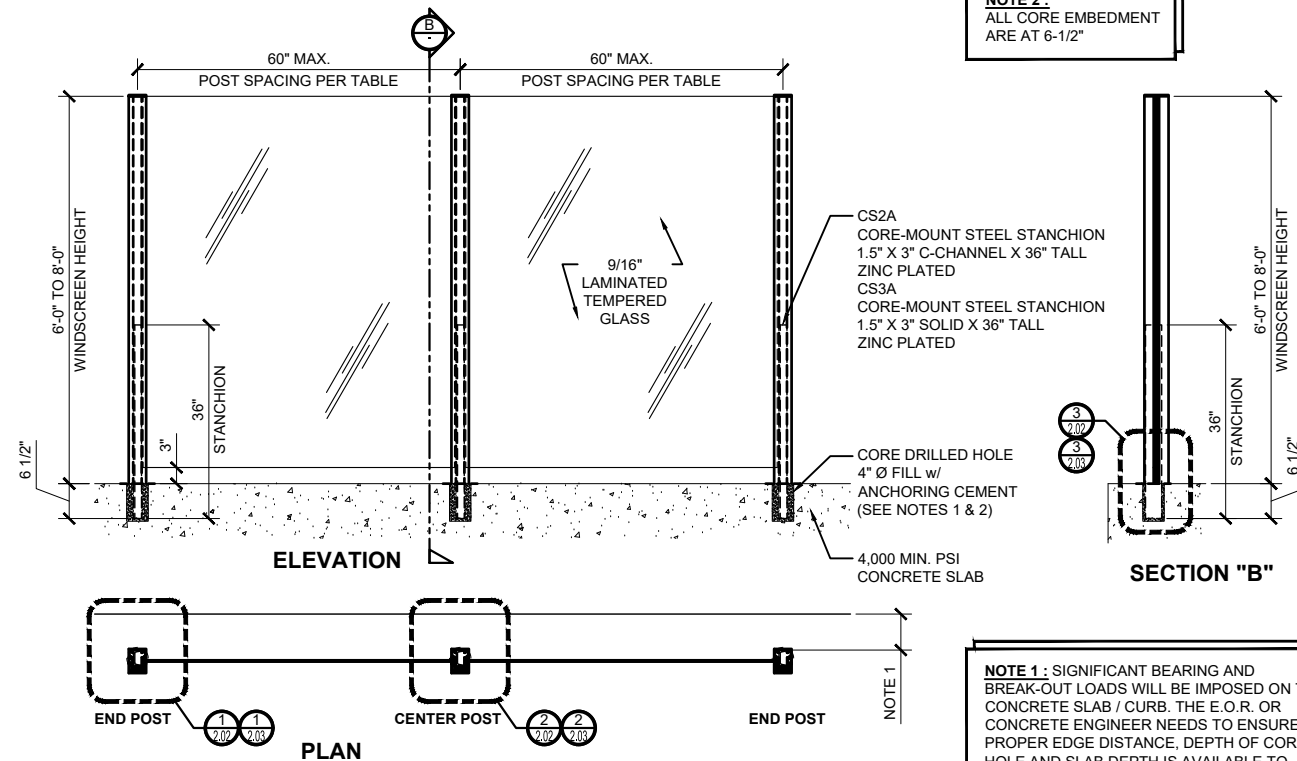
CRL CIELO WINDSCREEN SYSTEM

- DESIGNED FOR 9/16" THK. LAMINATED TEMPERED GLASS
- 6'-0" TO 8'-0" STANDARD POST HEIGHTS
- DESIGNED FOR STEEL OR CONCRETE MOUNTING ATTACHMENT
- 4 1/2" X 3 1/4" STD. POSTS (END & CENTER POSTS)



① TYP. WINDSCREEN (SURFACE MOUNT_CONCRETE)

SCALE: 3/4"=1'-0"



② TYP. WINDSCREEN (CORE MOUNT_CONCRETE)

ARCH REF:

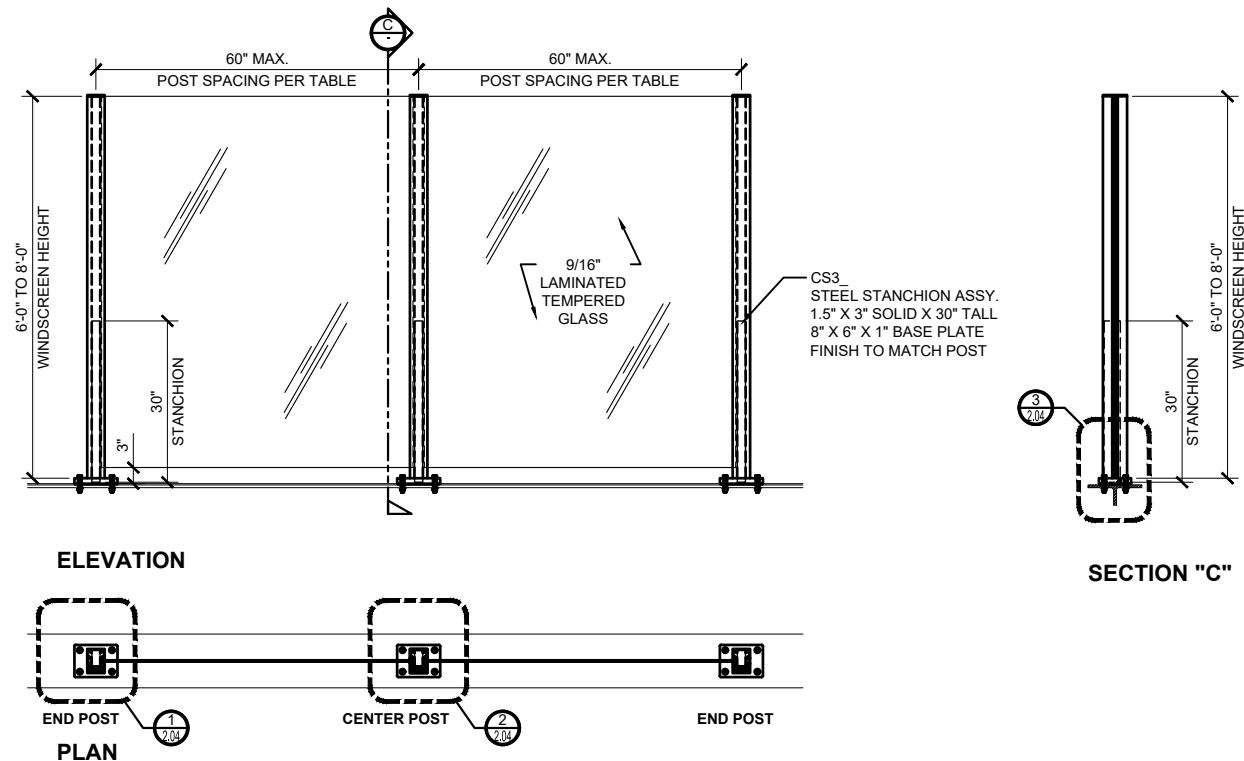
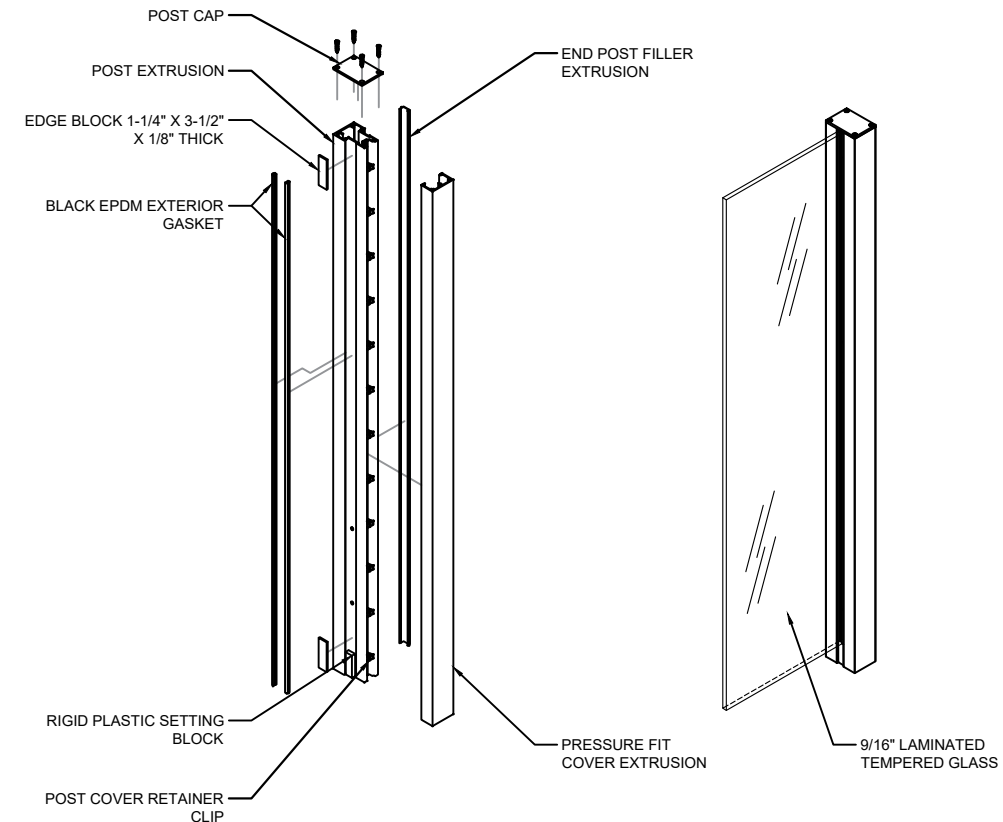
SCALE: 3/4"=1'-0"

NOTE 2:
ALL CORE EMBEDMENT ARE AT 6-1/2"

NOTE 1: SIGNIFICANT BEARING AND BREAK-OUT LOADS WILL BE IMPOSED ON THE CONCRETE SLAB / CURB. THE E.O.R. OR CONCRETE ENGINEER NEEDS TO ENSURE PROPER EDGE DISTANCE, DEPTH OF CORE HOLE AND SLAB DEPTH IS AVAILABLE TO RESOLVE MOMENTS / SHEARS IMPOSED BY THE EMBEDDED WINDSCREEN STANCHION

STRUCTURAL DISCLAIMER:

ALL CUSTOMERS WHO IN ANY WAY UTILIZE THIS PRODUCT ARE SOLELY RESPONSIBLE TO CONSULT A STRUCTURAL ENGINEER TO DETERMINE THE SUITABILITY OF THE PRODUCT FOR THE INTENDED USE AND SITE CONDITIONS. ALL INSTALLERS MUST BE QUALIFIED AND HAVE PROFESSIONAL KNOWLEDGE ABOUT COMPLIANCE WITH LOCAL, STATE AND FEDERAL REGULATIONS, SAFETY FACTORS, AND THE APPROPRIATE CHOICE OF FIXING MATERIAL AND PROCEDURES.



③ TYP. WINDSCREEN (SURFACE MOUNT_STEEL)

1" THK. BASE PLATE

SCALE: 3/4"=1'-0"

NOTE 3:
SEE TABLES FOR MAX. WINDSCREEN DIMENSIONS AND WIND LOADS

Revisions By:

CRL
A CRH COMPANY

2503 E. Vernon Avenue, Los Angeles, CA 90058-1897
PH (800)-451-6144 FX: 800-587-7501 www.crlaurence.com

Description:
CRL CIELO WINDSCREEN SYSTEM

FOR 9/16" GLASS

Drawn By: AB / RPD

Date: 05/05/2021

Scale: AS NOTED

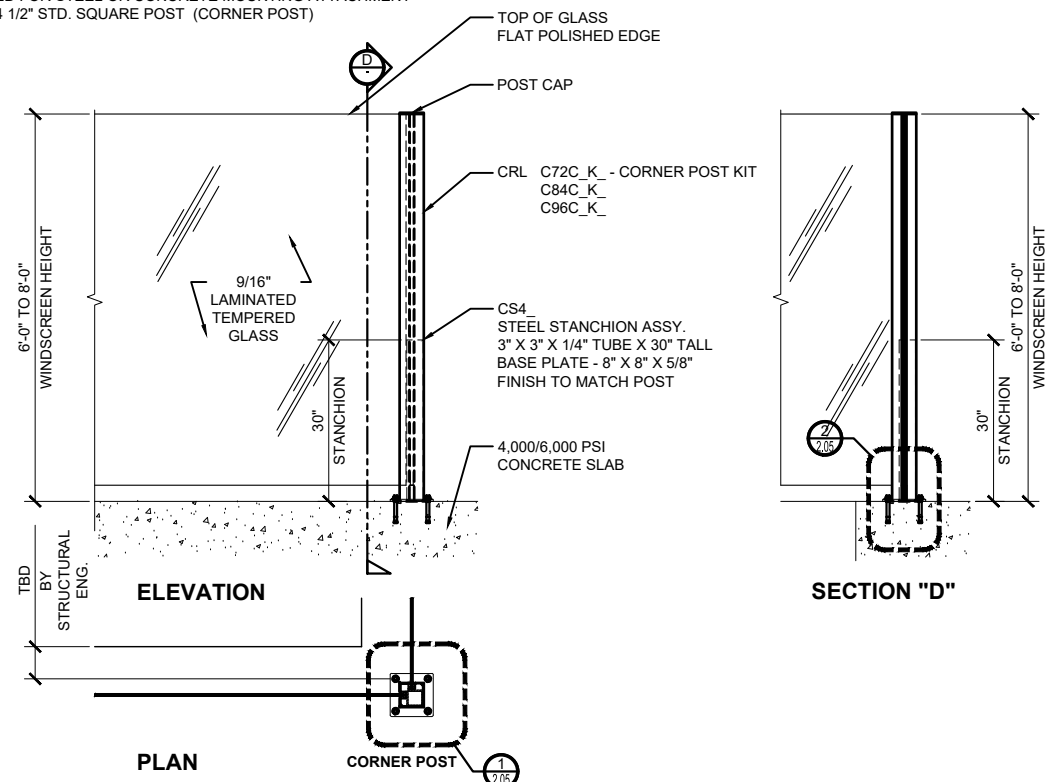
File Name:
SYS0129A_CIELO SYSTEM DRAWINGS

Sheet

1.01

CRL CIELO WINDSCREEN SYSTEM

- DESIGNED FOR 9/16" THK. LAMINATED TEMPERED GLASS
- 6'-0" TO 8'-0" STANDARD POST HEIGHTS
- DESIGNED FOR STEEL OR CONCRETE MOUNTING ATTACHMENT
- 4 1/2" X 4 1/2" STD. SQUARE POST (CORNER POST)



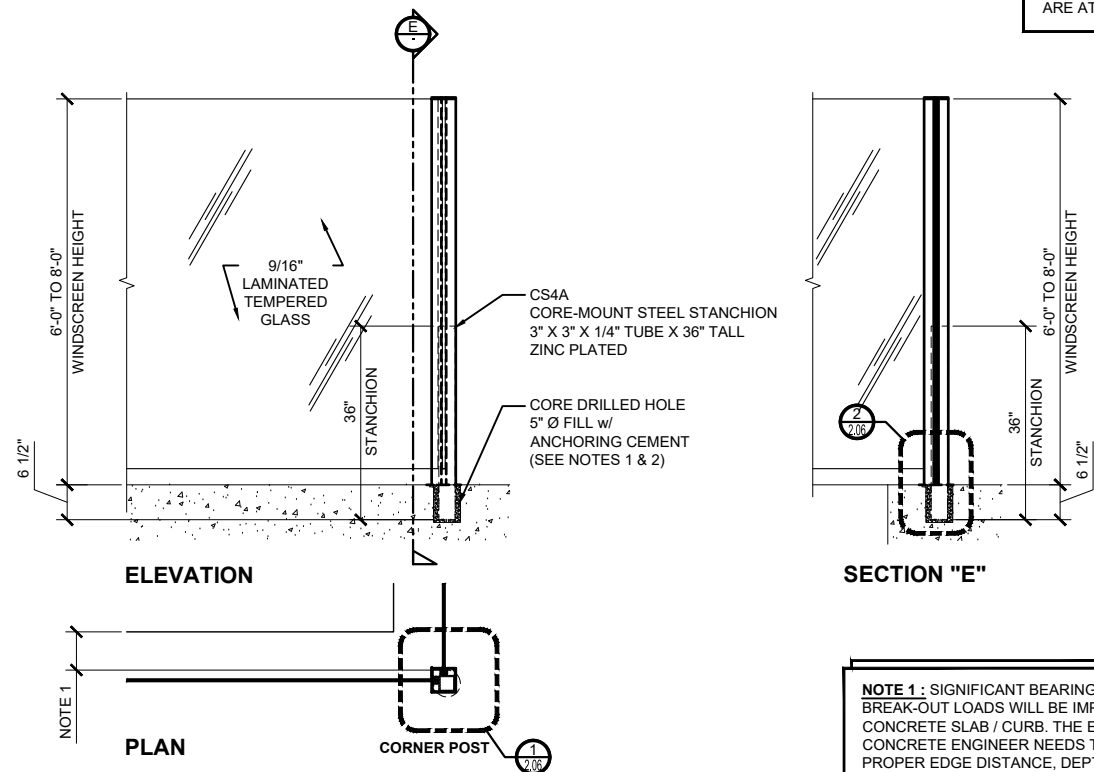
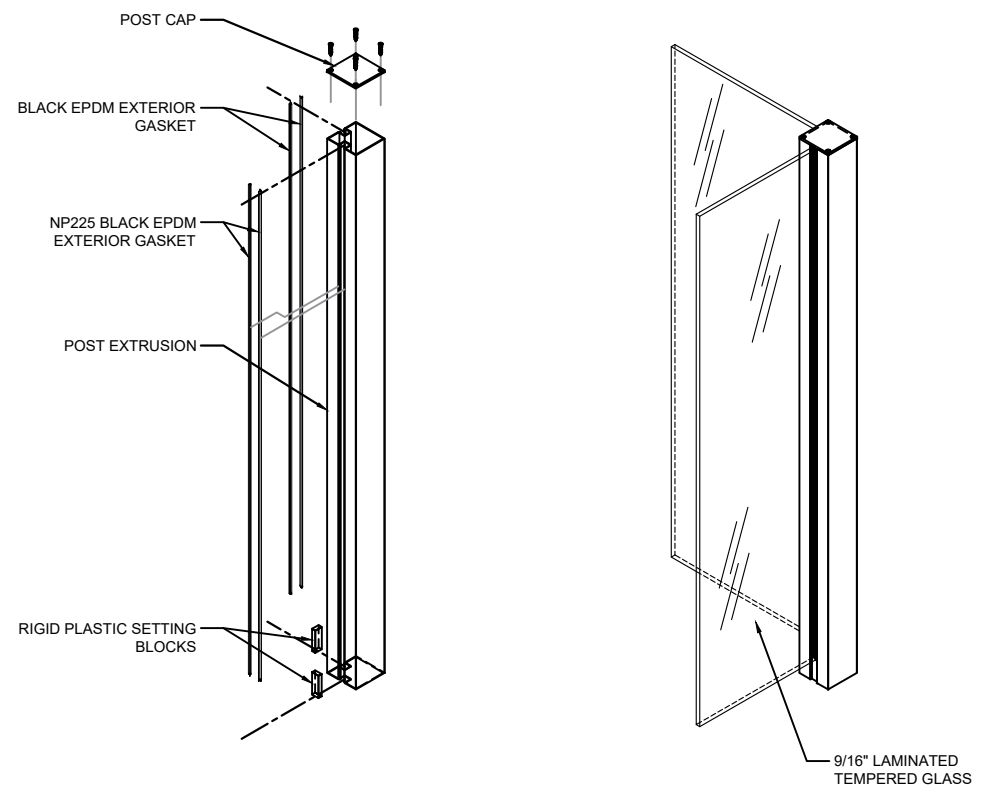
① TYP. WINDSCREEN (SURFACE MOUNT_CONCRETE)

SCALE: 3/4"=1'-0"

NOTE 2:
ALL CORE EMBEDMENT ARE AT 6-1/2"

STRUCTURAL DISCLAIMER:

ALL CUSTOMERS WHO IN ANY WAY UTILIZE THIS PRODUCT ARE SOLELY RESPONSIBLE TO CONSULT A STRUCTURAL ENGINEER TO DETERMINE THE SUITABILITY OF THE PRODUCT FOR THE INTENDED USE AND SITE CONDITIONS. ALL INSTALLERS MUST BE QUALIFIED AND HAVE PROFESSIONAL KNOWLEDGE ABOUT COMPLIANCE WITH LOCAL, STATE AND FEDERAL REGULATIONS, SAFETY FACTORS, AND THE APPROPRIATE CHOICE OF FIXING MATERIAL AND PROCEDURES.

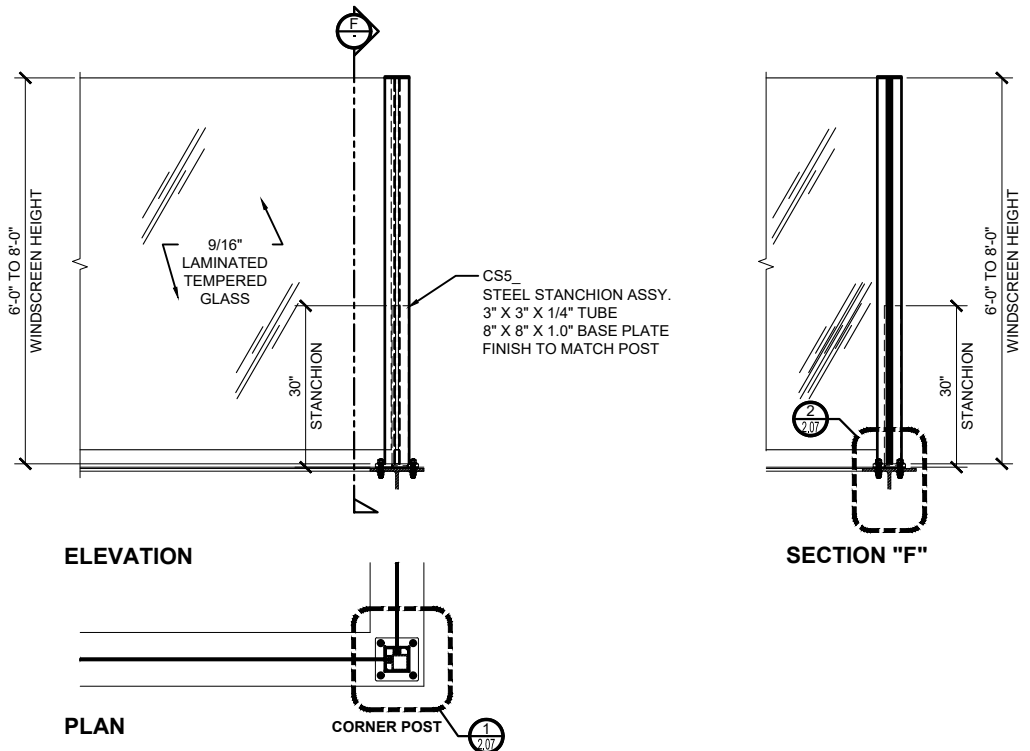


② TYP. WINDSCREEN (CORE MOUNT_CONCRETE)

ARCH REF:

SCALE: 3/4"=1'-0"

NOTE 1: SIGNIFICANT BEARING AND BREAK-OUT LOADS WILL BE IMPOSED ON THE CONCRETE SLAB / CURB. THE E.O.R. OR CONCRETE ENGINEER NEEDS TO ENSURE PROPER EDGE DISTANCE, DEPTH OF CORE HOLE AND SLAB DEPTH IS AVAILABLE TO RESOLVE MOMENTS / SHEARS IMPOSED BY THE EMBEDDED WINDSCREEN STANCHION



③ TYP. WINDSCREEN (SURFACE MOUNT_STEEL)

1" THK. BASE PLATE

SCALE: 3/4"=1'-0"

NOTE 3:
SEE TABLES FOR MAX. WINDSCREEN DIMENSIONS AND WIND LOADS

Revisions By:



2503 E. Vernon Avenue, Los Angeles, CA 90058-1897
PH (800)-451-6144 FX 800-887-7501 www.crlaurence.com

Description:
CRL CIELO WINDSCREEN SYSTEM

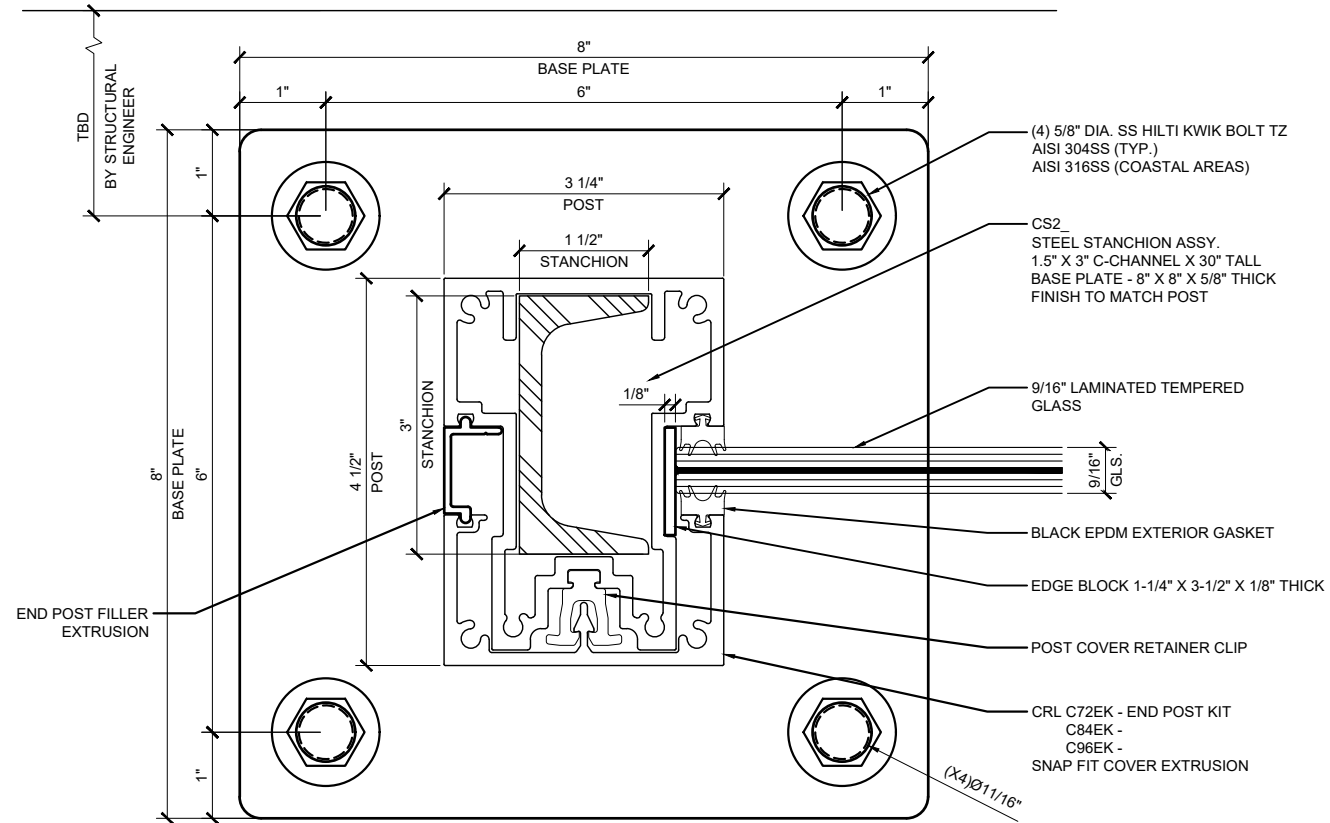
FOR 9/16" GLASS

Drawn By: AB / RPD
Date: 05/05/2021
Scale: AS NOTED

File Name:
SYS0129A_CIELO_SYSTEM_DRAWINGS

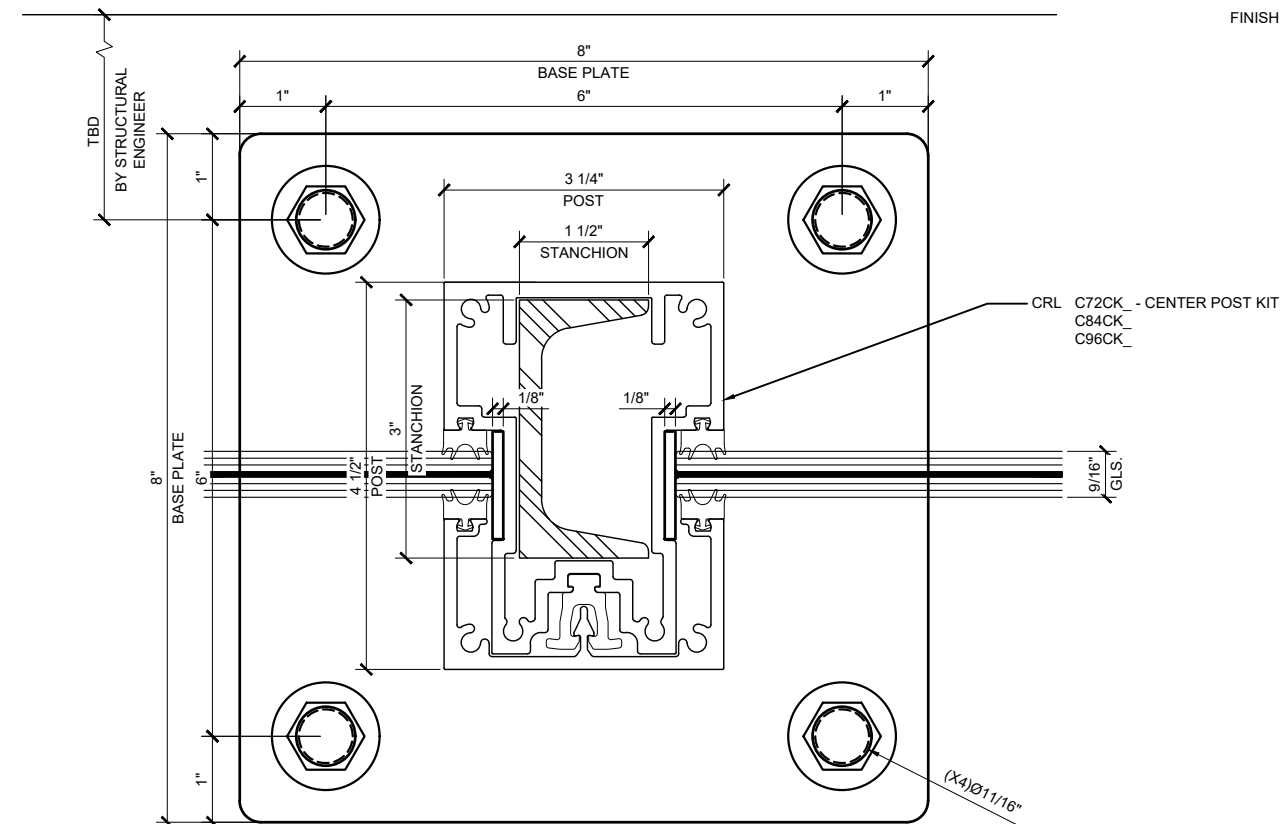
Sheet

CRL CIELO WINDSCREEN SYSTEM SURFACE MOUNT_CONCRETE



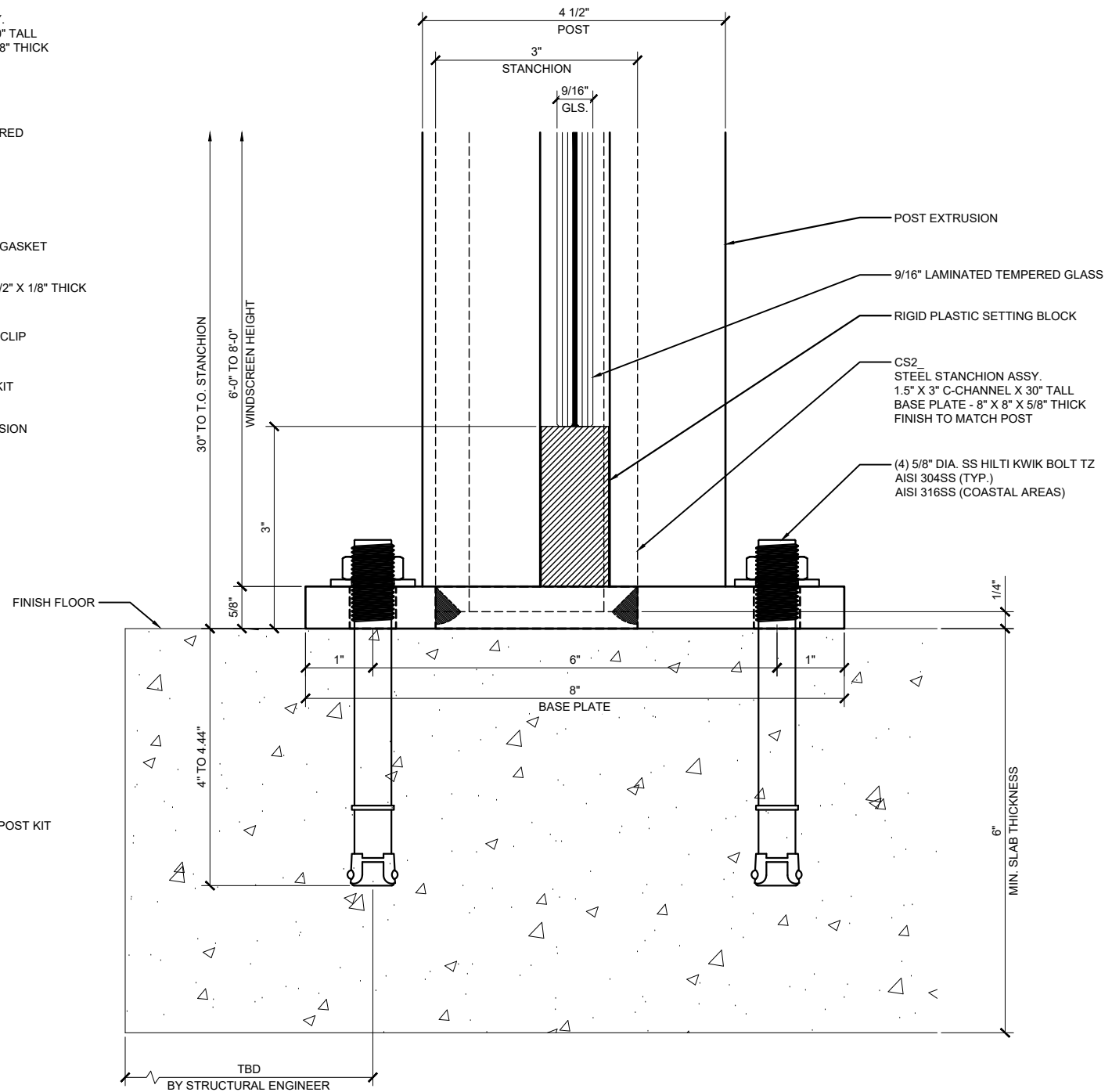
① WINDSCREEN END POST DETAIL

ARCH REF: SCALE: 1'-0"=1'-0"



② WINDSCREEN CENTER POST DETAIL

ARCH REF: SCALE: 1'-0"=1'-0"



③ WINDSCREEN ANCHOR DETAIL

ARCH REF: SCALE: 1'-0"=1'-0"

Revisions By:

CRL
A CRH COMPANY

2503 E. Vemon Avenue, Los Angeles, CA 90058-1897
PH (800)-451-6144 FX: 800-887-7501 www.crlaurence.com

Description:
CRL CIELO
WINDSCREEN SYSTEM

FOR 9/16" GLASS

Drawn By: AB / RPD

Date: 05/05/2021

Scale: AS NOTED

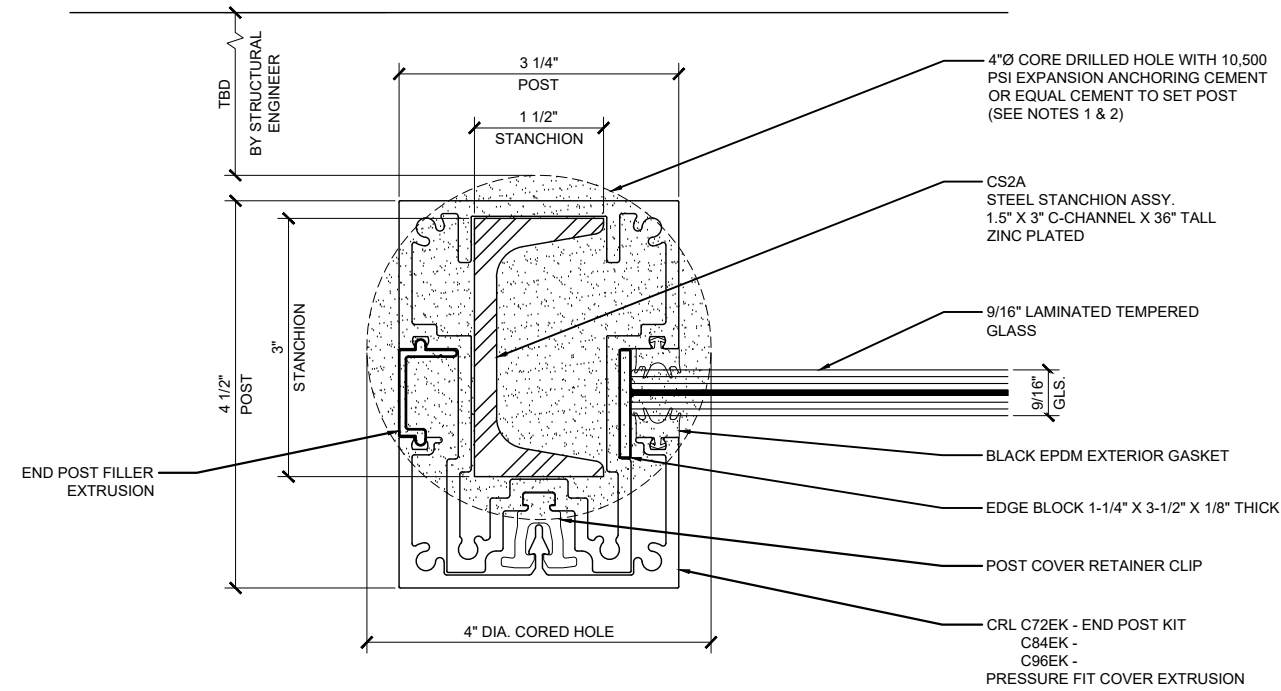
File Name:

SYS0129A_CIELO SYSTEM DRAWINGS

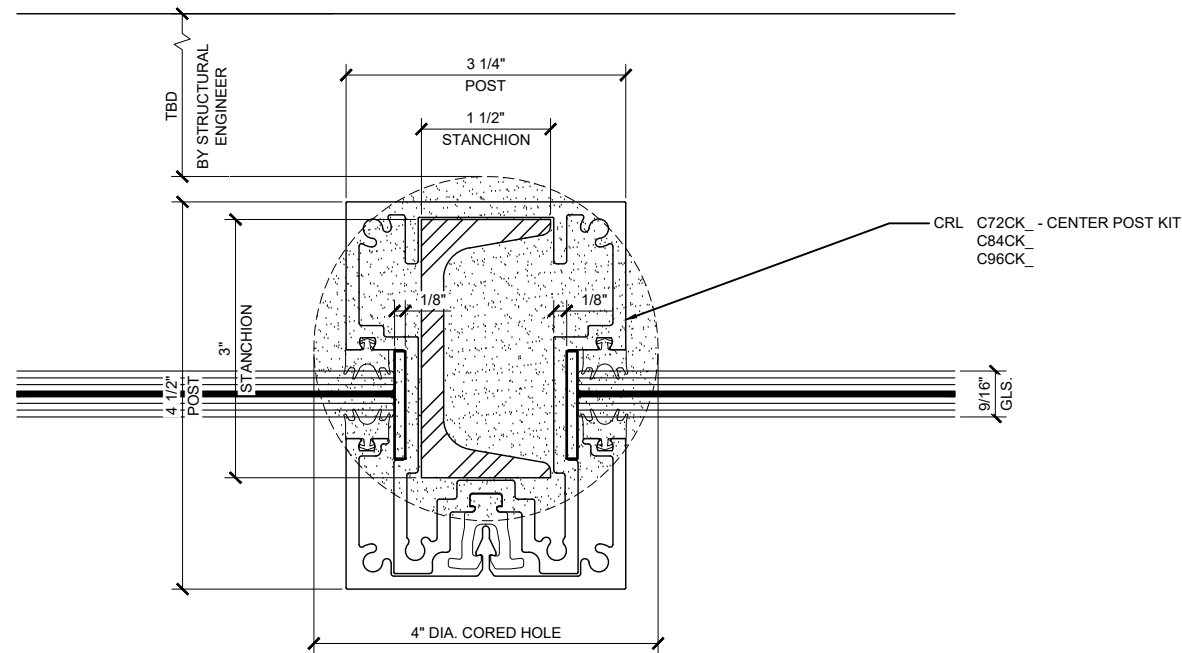
Sheet

2.01

CRL CIELO WINDSCREEN SYSTEM CORE MOUNT_CONCRETE

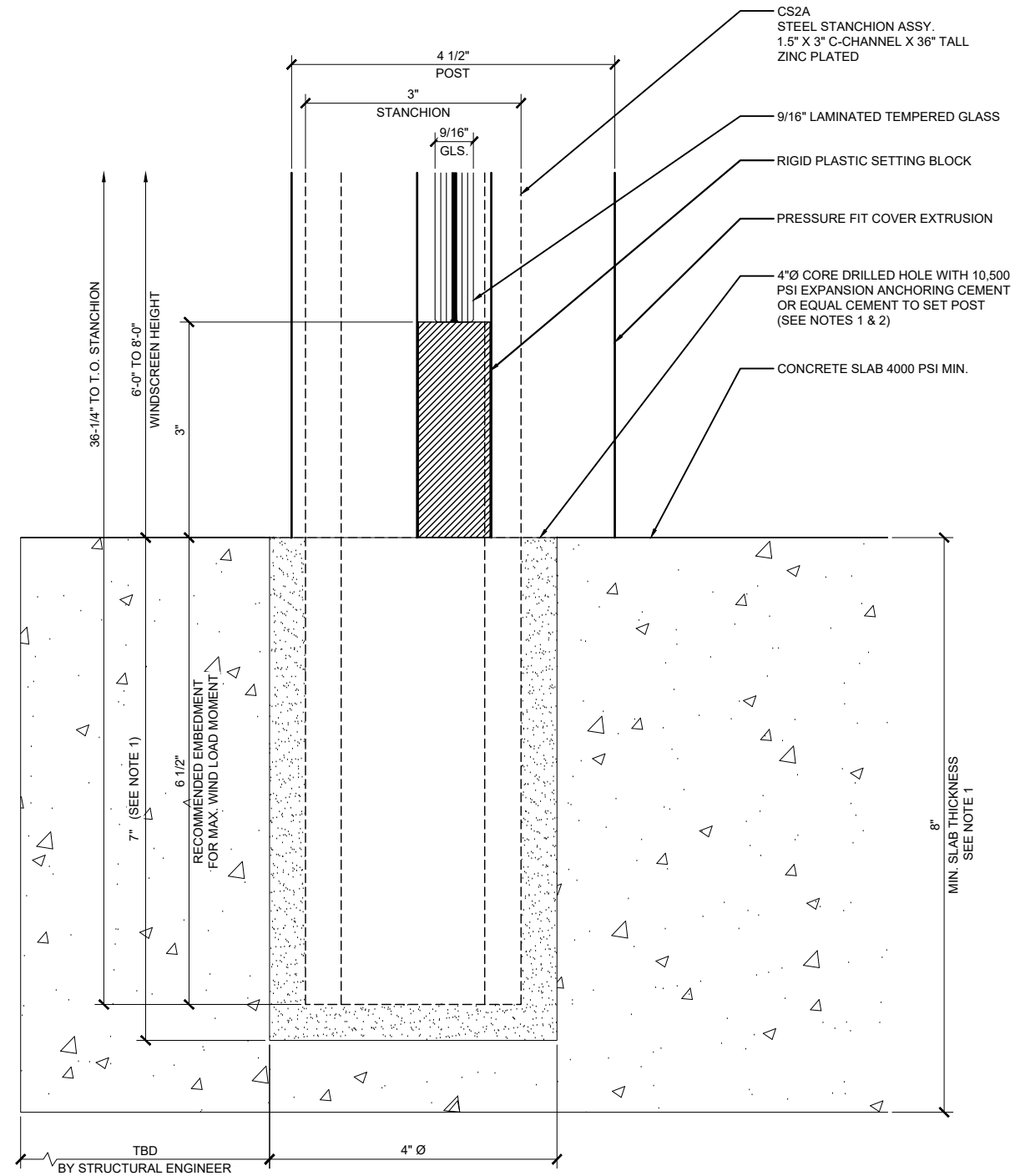


① WINDSCREEN END POST DETAIL
ARCH REF: _____ SCALE: 1'-0"=1'-0"



② WINDSCREEN CENTER POST DETAIL
ARCH REF: _____ SCALE: 1'-0"=1'-0"

NOTE 2:
ALL CORE EMBEDMENT
ARE AT 6-1/2"



NOTE 1: SIGNIFICANT BEARING AND BREAK-OUT LOADS WILL BE IMPOSED ON THE CONCRETE SLAB/CURB. THE E.O.R. OR CONCRETE ENGINEER NEEDS TO ENSURE PROPER EDGE DISTANCE, DEPTH OF CORE HOLE AND SLAB DEPTH IS AVAILABLE TO RESOLVE MOMENTS / SHEARS IMPOSED BY THE EMBEDDED WINDSCREEN STANCHION

③ WINDSCREEN ANCHOR DETAIL
ARCH REF: _____ SCALE: 1'-0"=1'-0"

Revisions By:

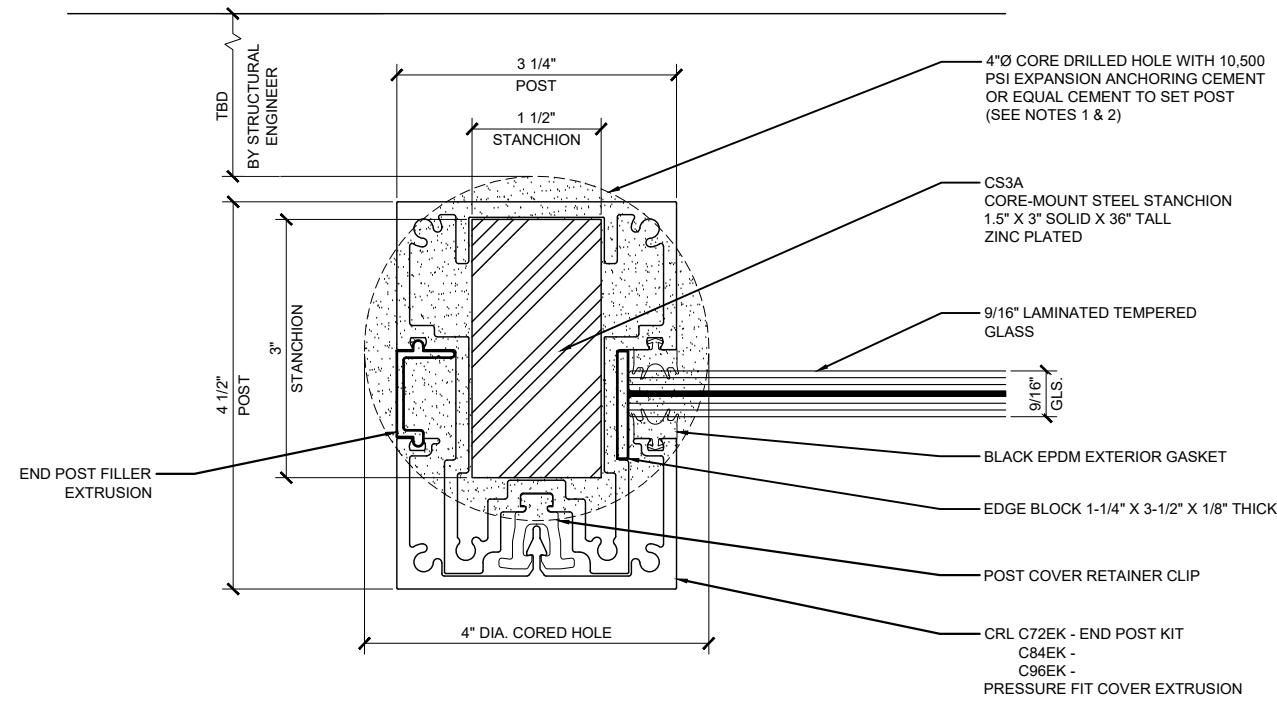
CRL
A CRH COMPANY
2603 E. Vernon Avenue, Los Angeles, CA 90058-1897
PH (800)-451-6144 FX: 800-587-7501 www.crlaurence.com

Description:
CRL CIELO WINDSCREEN SYSTEM

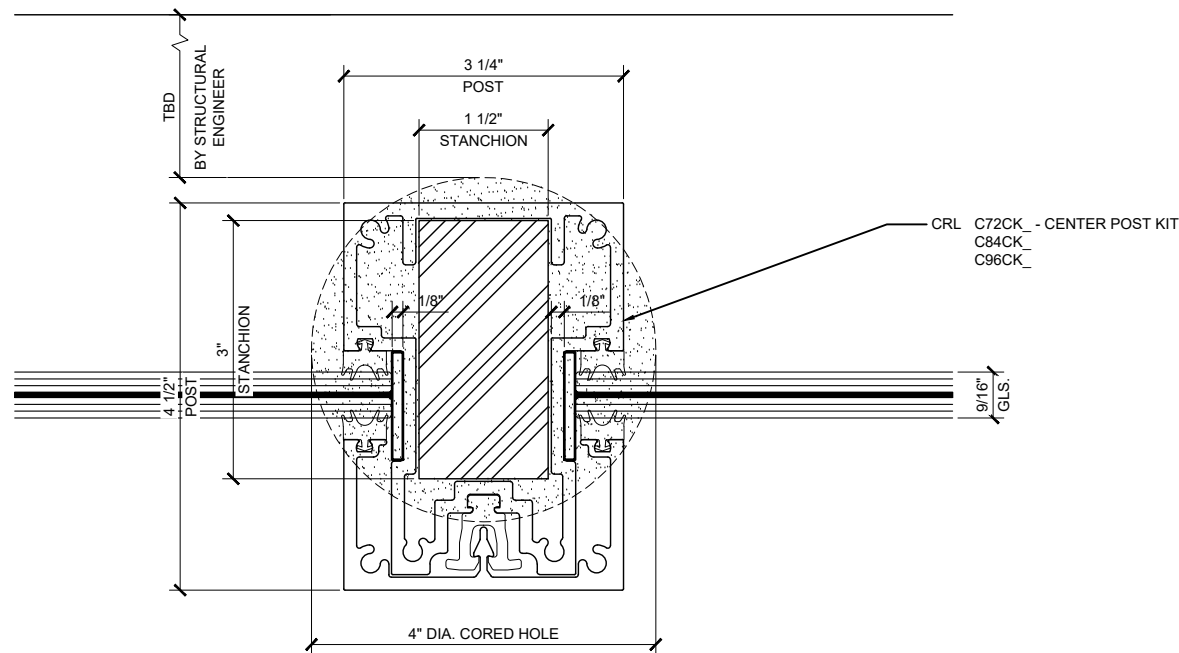
FOR 9/16" GLASS

Drawn By: AB / RPD
Date: 05/05/2021
Scale: AS NOTED
File Name: SYS0129A_CIELO SYSTEM DRAWINGS
Sheet

CRL CIELO WINDSCREEN SYSTEM CORE MOUNT_CONCRETE

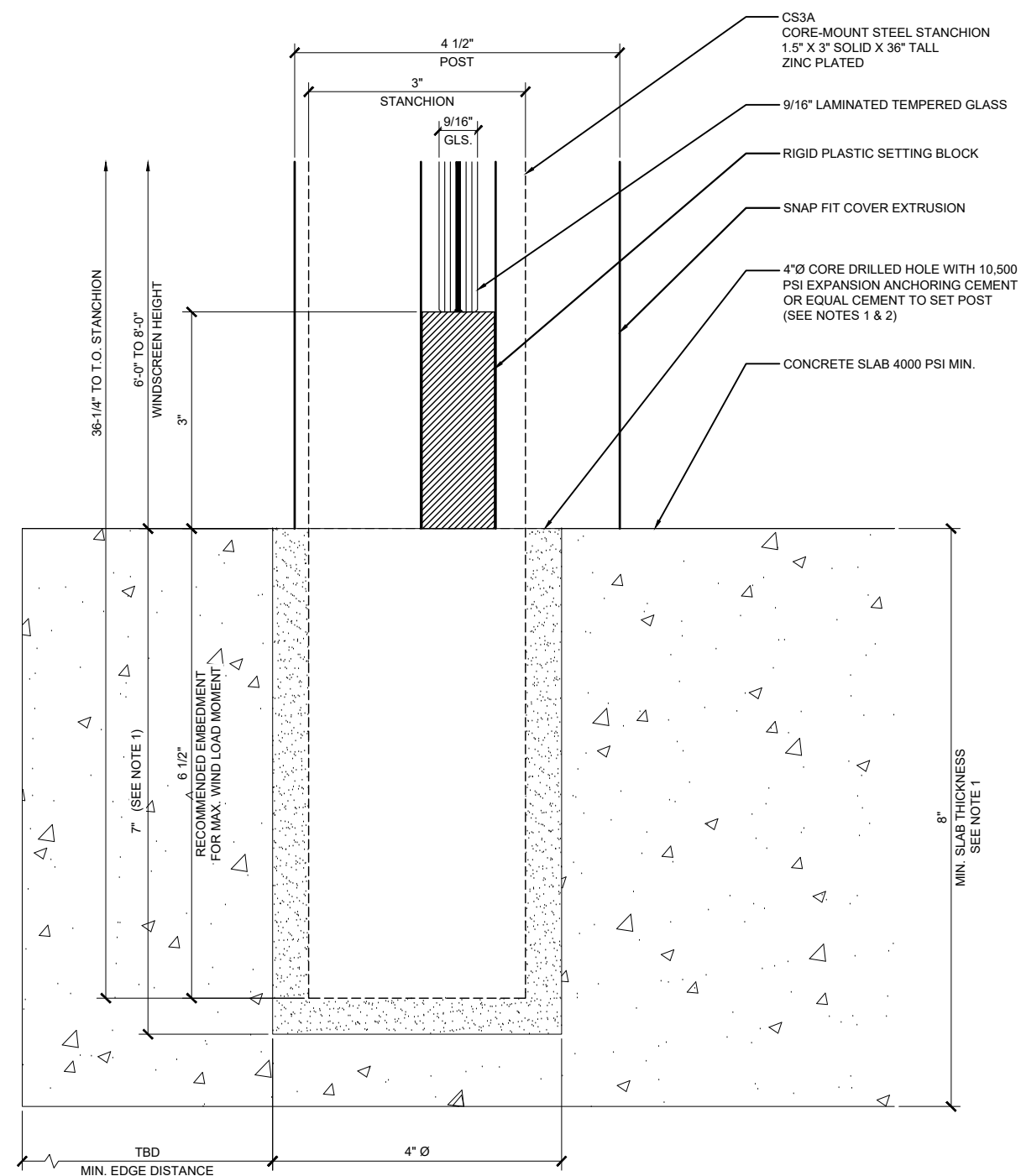


① WINDSCREEN END POST DETAIL
ARCH REF: _____ SCALE: 1'-0"=1'-0"



② WINDSCREEN CENTER POST DETAIL
ARCH REF: _____ SCALE: 1'-0"=1'-0"

NOTE 2:
ALL CORE EMBEDMENT
ARE AT 6-1/2"



NOTE 1: SIGNIFICANT BEARING AND BREAK-OUT LOADS WILL BE IMPOSED ON THE CONCRETE SLAB/CURB. THE E.O.R. OR CONCRETE ENGINEER NEEDS TO ENSURE PROPER EDGE DISTANCE, DEPTH OF CORE HOLE AND SLAB DEPTH IS AVAILABLE TO RESOLVE MOMENTS / SHEARS IMPOSED BY THE EMBEDDED WINDSCREEN STANCHION

③ WINDSCREEN ANCHOR DETAIL
ARCH REF: _____ SCALE: 1'-0"=1'-0"

Revisions By:

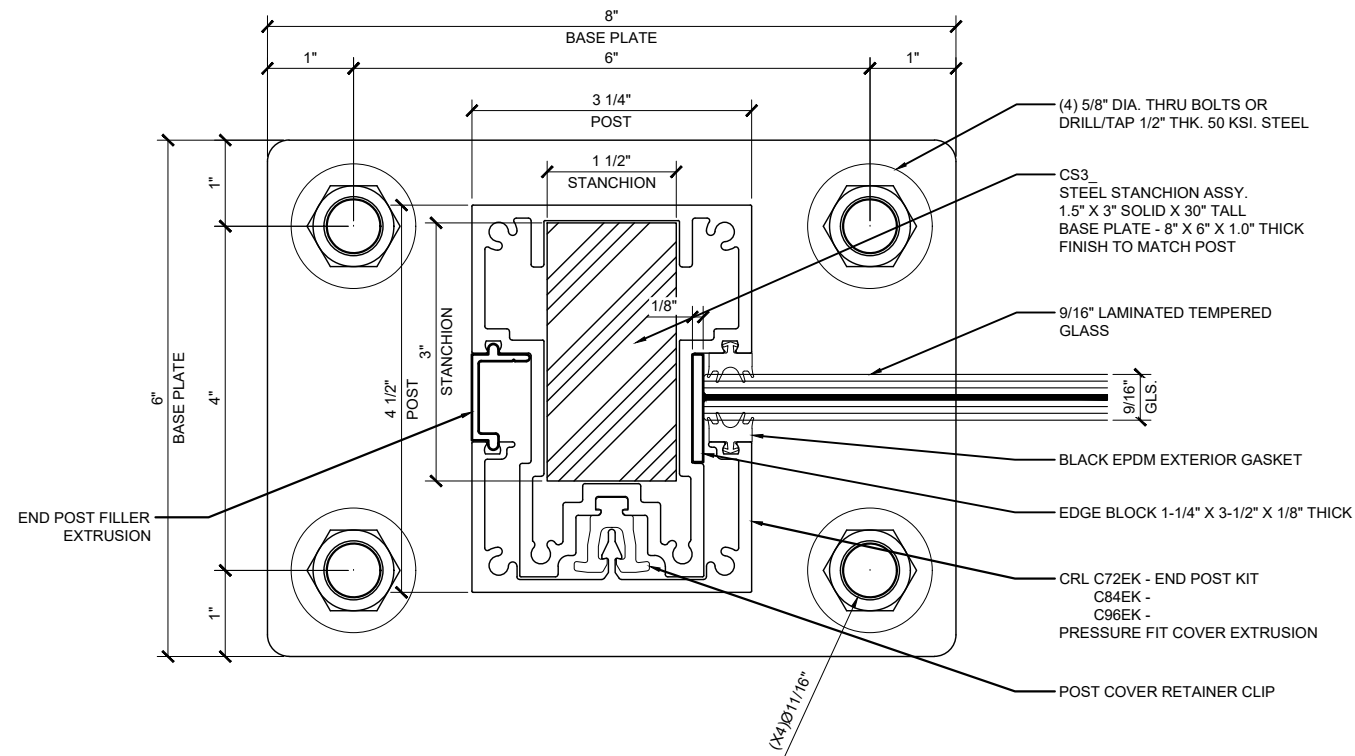


Description:
CRL CIELO
WINDSCREEN SYSTEM

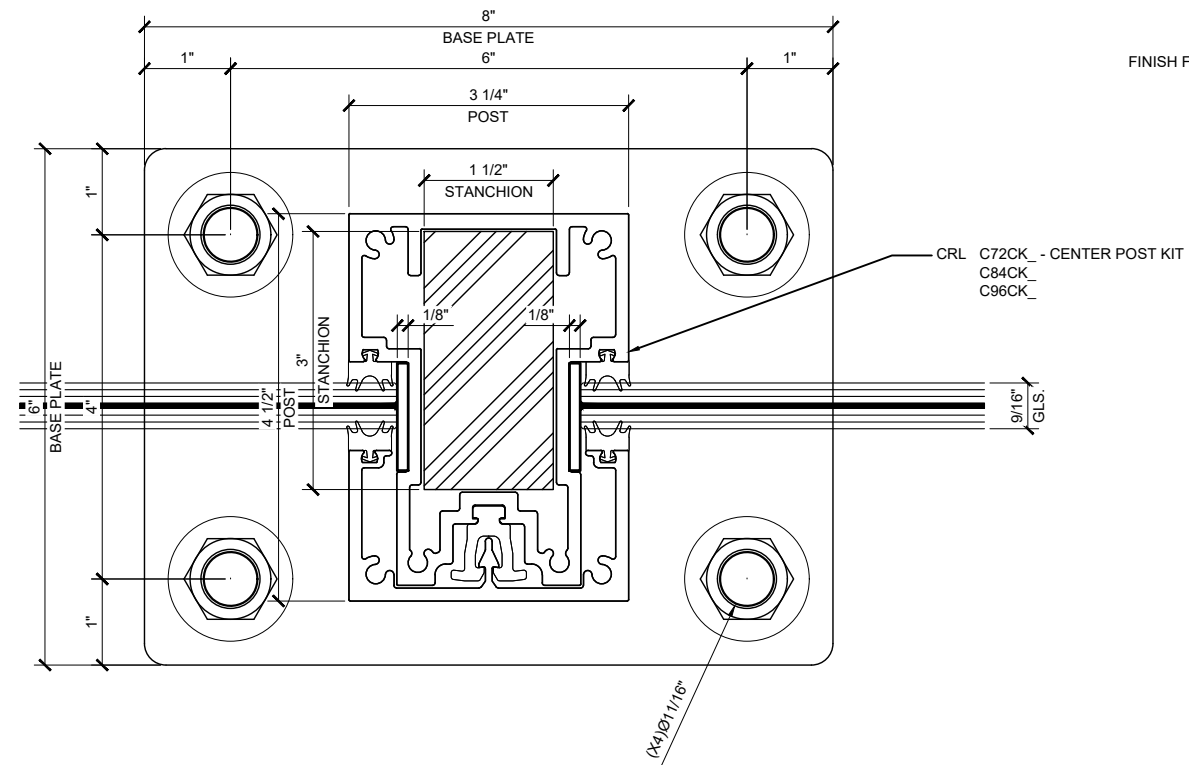
FOR 9/16" GLASS

Drawn By: AB / RPD
Date: 05/05/2021
Scale: AS NOTED
File Name:
SYS0129A_CIELO SYSTEM DRAWINGS
Sheet

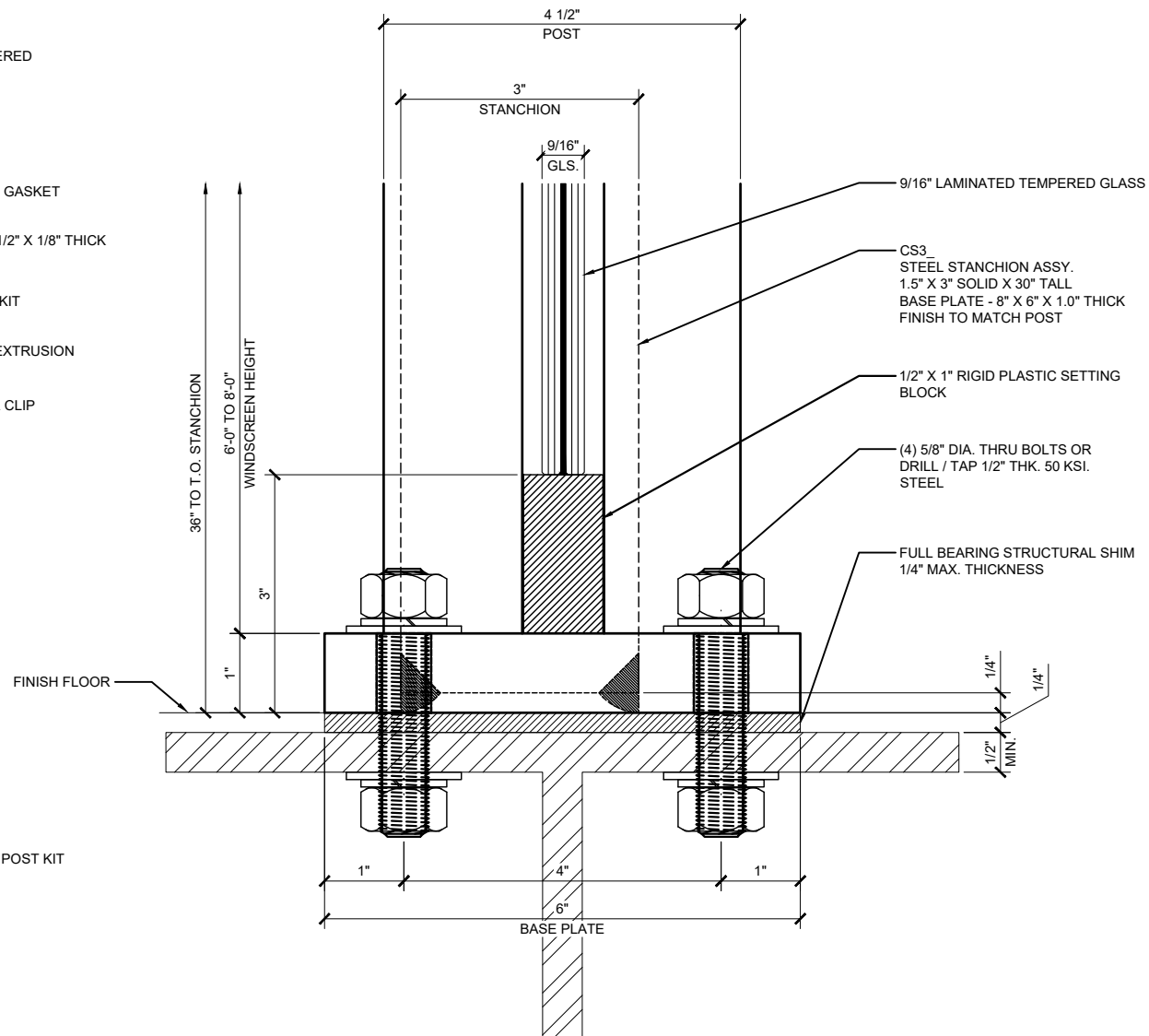
CRL CIELO WINDSCREEN SYSTEM SURFACE MOUNT_STEEL



① WINDSCREEN END POST DETAIL
ARCH REF: _____ SCALE: 1'-0"=1'-0"



② WINDSCREEN CENTER POST DETAIL
ARCH REF: _____ SCALE: 1'-0"=1'-0"



③ WINDSCREEN ANCHOR DETAIL
ARCH REF: _____ SCALE: 1'-0"=1'-0"

Revisions By:

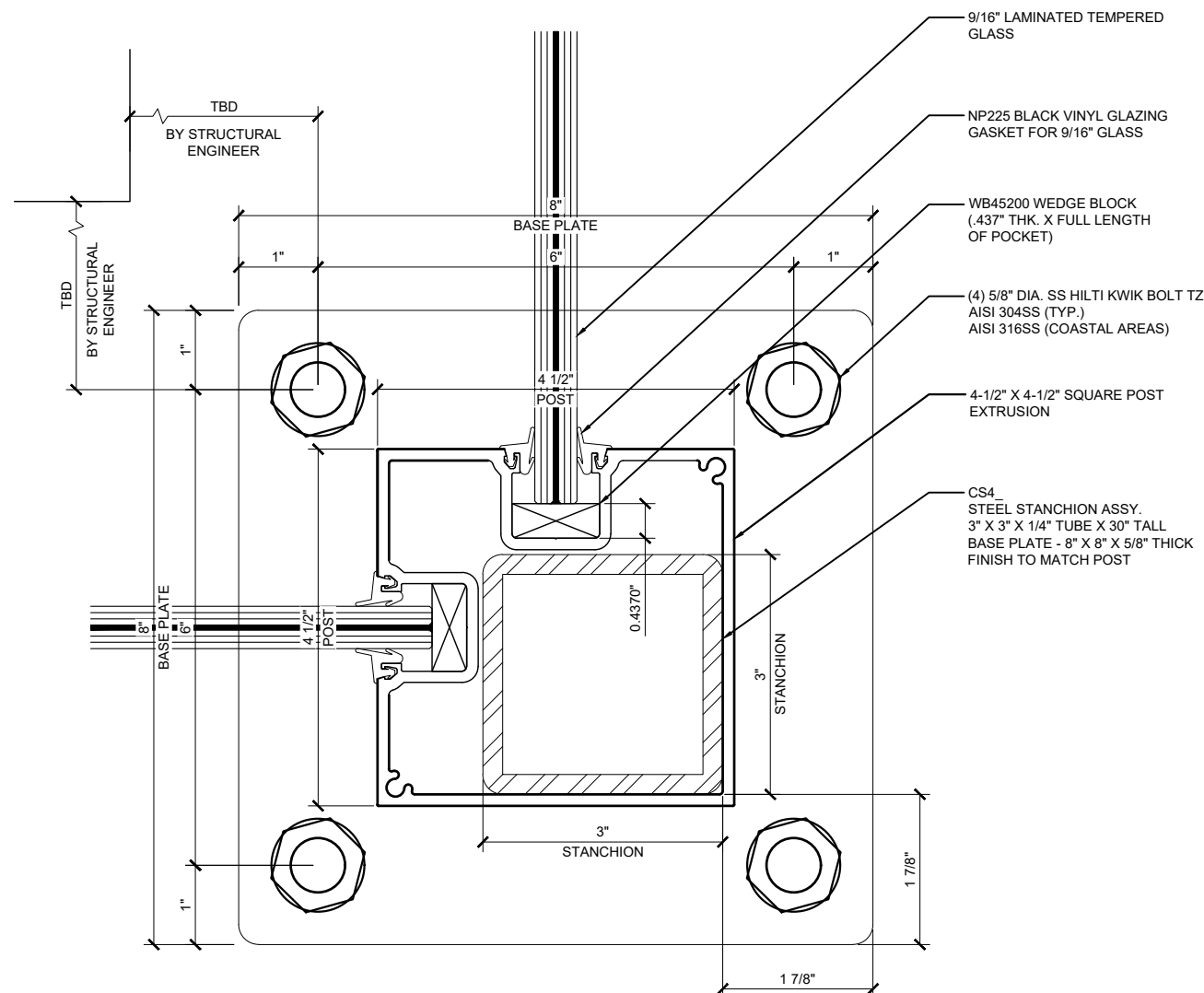
CRL
A CRH COMPANY
2603 E. Vernon Avenue, Los Angeles, CA 90058-1897
PH (800)-451-6144 FX: 800-587-7501 www.crlaurence.com

Description:
CRL CIELO
WINDSCREEN SYSTEM

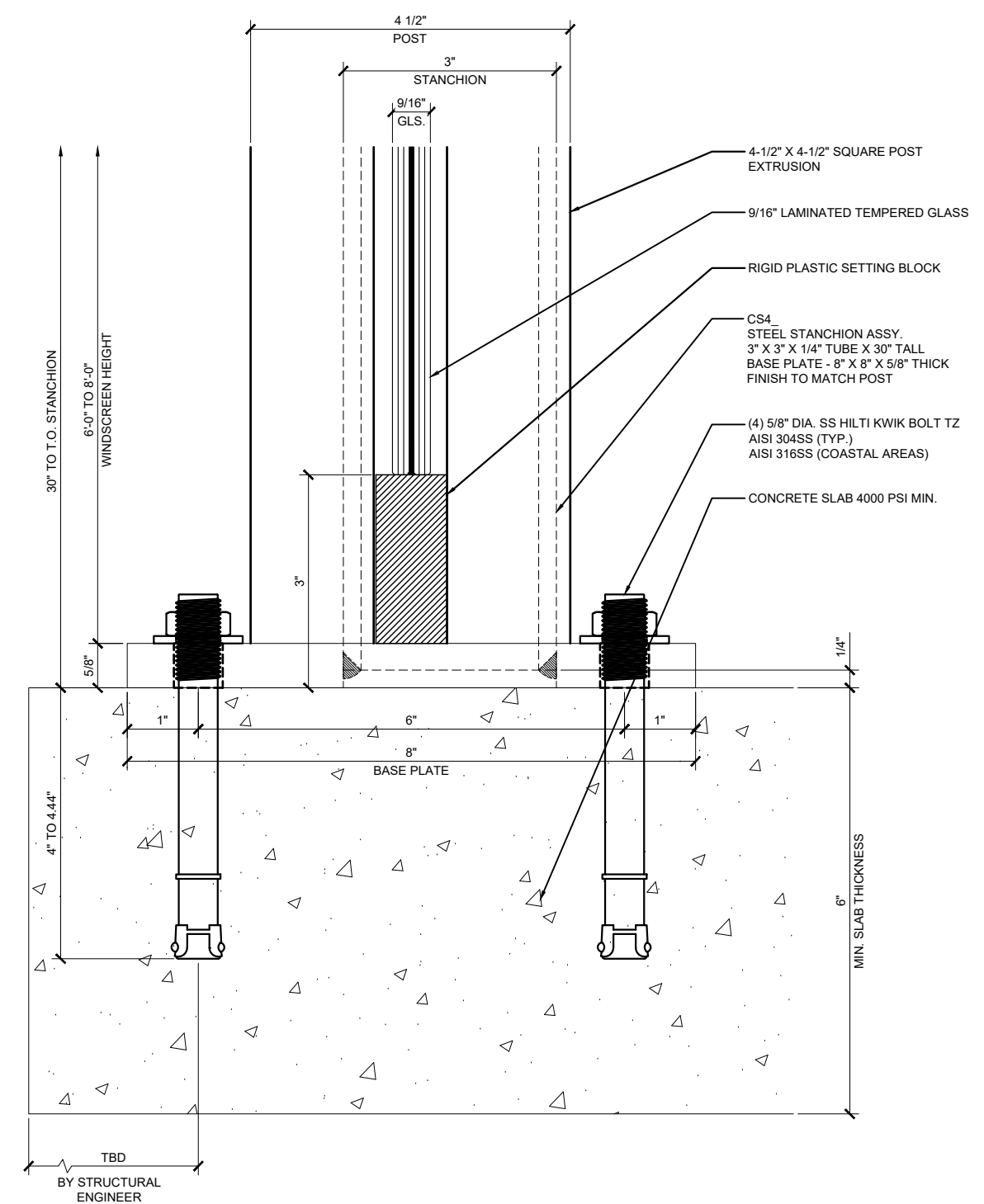
FOR 9/16" GLASS

Drawn By: AB / RPD
Date: 05/05/2021
Scale: AS NOTED
File Name:
SYS0129A_CIELO SYSTEM DRAWINGS
Sheet

CRL CIELO WINDSCREEN SYSTEM SURFACE MOUNT_CONCRETE



① WINDSCREEN CORNER POST DETAIL
ARCH REF: _____ SCALE: 1'-0"=1'-0"



② WINDSCREEN ANCHOR DETAIL
ARCH REF: _____ SCALE: 1'-0"=1'-0"

Revisions By:

CRL
A CRH COMPANY

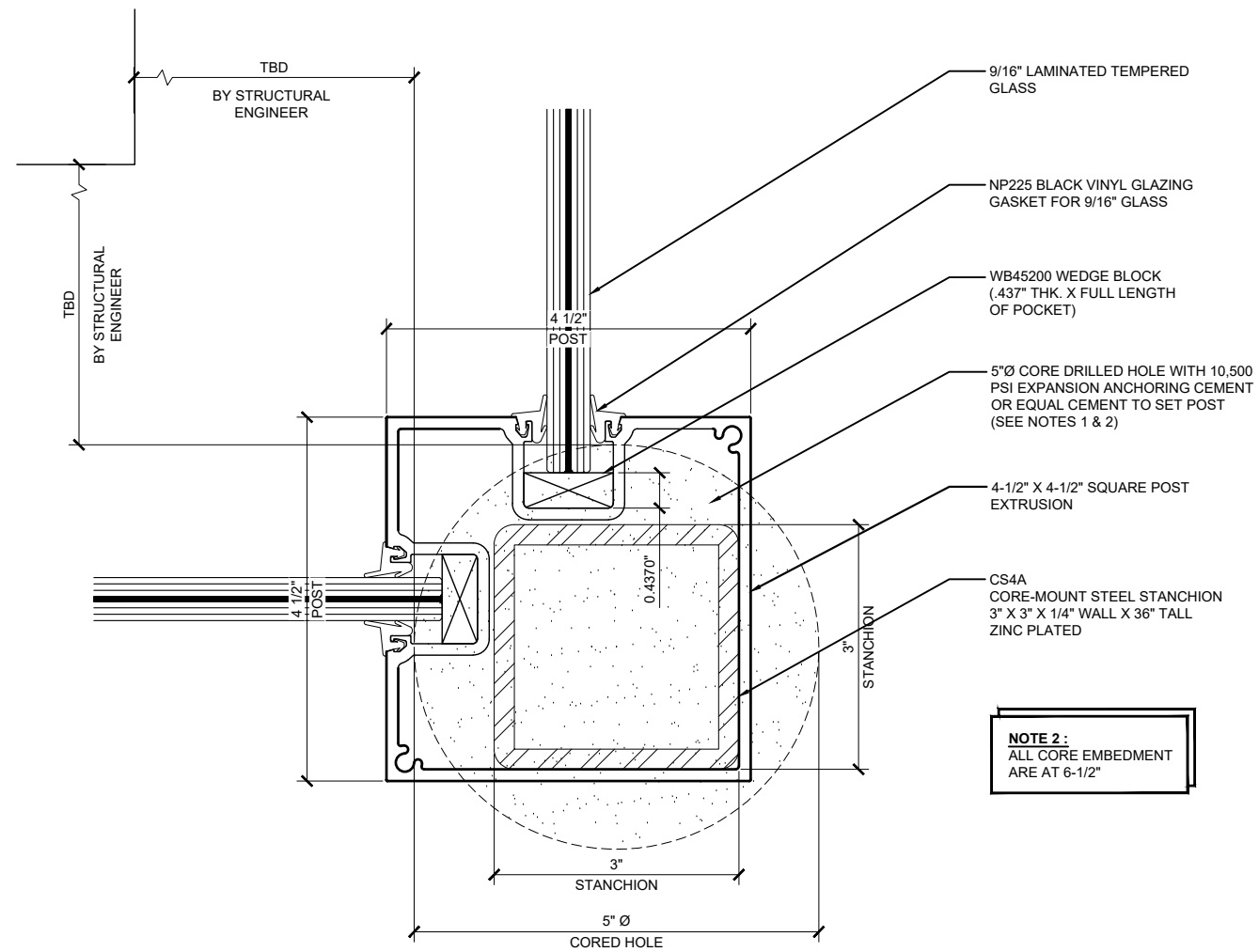
2503 E. Vernon Avenue, Los Angeles, CA 90058-1897
PH (800)-451-6144 FX 800-887-7501 www.crlaurence.com

Description:
CRL CIELO WINDSCREEN SYSTEM

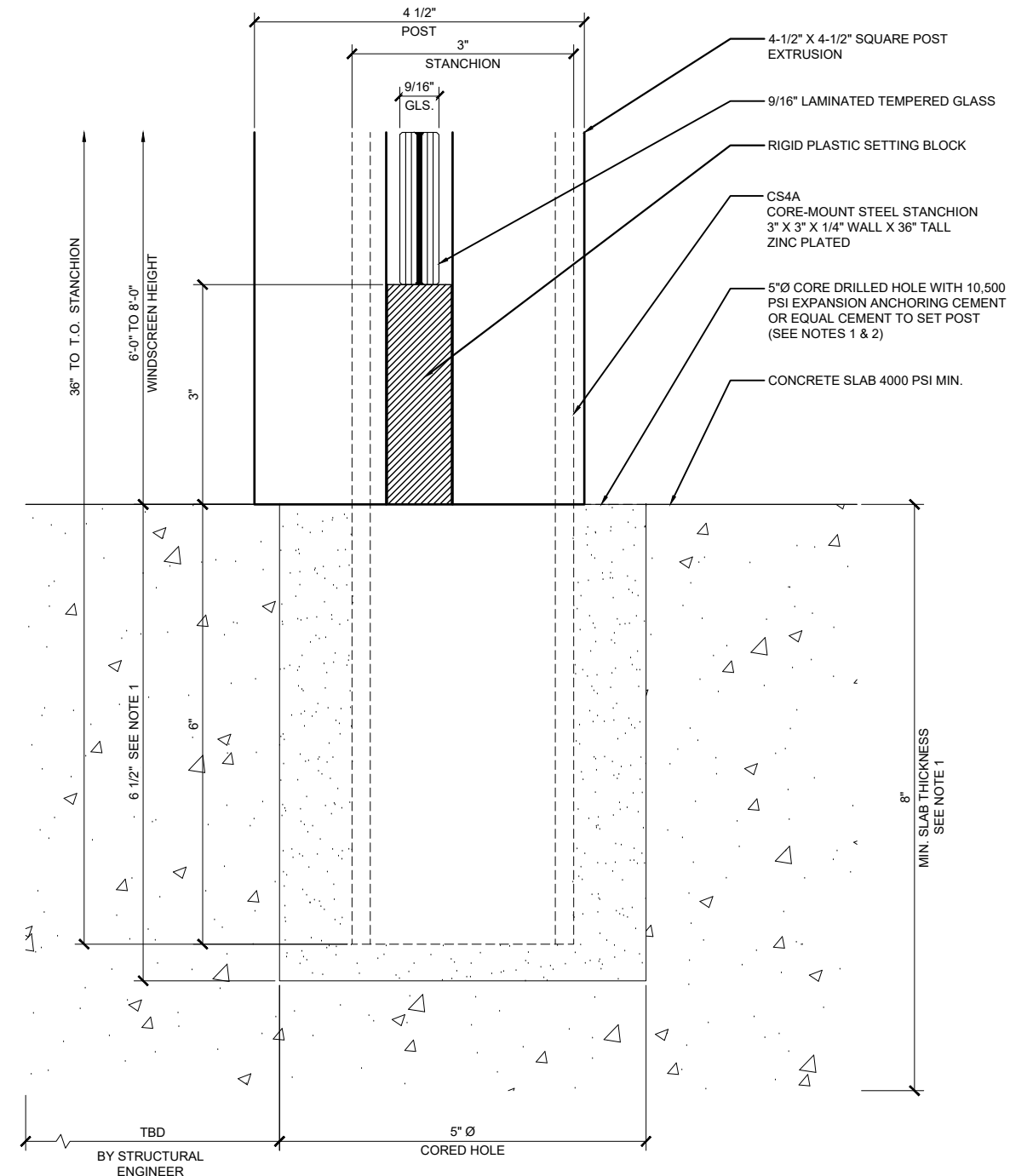
FOR 9/16" GLASS

Drawn By: AB / RPD
Date: 05/05/2021
Scale: AS NOTED
File Name: SYS0129A_CIELO SYSTEM DRAWINGS
Sheet

CRL CIELO WINDSCREEN SYSTEM CORE MOUNT_CONCRETE



① WINDSCREEN CORNER POST DETAIL
ARCH REF: _____ SCALE: 1'-0"=1'-0"



NOTE 1: SIGNIFICANT BEARING AND BREAK-OUT LOADS WILL BE IMPOSED ON THE CONCRETE SLAB / CURB. THE E.O.R. OR CONCRETE ENGINEER NEEDS TO ENSURE PROPER EDGE DISTANCE, DEPTH OF CORE HOLE AND SLAB DEPTH IS AVAILABLE TO RESOLVE MOMENTS / SHEARS IMPOSED BY THE EMBEDDED WINDSCREEN STANCHION

② WINDSCREEN ANCHOR DETAIL
ARCH REF: _____ SCALE: 1'-0"=1'-0"

Revisions By:



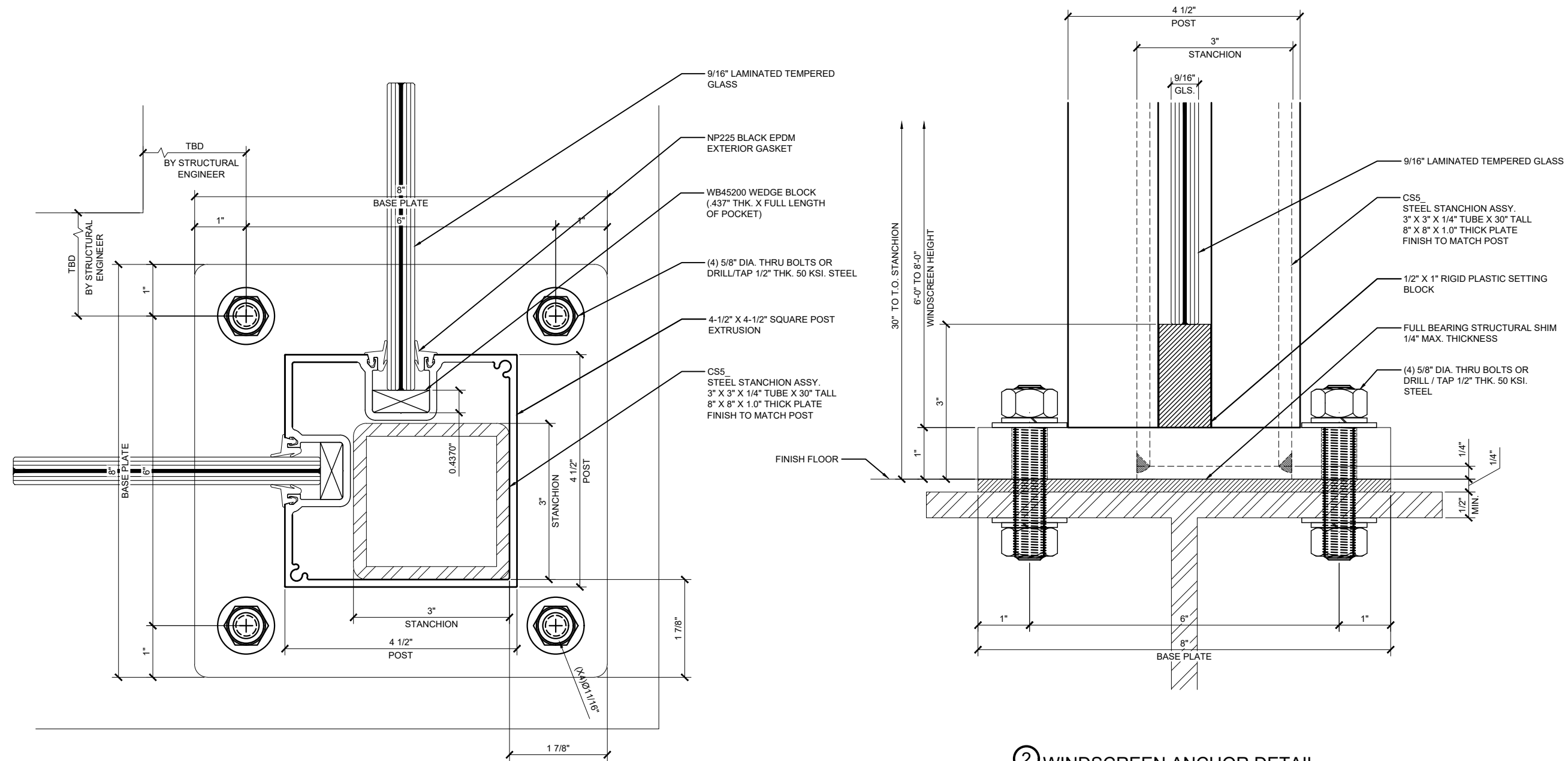
Description:
CRL CIELO WINDSCREEN SYSTEM

FOR 9/16" GLASS

Drawn By: AB / RPD
Date: 05/05/2021
Scale: AS NOTED
File Name: SYS0129A_CIELO SYSTEM DRAWINGS

Sheet

CRL CIELO WINDSCREEN SYSTEM SURFACE MOUNT_STEEL



① WINDSCREEN CORNER POST DETAIL
ARCH REF: SCALE: 1'-0"=1'-0"

② WINDSCREEN ANCHOR DETAIL
ARCH REF: SCALE: 1'-0"=1'-0"

Revisions By:

CRL
A CRH COMPANY

2603 E. Vernon Avenue, Los Angeles, CA 90058-1897
PH (800)-451-6144 FX 800-887-7501 www.crlaurence.com

Description:

CRL CIELO
WINDSCREEN SYSTEM

FOR 9/16" GLASS

Drawn By: AB / RPD

Date: 05/05/2021

Scale: AS NOTED

File Name:

SYS0129A_CIELO SYSTEM DRAWINGS

Sheet

2.07