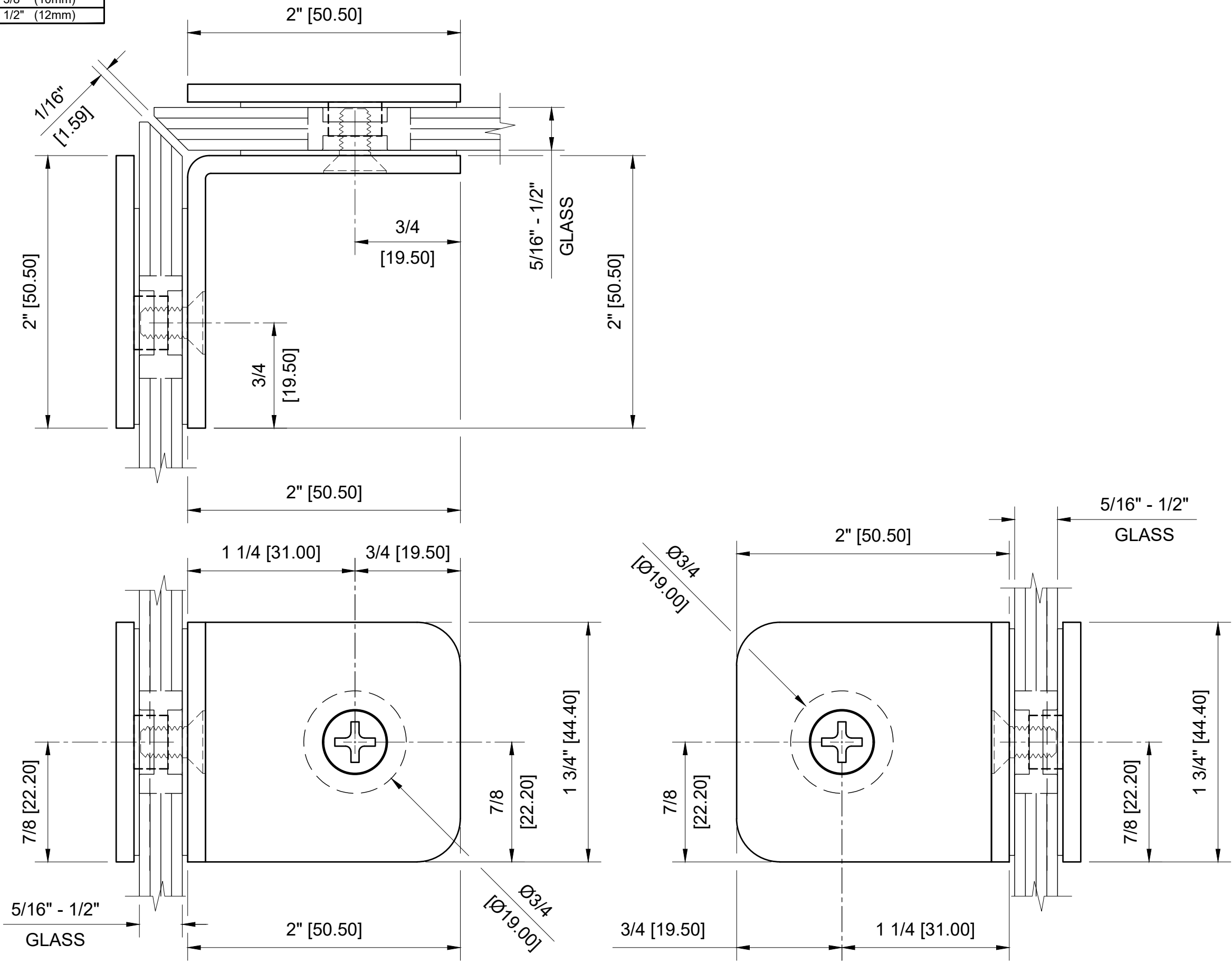


GLASS: 5/16" (8mm)  
 GLASS: 3/8" (10mm)  
 GLASS: 1/2" (12mm)



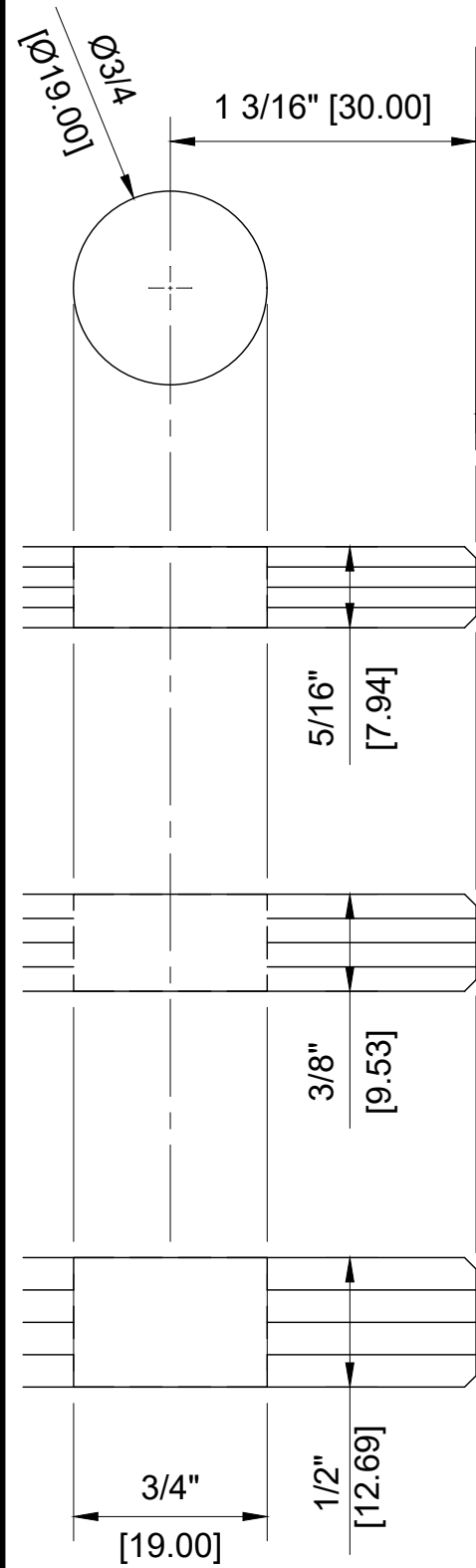
CRL - GCB91 OVERSIZED 90 DEGREE GLASS TO GLASS CLAMPS FOR 5/16" - 1/2" GLASS

DATE: 10-14-2020  
 SCALE: 1'-0"=1'-0"  
 DRAWN BY: VM

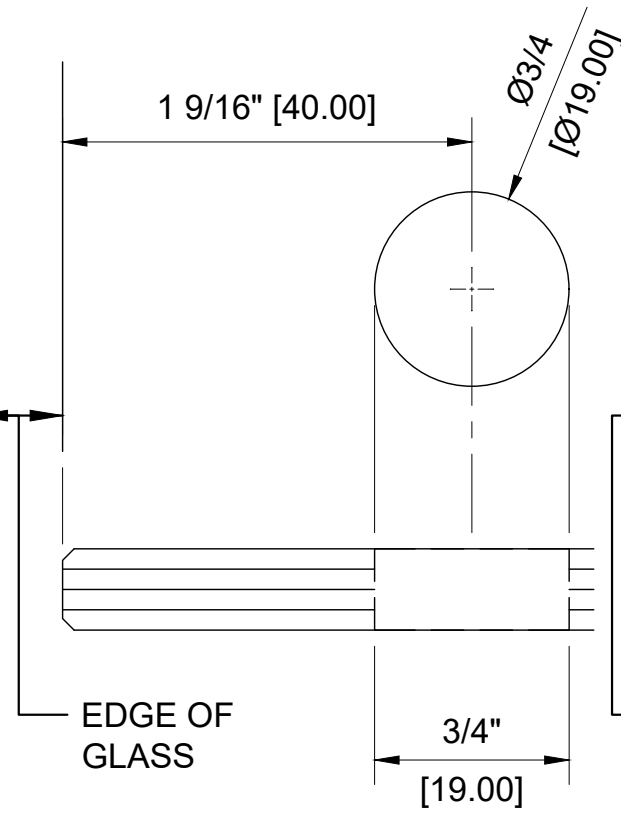
DESCRIPTION: CRL - GCB91  
 OVERSIZED 90° GLASS CLAMP

C.R. LAURENCE CO. ARCHITECTURAL PRODUCTS  
 2503 E. Vernon Avenue, Los Angeles, C.A. 90058-1897  
 PH (800)-421-6144 FX: 800-587-7501 www.crlaurence.com

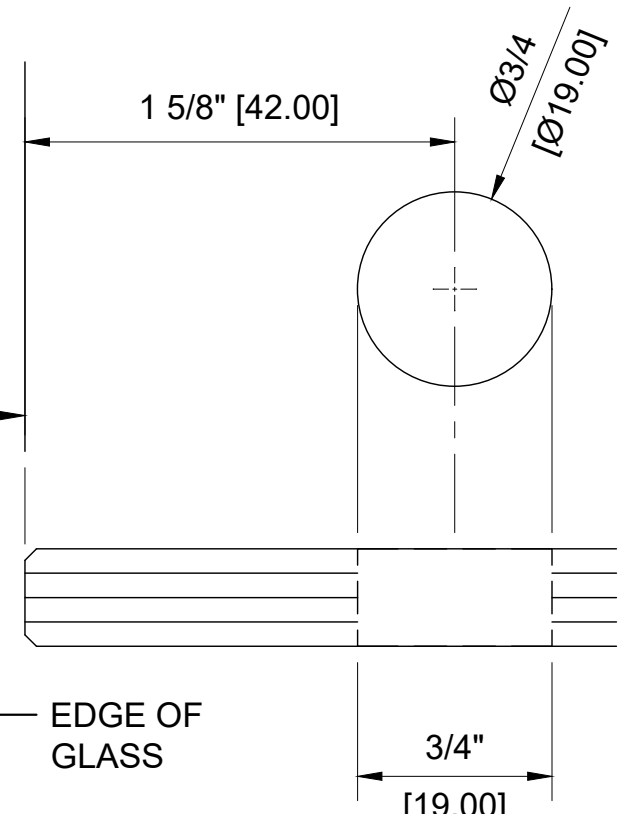




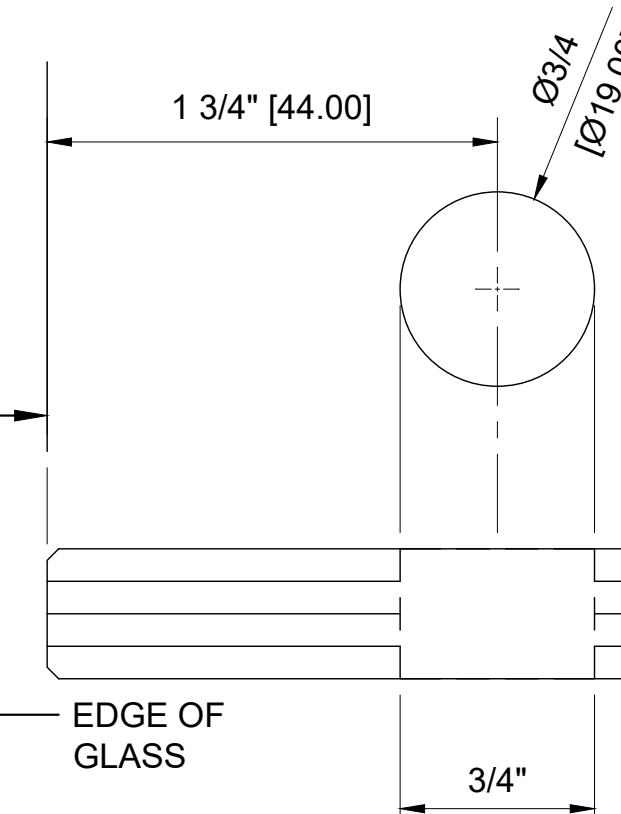
"A" - 5/16"-1/2"  
GLASS TO GLASS OVERLAP  
GLASS FABRICATION TEMPLATE



"B" - 5/16"  
GLASS TO GLASS OVERLAP  
GLASS FABRICATION TEMPLATE



"B" - 3/8"  
GLASS TO GLASS OVERLAP  
GLASS FABRICATION TEMPLATE



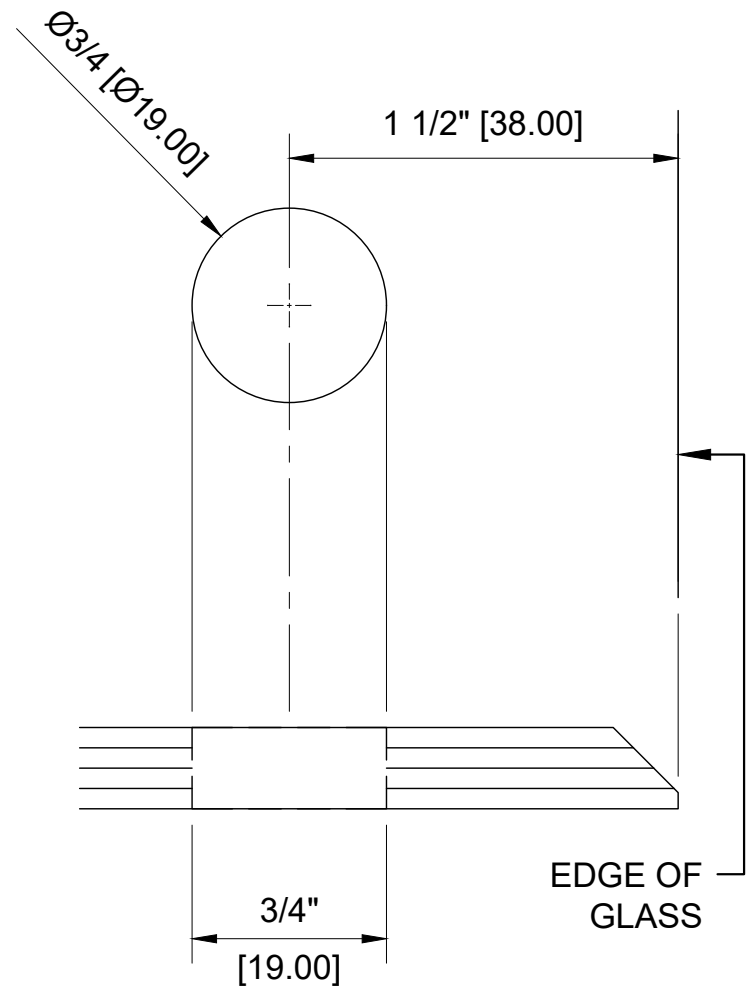
"B" - 1/2"  
GLASS TO GLASS OVERLAP  
GLASS FABRICATION TEMPLATE

DATE: 10-14-2020  
SCALE: 1'-0"=1'-0"  
DRAWN BY: VM

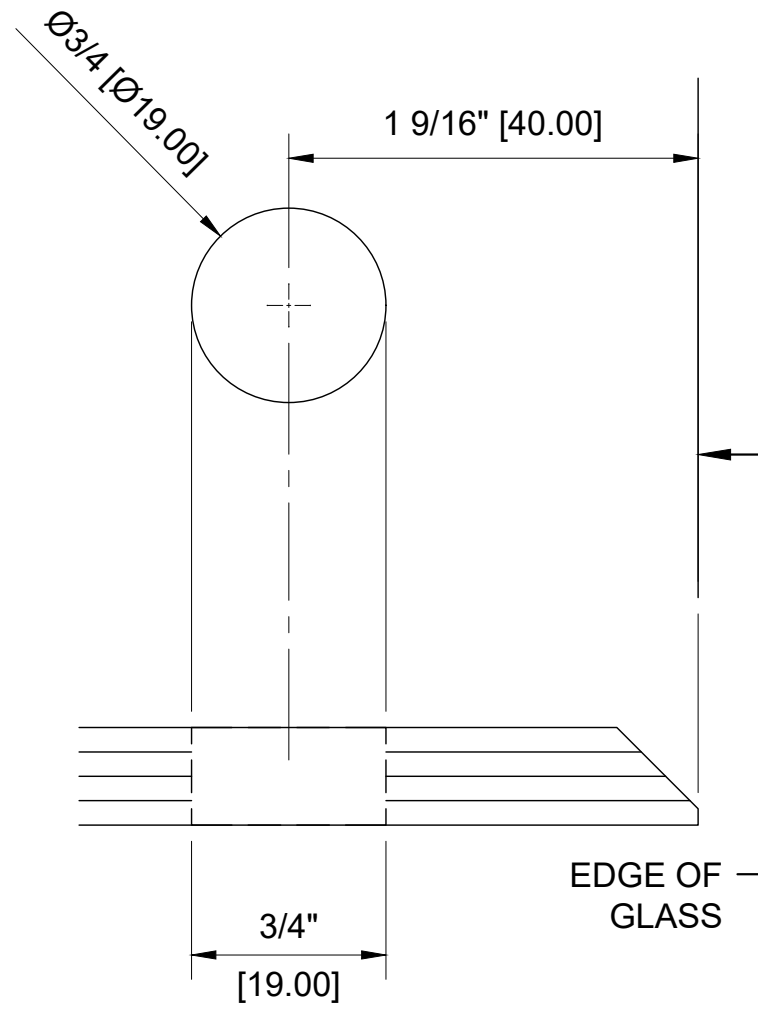
DESCRIPTION: CRL - GCB91  
OVERSIZED 90° GLASS CLAMP

C.R. LAURENCE CO. ARCHITECTURAL PRODUCTS  
2503 E. Vernon Avenue, Los Angeles, C.A 90058-1897  
PH (800)-421-6144 FX: 800-587-7501 www.crlaurence.com

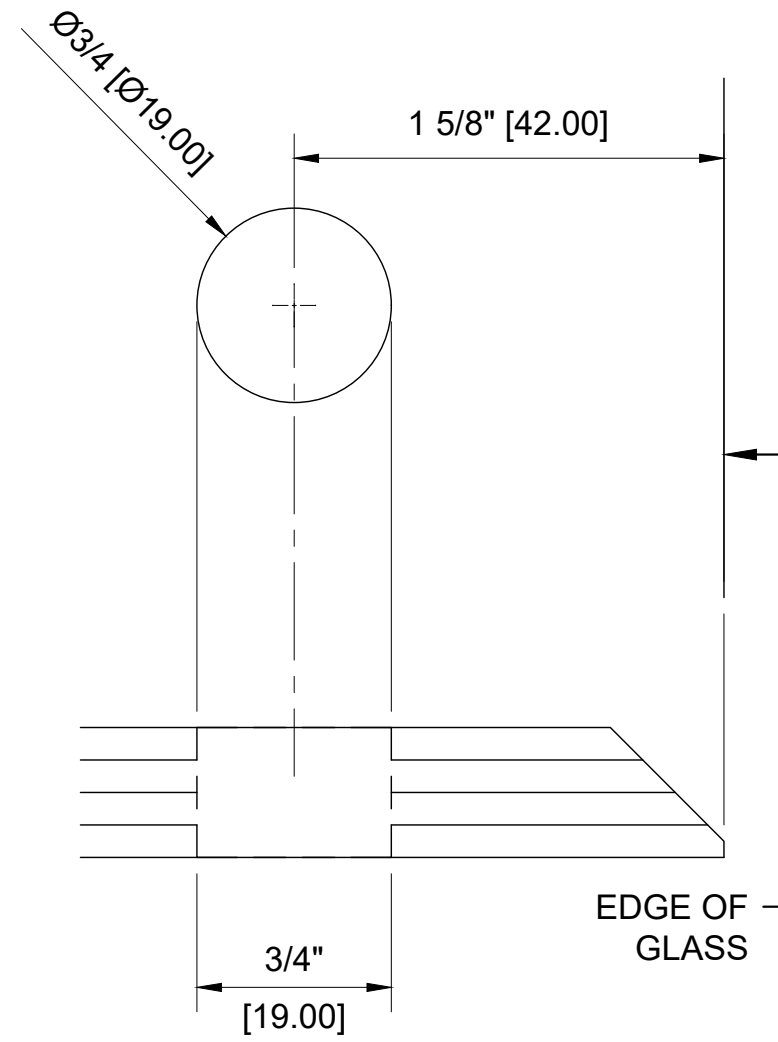




"C" - 5/16"  
GLASS TO GLASS 45° MITERED  
GLASS FABRICATION TEMPLATE



"C" - 3/8"  
GLASS TO GLASS 45° MITERED  
GLASS FABRICATION TEMPLATE



"C" - 1/2"  
GLASS TO GLASS 45° MITERED  
GLASS FABRICATION TEMPLATE

DATE: 10-14-2020  
 SCALE: 1'-0"=1'-0"  
 DRAWN BY: VM

DESCRIPTION: CRL - GCB91  
 CTS  
 OVERSIZED 90° GLASS CLAMP  
 www.crlaurence.com

C.R. LAURENCE CO. ARCHITECTURAL PRODUCTS  
 2503 E. Vernon Avenue, Los Angeles, CA 90058-1897  
 PH (800)-421-6144 FX: 800-587-7501 www.crlaurence.com

