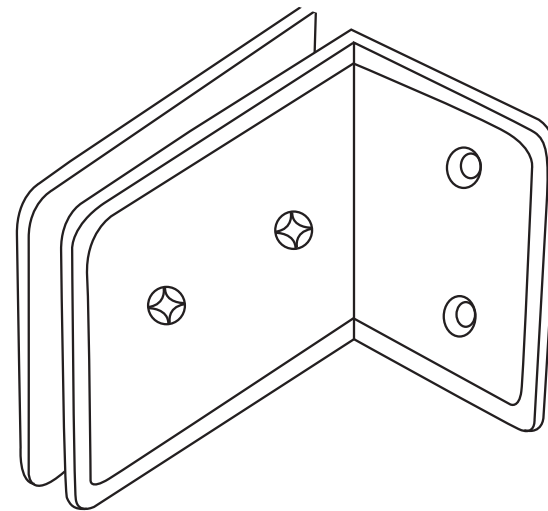


FRONT VIEW

Specifications:

Material:	Solid brass
Glass Thickness Range:	5/16" (8mm) to 3/8" (10mm)
Hole Size Required:	3/4" (19mm) and notch
Includes:	Mounting screws and gaskets



REAR VIEW

GLASS CLAMPS

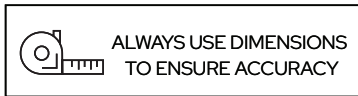
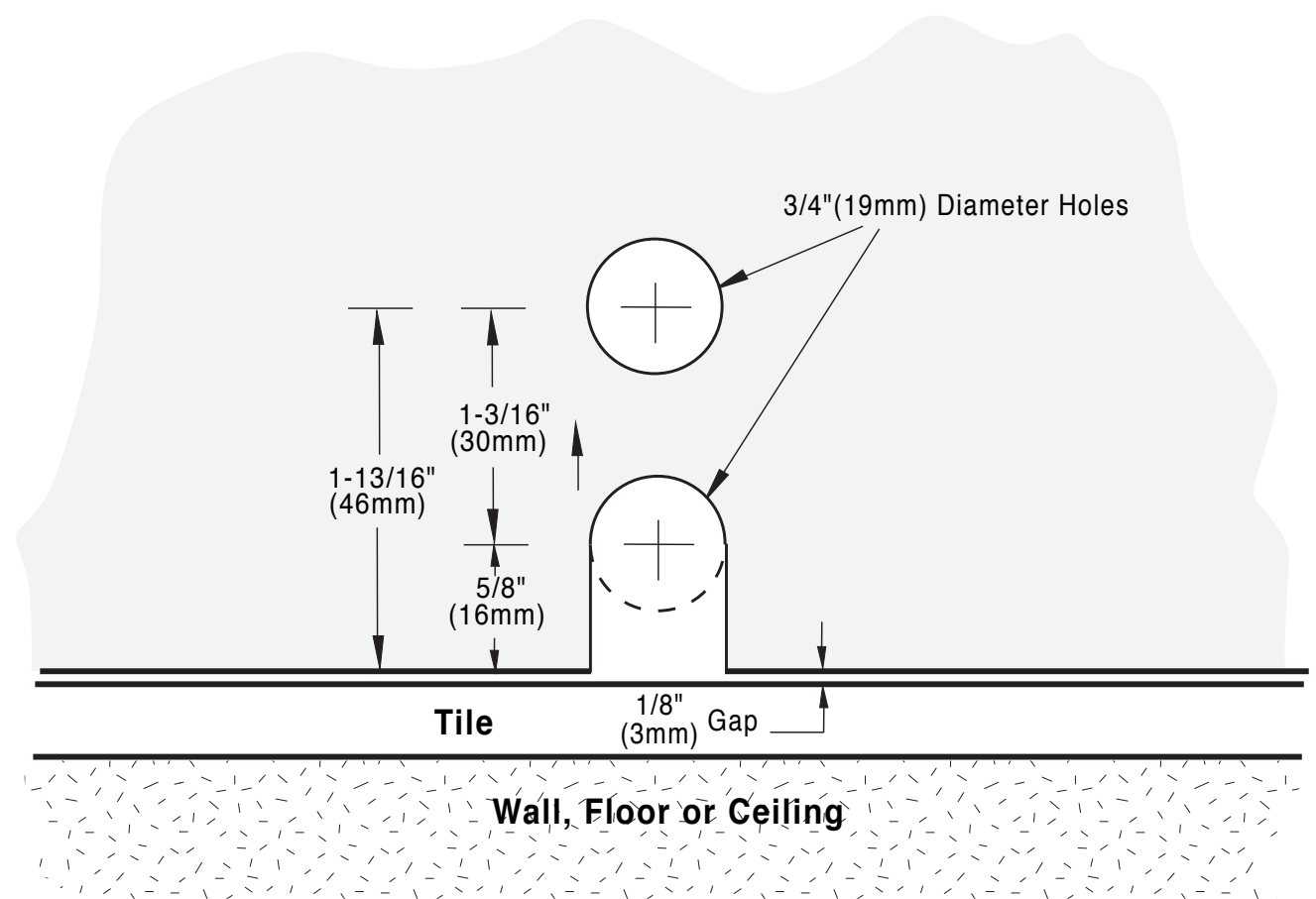
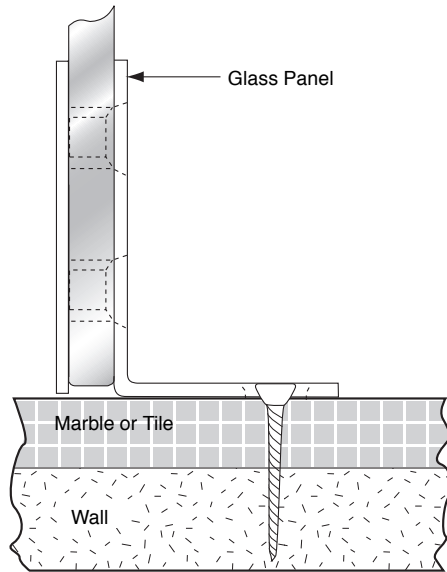
Grande Wall Bracket
CAT. NO. GR90S

***NOTE:** Do not exceed either maximum weight or width when choosing proper quantity of hinges.

Template Shown on Next Page

IMPORTANT: Project measurements from the edge of the glass.

TYPICAL INSTALLATION



GLASS CLAMPS

Grande Wall Bracket

CAT. NO. GR90S