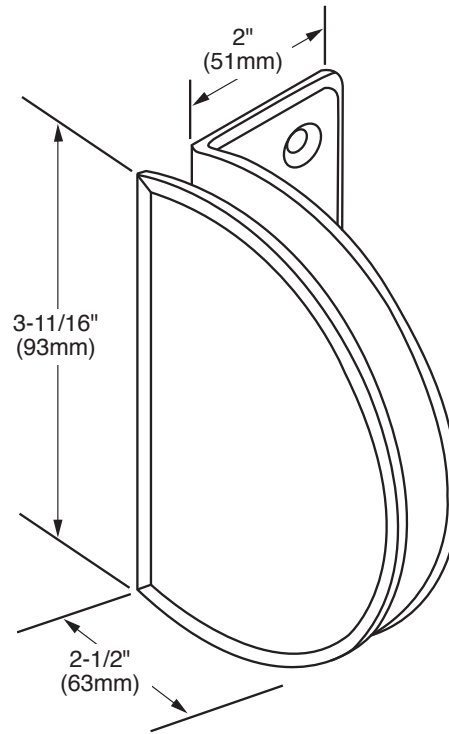
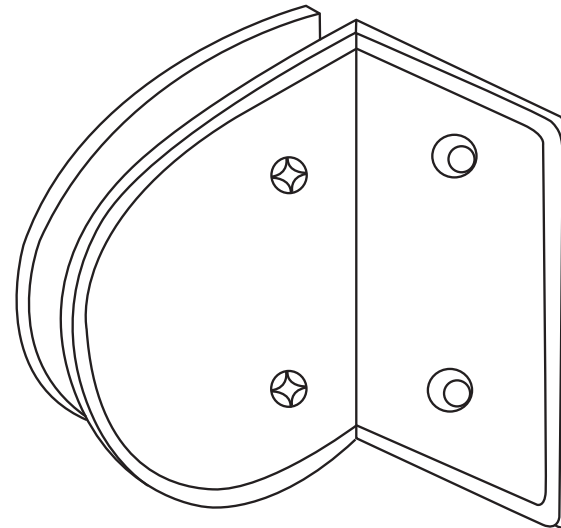


Specifications:

Material:	Solid brass
Glass Thickness Range:	5/16" (8mm) to 3/8" (10mm)
Hole Size Required:	5/8" (16mm)
Includes:	Mounting screws and gaskets



FRONT VIEW



REAR VIEW

Template Shown on Next Page

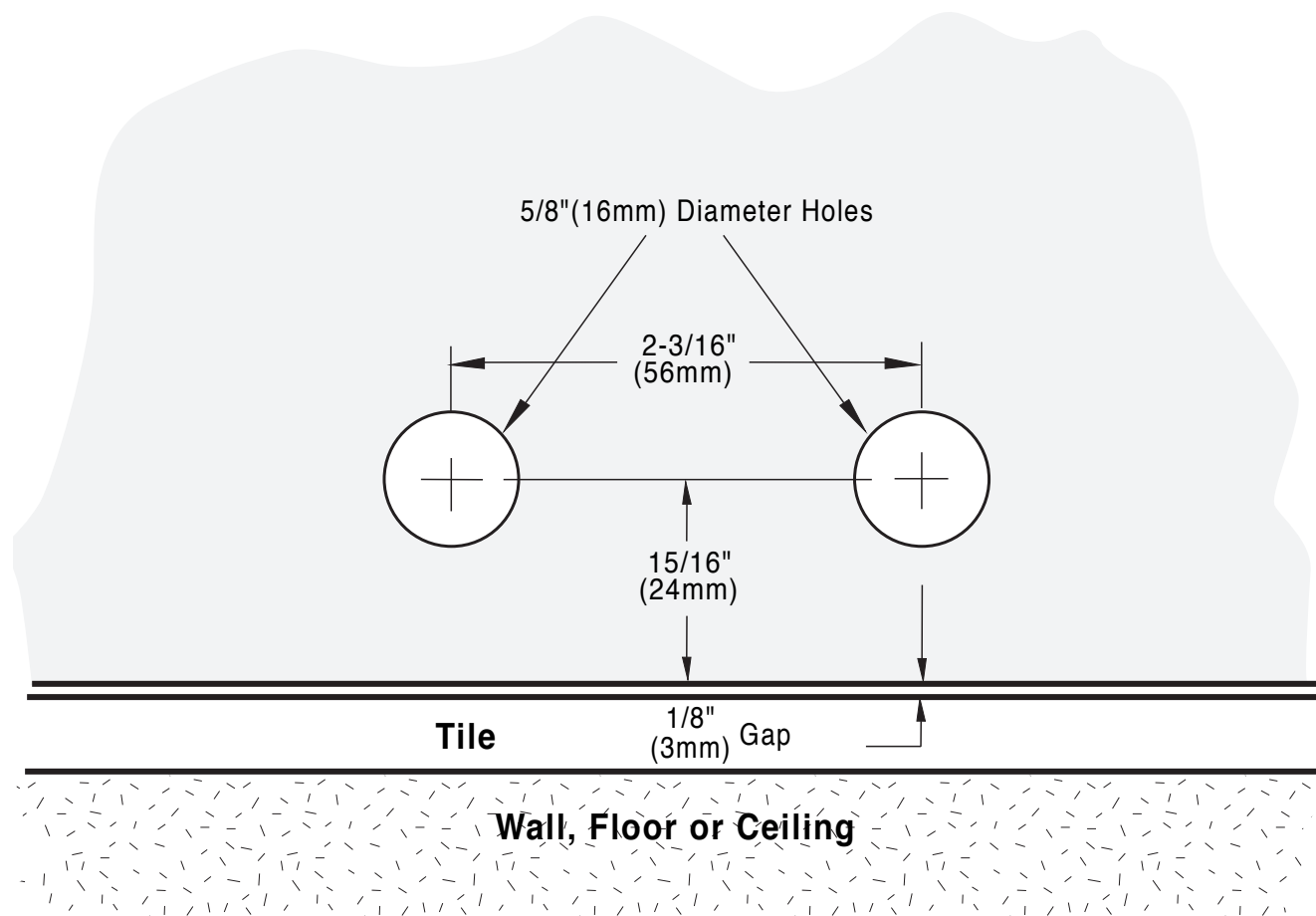
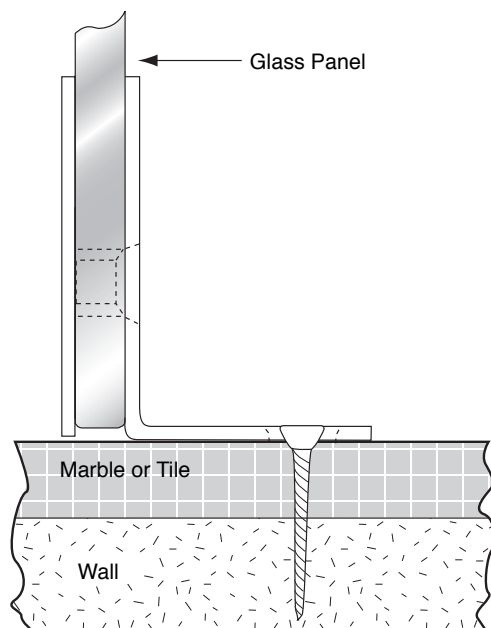
GLASS CLAMPS

Classique Wall Bracket
CAT. NO. CL90S

***NOTE:** Do not exceed either maximum weight or width when choosing proper quantity of hinges.

IMPORTANT: Project measurements from the edge of the glass.

TYPICAL INSTALLATION



ALWAYS USE DIMENSIONS
TO ENSURE ACCURACY

GLASS CLAMPS

Classique Wall Bracket

CAT. NO. CL90S