

Revisions By:

CRL

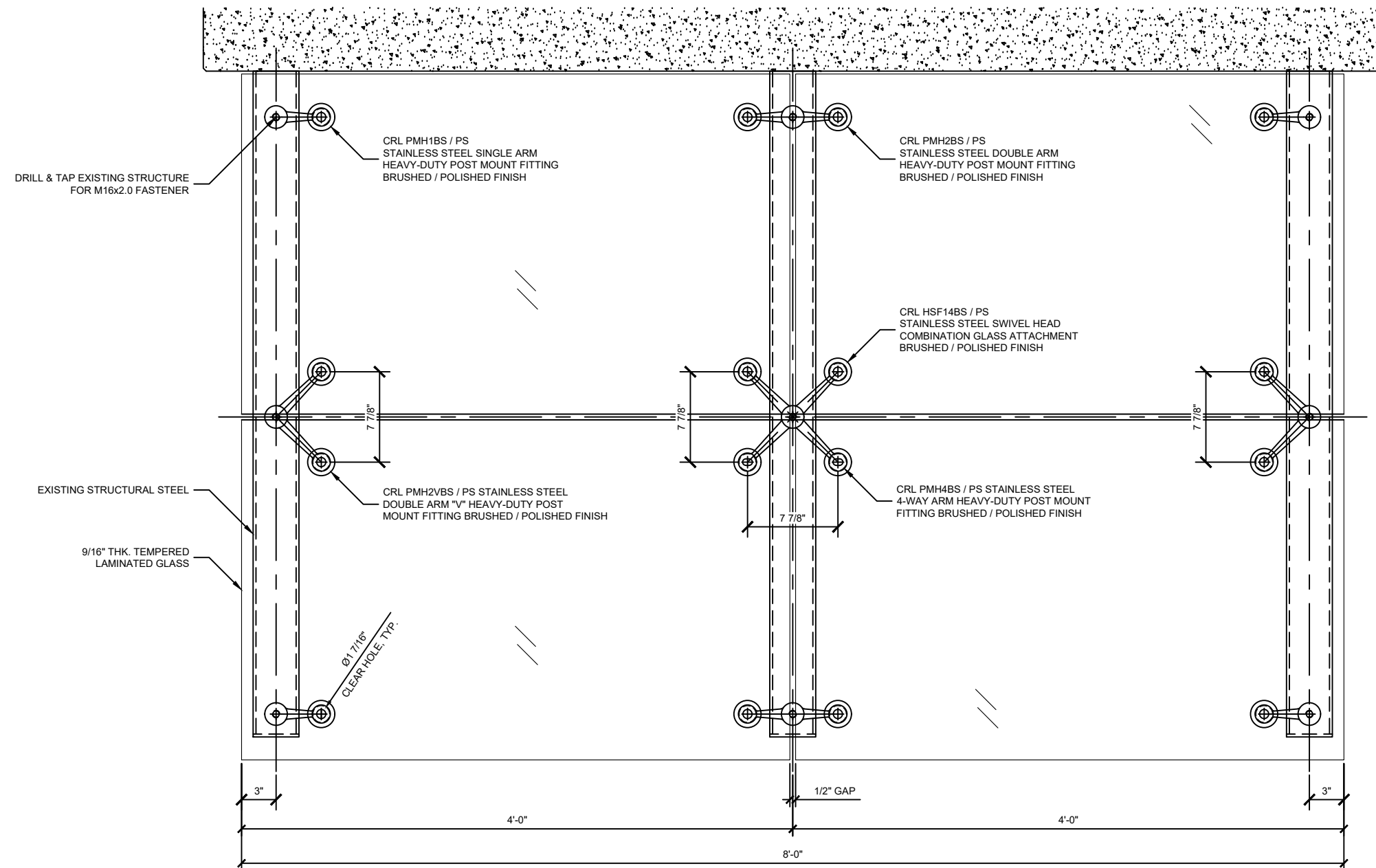
2503 E. Vernon Avenue, Los Angeles, CA 90058-1897
PH: (800)-421-8144 FX: 800-587-7501 www.crlaurence.com

Description:
CRL SPIDER FITTING
GLASS AWNING SYSTEM

Drawn By: JDO
Date: 02/13/2019
Scale: AS NOTED
File Name:
SYS0101C_SPIDER_FITTING_AWNING

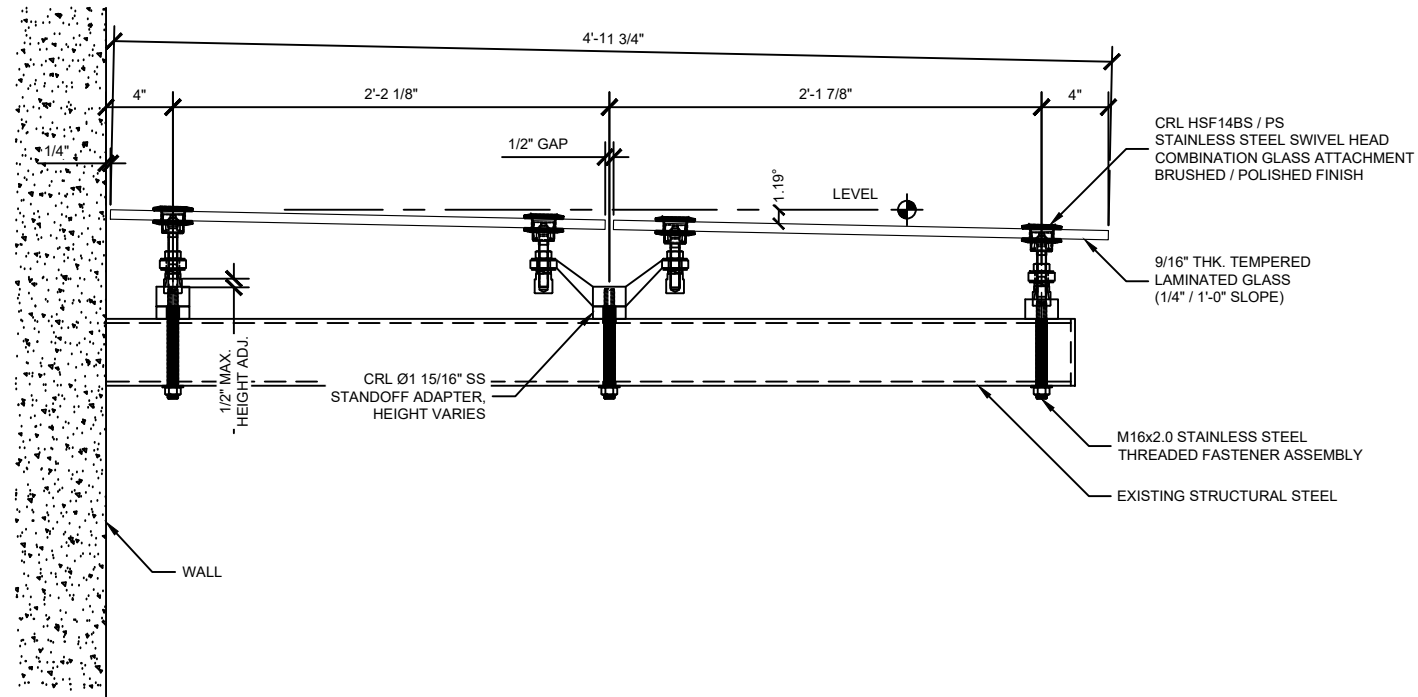
Sheet

1

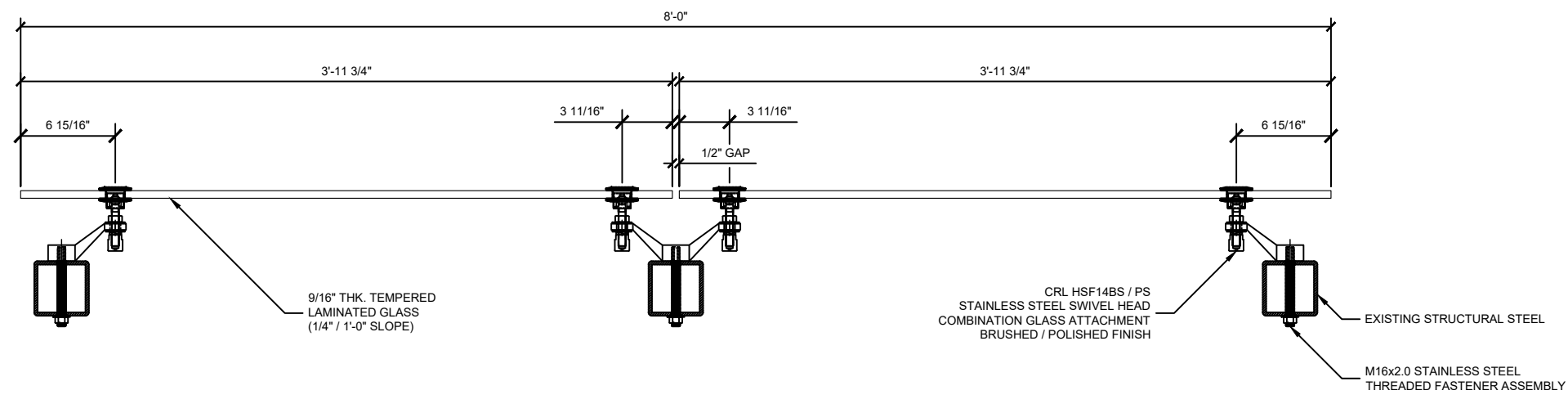


1 PLAN - TYPICAL SPIDER FITTING GLASS AWNING SYSTEM Scale: 1 : 5

STRUCTURAL DISCLAIMER:
ALL CUSTOMERS WHO IN ANY WAY UTILIZE THIS PRODUCT ARE SOLELY RESPONSIBLE TO CONSULT A STRUCTURAL ENGINEER TO DETERMINE THE SUITABILITY OF THE PRODUCT FOR THE INTENDED USE AND SITE CONDITIONS. ALL INSTALLERS MUST BE QUALIFIED AND HAVE PROFESSIONAL KNOWLEDGE ABOUT COMPLIANCE WITH LOCAL, STATE AND FEDERAL REGULATIONS, SAFETY FACTORS, AND THE APPROPRIATE CHOICE OF FIXING MATERIAL AND PROCEDURES.



1 SECTION - TYPICAL SPIDER FITTING GLASS AWNING SYSTEM
Scale: 1 : 5



2 ELEVATION - TYPICAL SPIDER FITTING GLASS AWNING SYSTEM
Scale: 1 : 5

Revisions By:

CRL

2503 E. Vernon Avenue, Los Angeles, CA 90058-1897
PH: (800)-421-8144 FX: 800-587-7501 www.crlaurence.com

Description:
CRL SPIDER FITTING
GLASS AWNING SYSTEM

Drawn By:JO

Date: 02/13/2019

Scale: AS NOTED

File Name:

SYS0101C_SPIDER_FITTING_AWNING

Sheet

2