

(This hinge requires two different templates, one for the door and one for the mitered fixed panel).

GENEVA

135° Glass-to-Glass Hinge (Adjustable)

CAT. NO. GEN345

***NOTE:** Do not exceed either maximum weight or width when choosing proper quantity of hinges.

Important Information:

1) This hinge adjusts to accommodate the desired door closing position up to 90°, after the door is installed. This is achieved by loosening the Allen set screws (located on the rear of center block), moving the door to the desired closing position, and then tightening the screws. The precise closing position has now been changed to the angle you desire.

2) The fixed panel measurements must be taken from the outside of the miter.

Specifications:

Glass Sizes:	3/8" (10mm) to 1/2" (12mm) thick tempered safety glass
Construction:	Solid brass
Closing Type:	Self-centering when within 15° of closed position
Cutout Required	
Includes:	Gaskets, screws and template

Maximum Door Capacities for Two Hinges or Three Hinges

Maximum Door Weight:	80 lbs.(36 kg)	120 lbs.(54 kg)
Maximum Door Width:	28"(711mm)	32"(813mm)

Use of Gaskets:

For 3/8" (10mm) Glass: Use one thick gasket on each side

For 1/2" (12mm) Glass: Use one thin gasket on each side

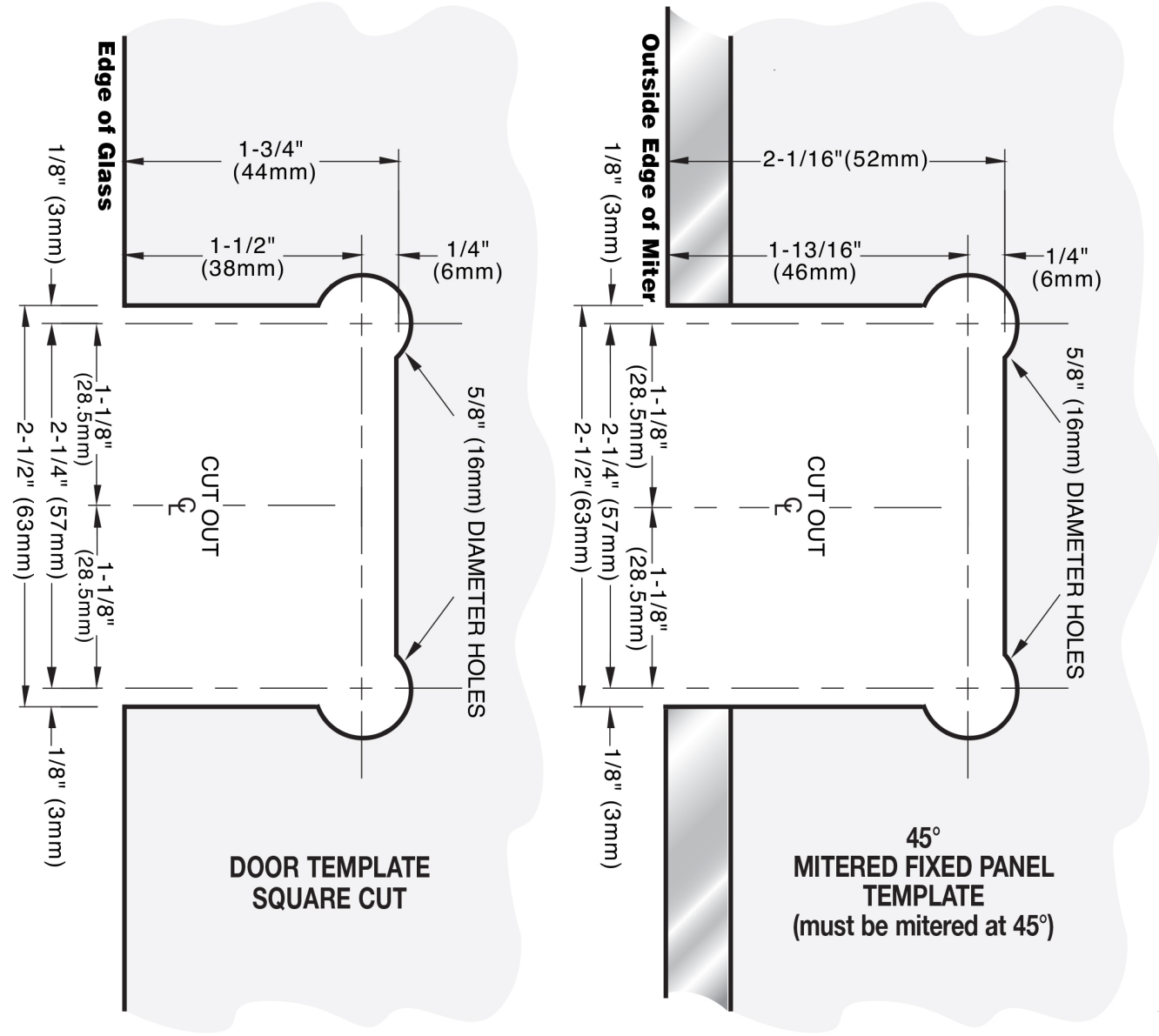
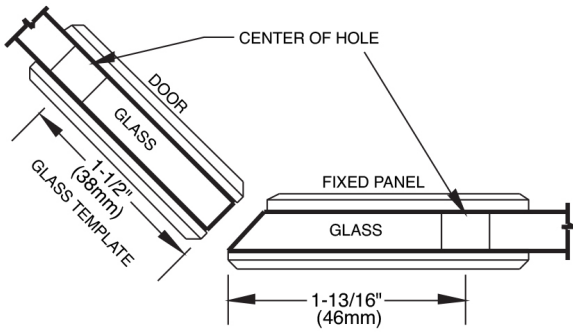
Recommendations:

For public safety, we recommend the use of only tempered safety glass. Do not use power tools when installing these hinges.

Maintenance Guidelines:

- Our hinges are greased at the factory for quiet and trouble-free operation. If there is any squeaking that occurs after installation, put a drop of "3 in 1 Oil" (also known as "household oil") on the white nylon washer that the hinge body pivots on. This washer is the component that acts as a buffer, so the body of the hinge doesn't pivot directly on the brass center block. This solution doesn't require the disassembly of the hinge. **Note: Do not use spray lubricant on these hinges.** If the hinge has been disassembled, upon re-assembly, use white lithium grease to lubricate the interior mechanism.
- Never use an abrasive cleaner on the hardware. Many of the components are coated with a clear lacquer that will be irreparably damaged if subjected to harsh, abrasive chemicals. Advise your customer that drying the hardware with a clean, soft towel on a daily basis is the best way to maintain the hardware. If mineral deposits build-up, mix a couple of drops of a mild liquid soap (such as Ivory or a similar product) into a cup of warm water. Using a soft, non-abrasive cloth, clean the hardware. Rinse thoroughly with clean, warm water and dry.

IMPORTANT: Project measurements from the edge of the glass.



 ALWAYS USE DIMENSIONS TO ENSURE ACCURACY

GENEVA
 135° Glass-to-Glass Hinge (Adjustable)
 CAT. NO. GEN345