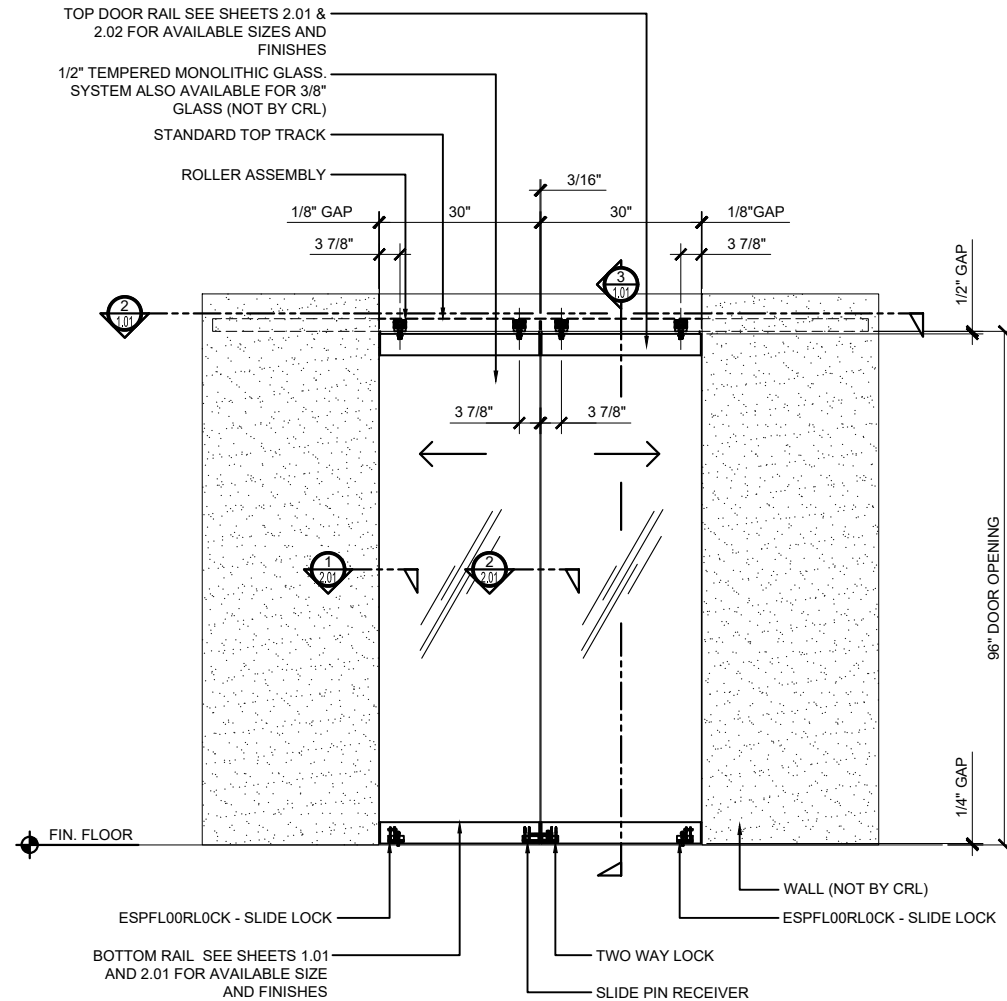


# CRL SPS SERIES - STACKING PARTITION SYSTEM

## EASY SLIDE - TWO SLIDING PANELS

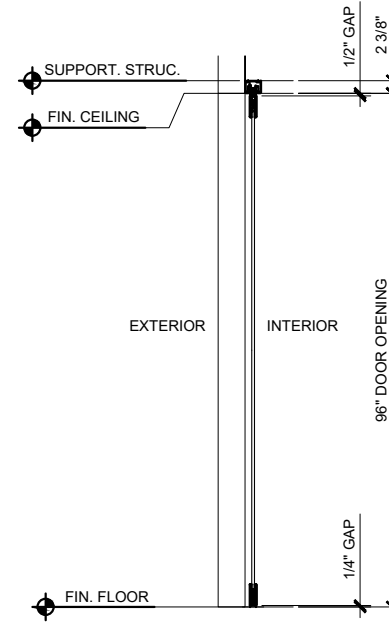
STANDARD SLIDING PANEL/DOOR (HEIGHT) GUIDELINES	
3/8" (10mm) TEMPERED GLASS = 108" RECOMMENDED MAX HEIGHT	
1/2" (12mm) TEMPERED GLASS = 108" RECOMMENDED MAX HEIGHT	
STANDARD SLIDING PANEL (WIDTH) GUIDELINES	
3/8" (10mm) TEMPERED GLASS = 21-1/4" RECOMMENDED MIN WIDTH	
1/2" (12mm) TEMPERED GLASS = 42" RECOMMENDED MAX WIDTH	
STANDARD PIVOT DOOR (WIDTH) GUIDELINES	
3/8" (10mm) TEMPERED GLASS = 21-1/4" RECOMMENDED MIN WIDTH	
1/2" (12mm) TEMPERED GLASS = 39-3/8" RECOMMENDED MAX WIDTH	

- \* AVAILABLE IN THREE HEIGHTS WITH OR WITHOUT LOCK
- \* DRY GLAZE SLENDER PROFILE DOOR RAILS ARE ONLY 1" WIDE
- \* UNIVERSAL TOP AND BOTTOM RAILS CUT INVENTORY AND MAKE ORDERING EASIER
- \* DRY GLAZING ALLOWS FOR FIELD REPLACEMENT
- \* BRUSHED OR POLISHED STAINLESS STEEL FINISHES FOR SS CLAD
- \* SATIN ANODIZED, DARK BRONZE ANODIZED FINISHES FOR ALUMINUM CLAD



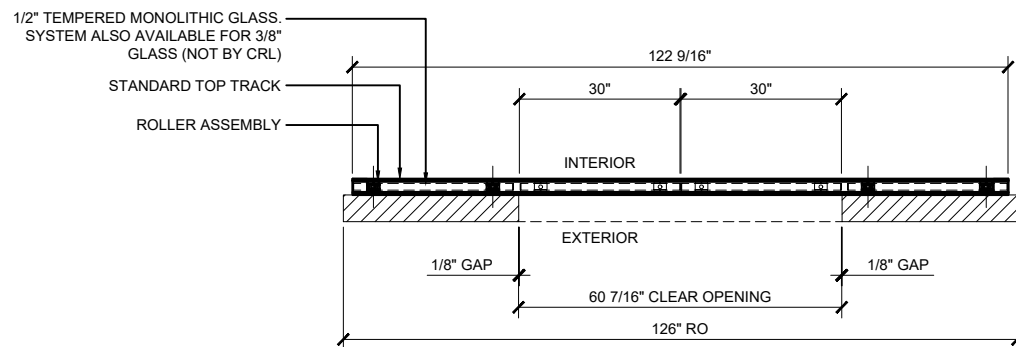
**1 ELEVATION VIEW**

ARCH REF: NONE 3/4"=1'-0"



**3 SECTION VIEW**

ARCH REF: NONE 3/4"=1'-0"



**2 FLOOR PLAN**

ARCH REF: NONE 3/4"=1'-0"

**STRUCTURAL DISCLAIMER:**

ALL CUSTOMERS WHO IN ANY WAY UTILIZE THIS PRODUCT ARE SOLELY RESPONSIBLE TO CONSULT A STRUCTURAL ENGINEER TO DETERMINE THE SUITABILITY OF THE PRODUCT FOR THE INTENDED USE AND SITE CONDITIONS. ALL INSTALLERS MUST BE QUALIFIED AND HAVE PROFESSIONAL KNOWLEDGE ABOUT COMPLIANCE WITH LOCAL, STATE AND FEDERAL REGULATIONS, SAFETY FACTORS, AND THE APPROPRIATE CHOICE OF FIXING MATERIAL AND PROCEDURES.

**STANDARD ABBREVIATIONS**

RO	ROUGH OPENING
FD	FRAME DIMENSION
DLO	DAYLIGHT OPENING
CO	CLEAR OPENING
PD	PANEL DIMENSION
DD	DOOR DIMENSION
TL	TRACK LENGTH

Revisions By:

**CRL**

2653 E. Vernon Avenue, Los Angeles, CA 90058-1987  
PH: (800)-421-4141 FX: 800-597-7501 www.crlusa.com

Description:

CRL SPS STACKING PARTITION SYSTEM EASY SLIDE

FOR 1/2" & 3/8" GLASS

Drawn By: TGM

Date: 01/30/2019

Scale: AS NOTED

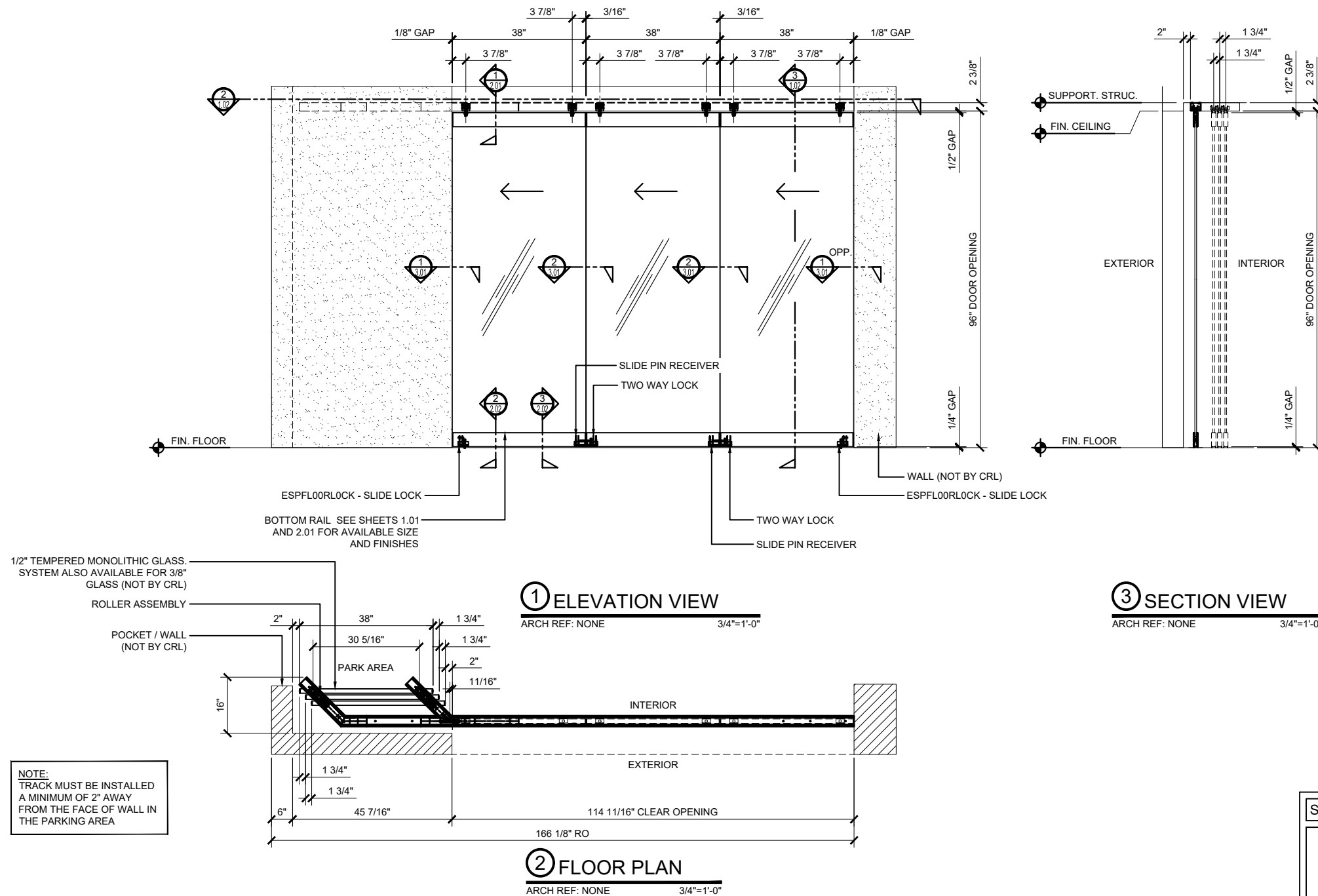
File Name:

SPS\_Easy\_Slide\_Stck\_Partn\_Sys.dwg

Sheet

1.01

# CRL SPS SERIES - STACKING PARTITION SYSTEM EASY SLIDE - PARALLEL PARKING CONFIGURATION



Revisions By:

# CRL

2653 E. Vernon Avenue, Los Angeles, CA 90058-1987  
PH: (800)-421-0144 FX: 800-597-7501 www.crlusa.com

Description:  
CRL SPS STACKING  
PARTITION SYSTEM  
EASY SLIDE  
FOR 1/2" & 3/8" GLASS

Drawn By: GJM

Date: 01/30/2019

Scale: AS NOTED

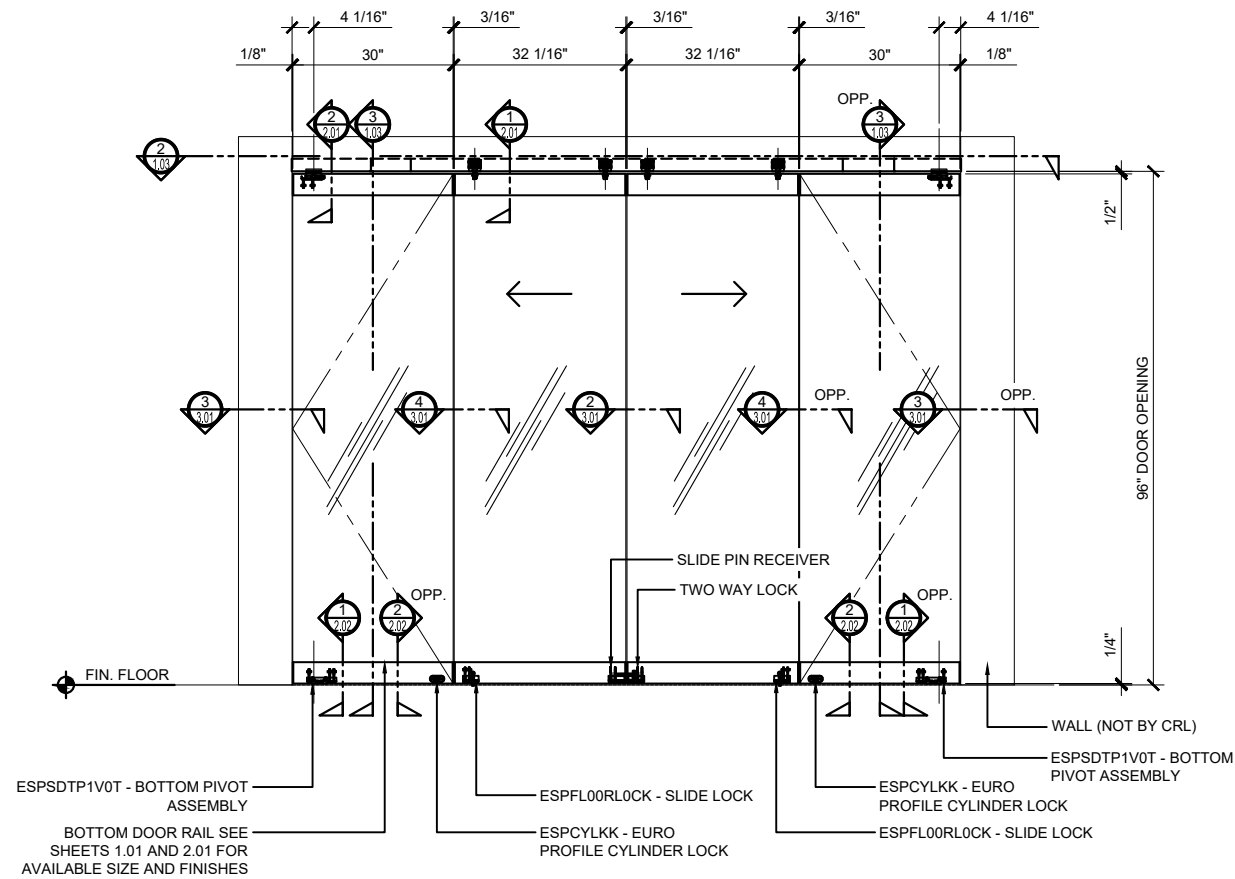
File Name:

SPS\_Easy\_Slide\_Stck\_Partn\_Sys.dwg

Sheet

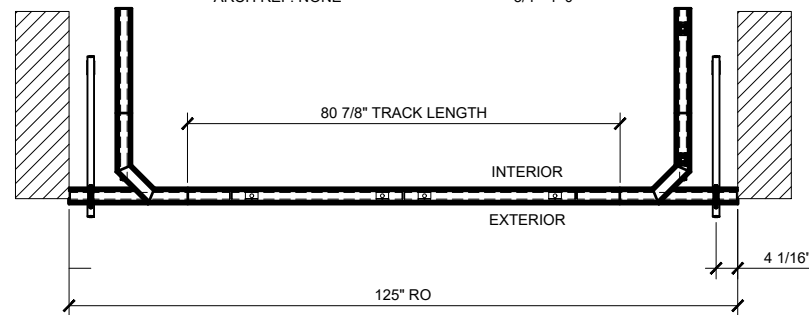
1.02

**CRL SPS SERIES - STACKING PARTITION SYSTEM  
EASY SLIDE - BI-PARKING PIVOT CONFIGURATION**



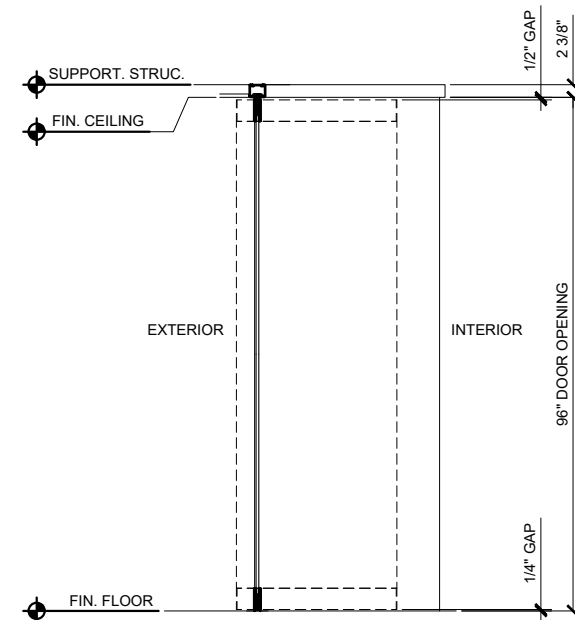
**① ELEVATION VIEW**

ARCH REF: NONE 3/4"=1'-0"



**② FLOOR PLAN**

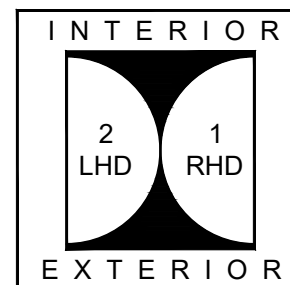
ARCH REF: NONE 3/4"=1'-0"



**③ SECTION VIEW**

ARCH REF: NONE 3/4"=1'-0"

**DOOR SWING CHART**



STANDARD ABBREVIATIONS	
RO	ROUGH OPENING
FD	FRAME DIMENSION
DLO	DAYLIGHT OPENING
CO	CLEAR OPENING
PD	PANEL DIMENSION
DD	DOOR DIMENSION
TL	TRACK LENGTH

Revisions By:

**CRL.**

2653 E. Vernon Avenue, Los Angeles, CA 90058-1887  
PH: (800)-421-0144 FX: 800-597-7501 www.crlusa.com

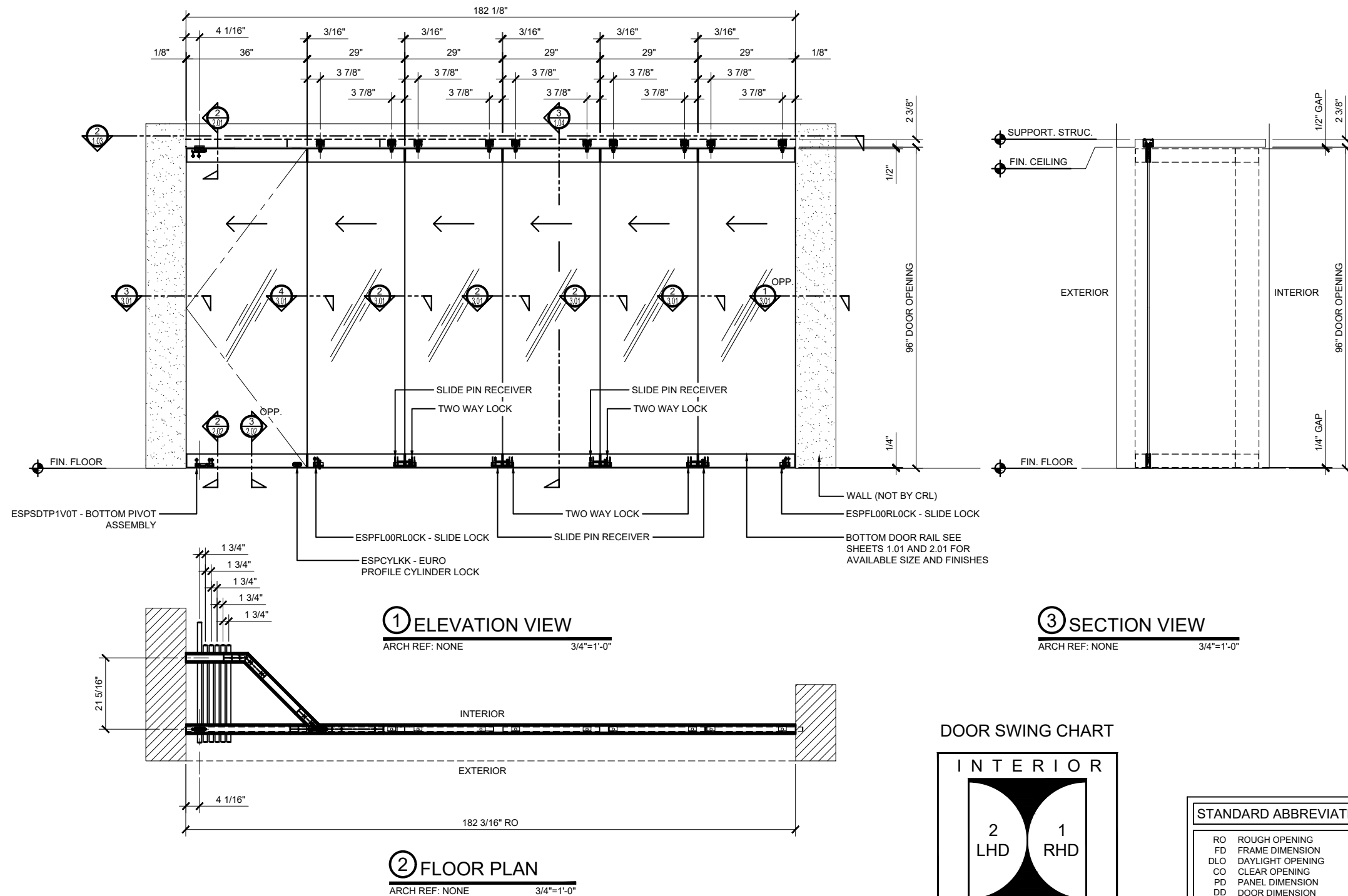
Description:  
CRL SPS STACKING  
PARTITION SYSTEM  
EASY SLIDE  
FOR 1/2" & 3/8" GLASS

Drawn By: TGM  
Date: 01/30/2019  
Scale: AS NOTED  
File Name:  
SPS\_Easy\_Slide\_Stck\_Partn\_Sys.dwg

Sheet

1.03

**CRL SPS SERIES - STACKING PARTITION SYSTEM**  
**EASY SLIDE - PERPENDICULAR PIVOT CONFIGURATION**



Revisions By:

**CRL.**

2653 E. Vernon Avenue, Los Angeles, CA 90058-1987  
 PH: (800)-421-0144 FX: 800-597-7501 www.crlusa.com

Description:  
 CRL SPS STACKING  
 PARTITION SYSTEM  
 EASY SLIDE  
 FOR 1/2" & 3/8" GLASS

Drawn By: TGM

Date: 01/30/2019

Scale: AS NOTED

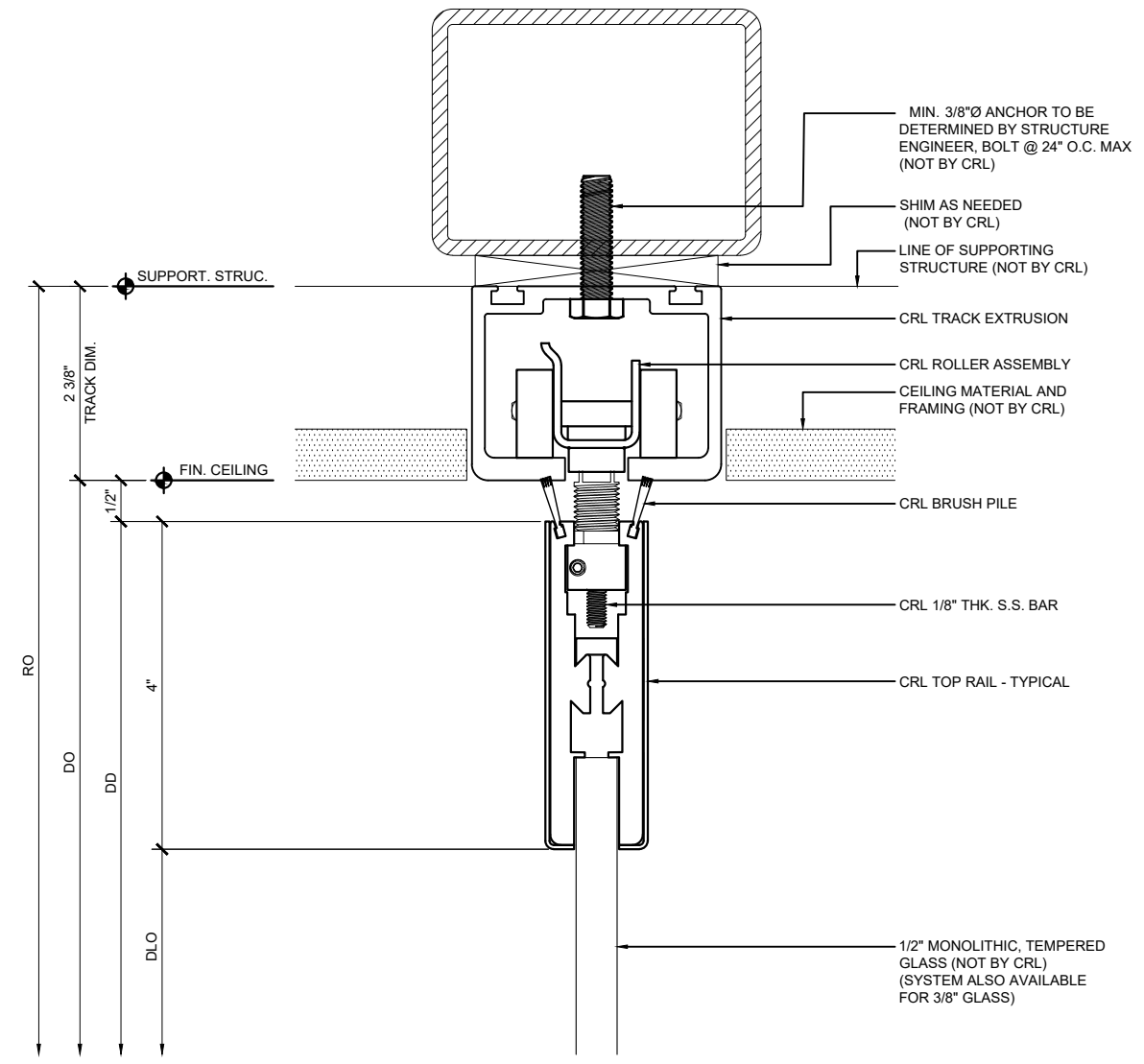
File Name:

SPS\_Easy\_Slide\_Stck\_Partn\_Sys.dwg

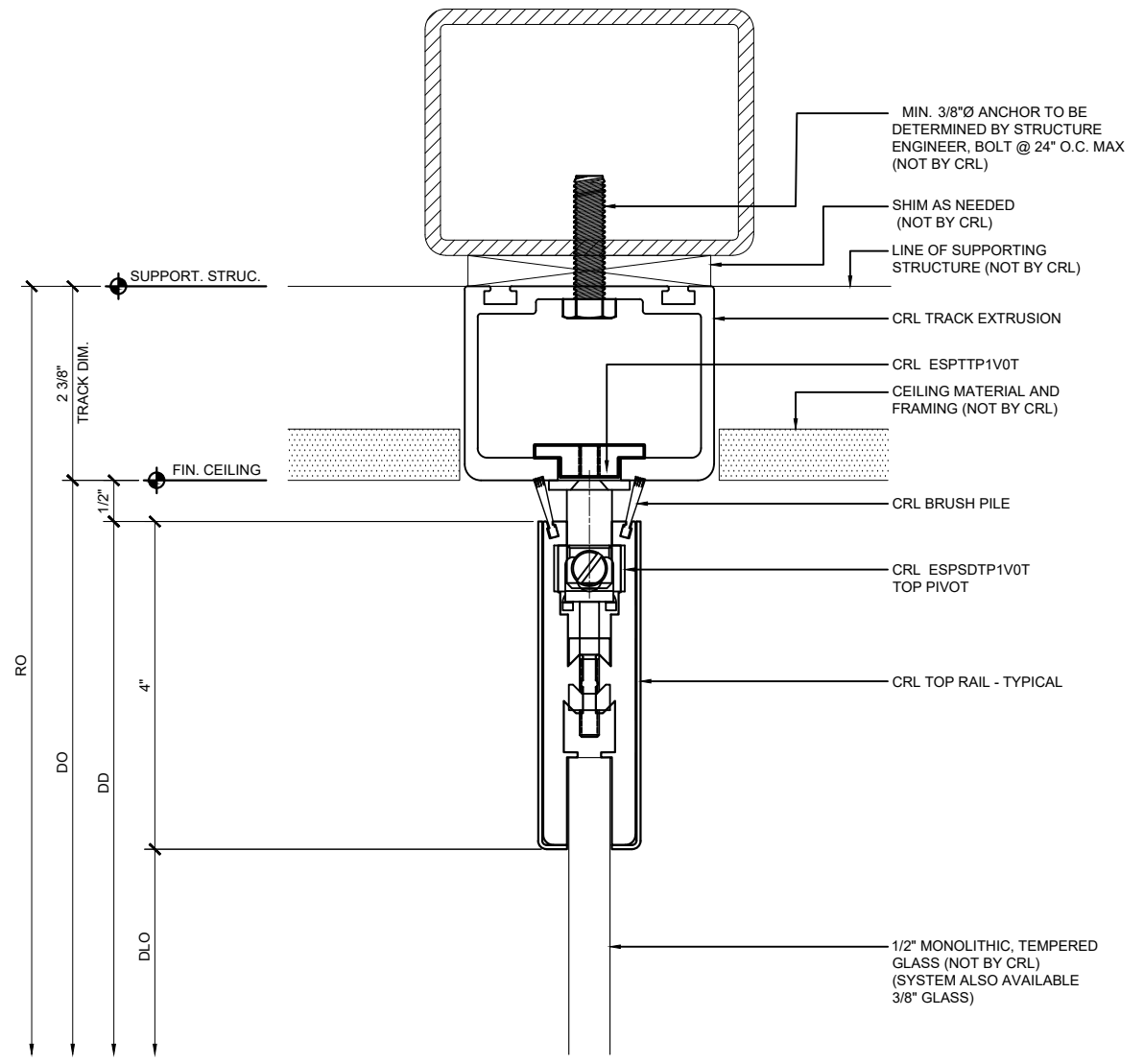
Sheet

1.04

Revisions By:



① DOOR HEAD - TYPICAL ATTACHMENT - AT ROLLER ASSEMBLY  
1'-0"=1'-0"



② DOOR HEAD - SWING DOOR - AT PIVOT  
1'-0"=1'-0"

**CRL.**

2663 E. Vernon Avenue, Los Angeles, CA 90058-1887  
PH: (800)-421-0144 FX: 800-597-7501 www.crlusa.com

Description:  
CRL SPS STACKING  
PARTITION SYSTEM  
EASY SLIDE  
FOR 1/2" & 3/8" GLASS

Drawn By: TGM  
Date: 01/30/2019  
Scale: AS NOTED  
File Name:  
SPS\_Easy\_Slide\_Stck\_Partn\_Sys.dwg

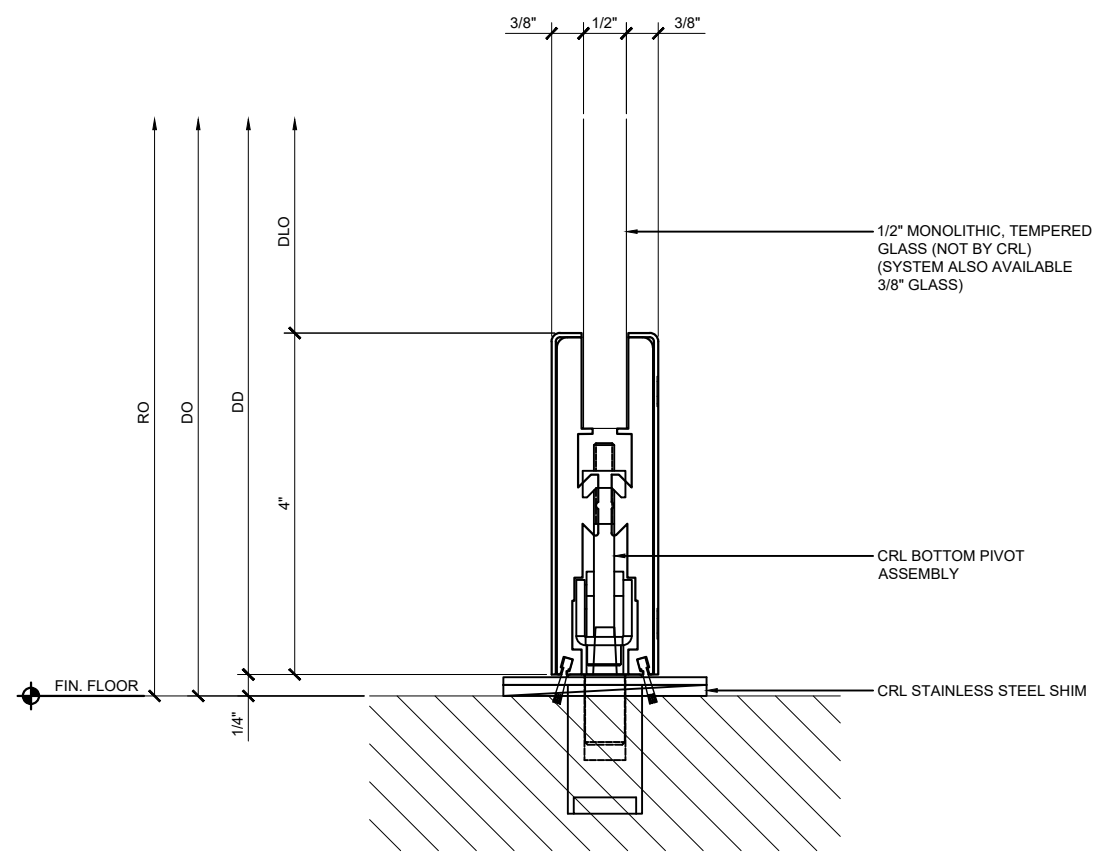
Sheet

2.01

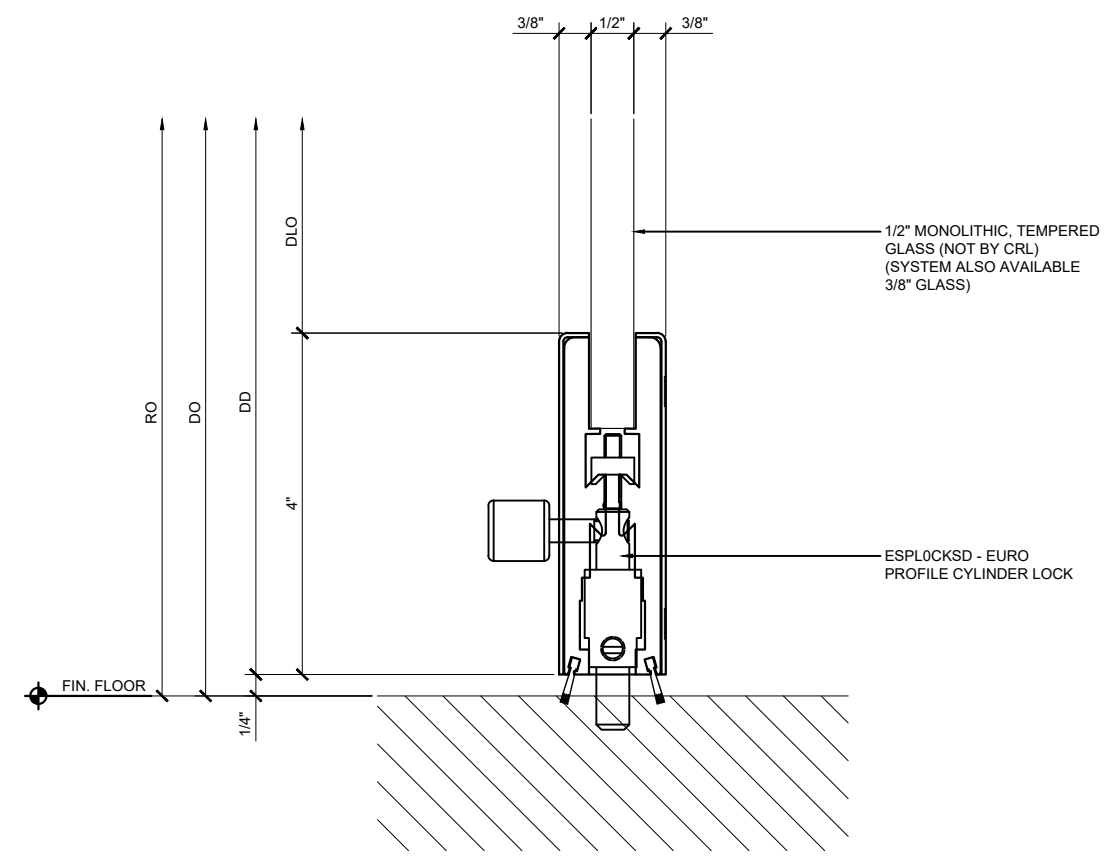
Revisions By:

# CRL.

2653 E. Vernon Avenue, Los Angeles, CA 90058-1887  
PH: (800)-421-0144 / FX: 800-597-7301 www.crlusa.com



**① DOOR SILL - SWING DOOR - AT PIVOT**  
1'-0"=1'-0"



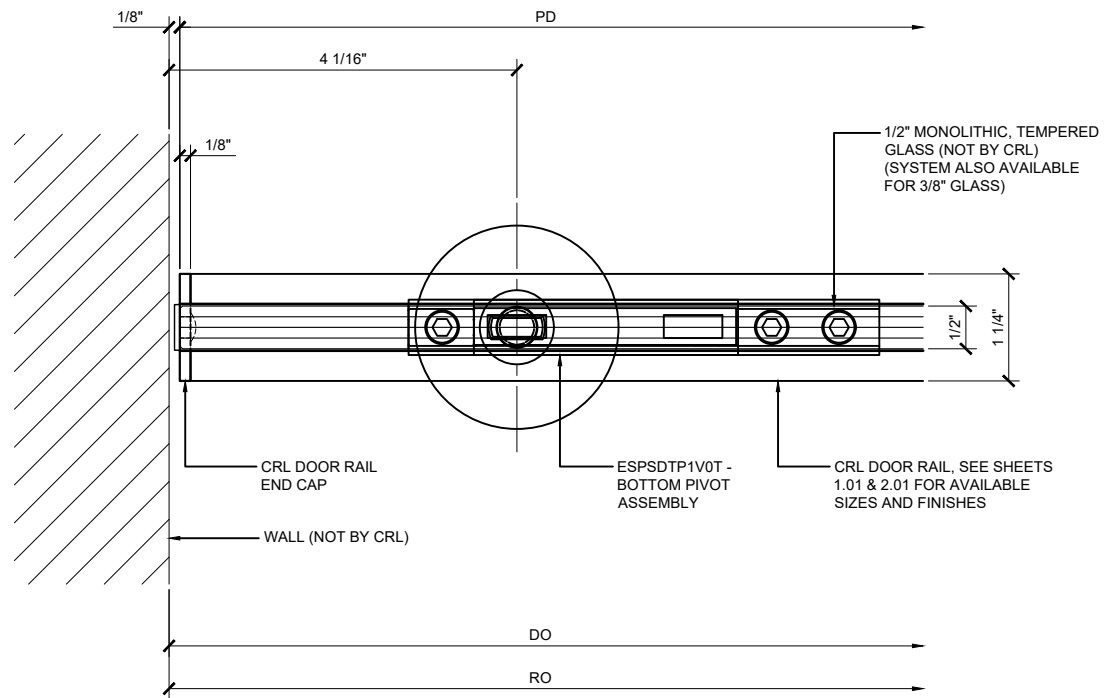
**② DOOR SILL - SLIDING PANEL - AT SLIDE LOCK**  
1'-0"=1'-0"

Description:  
CRL SPS STACKING  
PARTITION SYSTEM  
EASY SLIDE  
FOR 1/2" & 3/8" GLASS

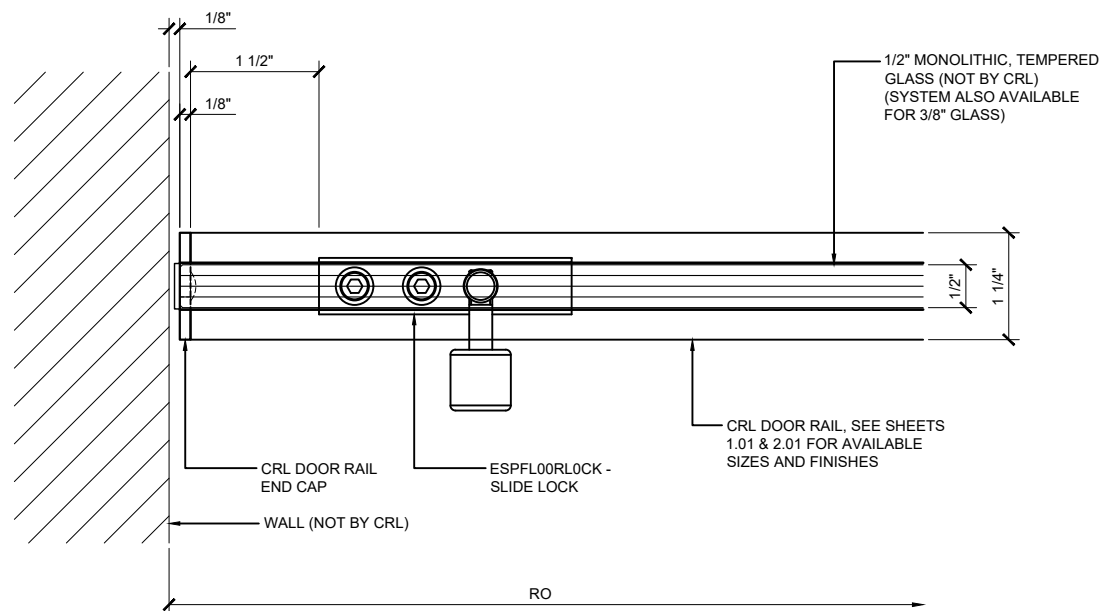
Drawn By: TGM  
Date: 01/30/2019  
Scale: AS NOTED  
File Name:  
SPS\_Easy\_Slide\_Stck\_Partn\_Sys.dwg

Sheet

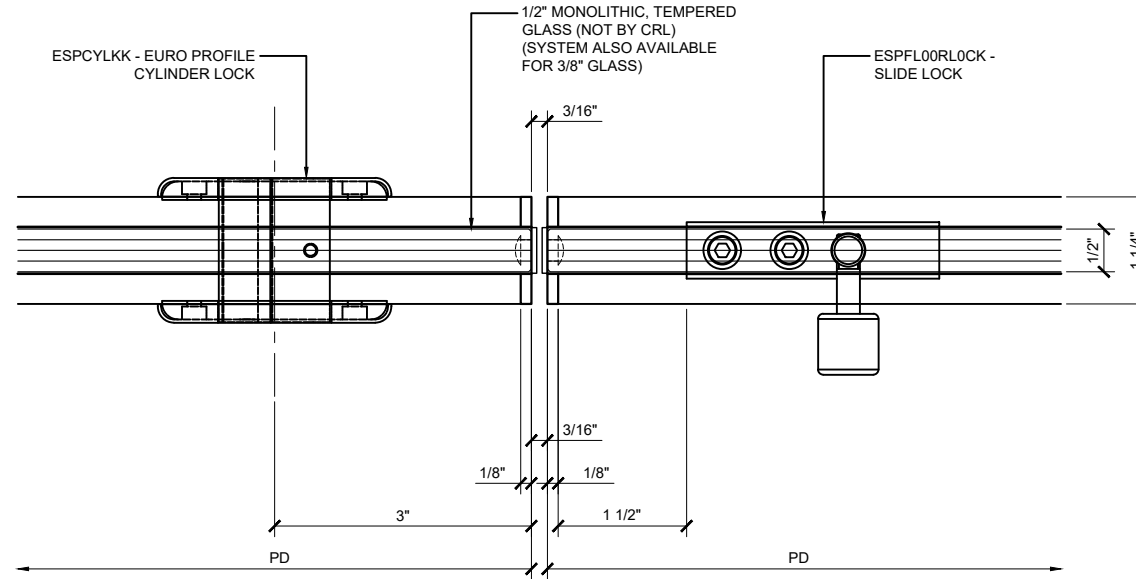
## 2.02



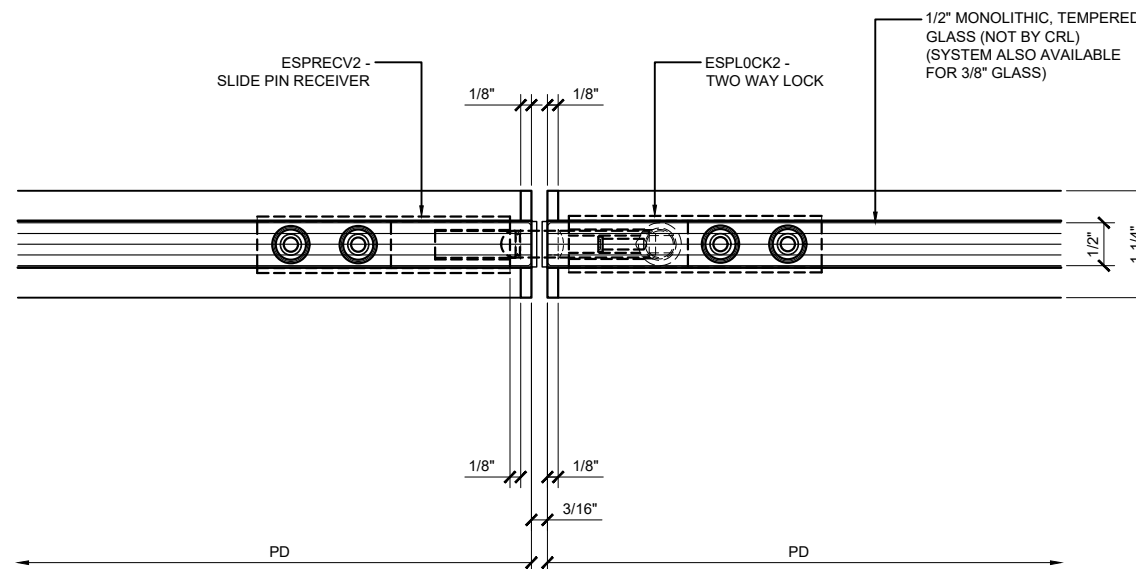
**③ DOOR JAMB - AT PIVOT**  
1'-0"=1'-0"



**① DOOR JAMB - AT PIVOT**  
1'-0"=1'-0"



**④ SLIDING PANELS - AT EURO PROFILE CYLINDER & TWO WAY LOCK**  
1'-0"=1'-0"



**③ SLIDING PANELS - AT SLIDE PIN RECEIVER & TWO WAY LOCK**  
1'-0"=1'-0"

Revisions By:

**CRL**

2663 E. Vernon Avenue, Los Angeles, CA 90058-1887  
PH: (800)-421-0144 / 323-800-5877 FAX: 323-800-5877 www.crlusa.com

Description:  
CRL SPS STACKING  
PARTITION SYSTEM  
EASY SLIDE  
FOR 1/2" & 3/8" GLASS

Drawn By: TGM  
Date: 01/30/2019  
Scale: AS NOTED  
File Name:  
SPS\_Easy\_Slide\_Stck\_Partn\_Sys.dwg

Sheet

3.01