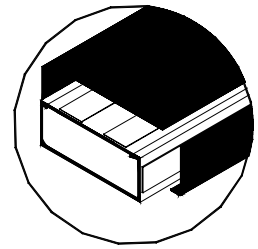
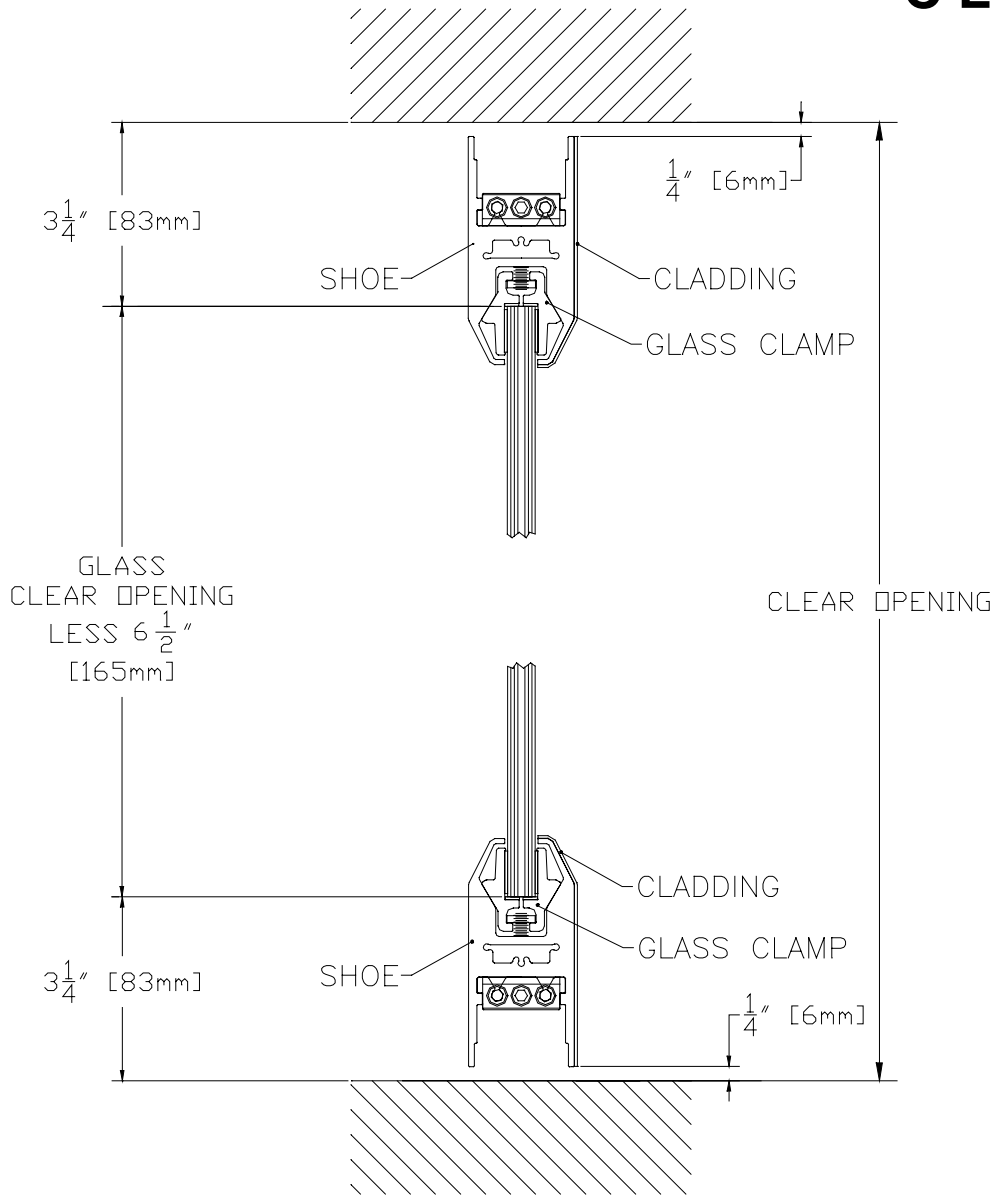


NOTES:

1. DIMENSIONS ARE THE SAME FOR CLAD AND NON-CLAD RAILS
2. IF 1/2" [13mm] THRESHOLD IS USED, THE DIMENSION FROM FLOOR TO GLASS INCREASES BY 1/2" [13mm] I.E. GLASS IS CLEAR OPENING LESS 7" [178mm]



**CLAD**



4" TAPERED DOOR RAIL  
TOP AND BOTTOM  
CLAD OR NON CLAD

**CRL DOOR RAIL SYSTEM**

**C.R. Laurence Architectural Products**

Phone Orders (800) 421-6144

Fax Orders (800) 262-3299

WWW.CRLAURENCE.COM

Patent Pending

STYLE 01