

## PRIMA

Glass-to-Glass Hinge

CAT. NO. PPH02

**\*NOTE:** Do not exceed either maximum weight or width when choosing proper quantity of hinges.

### Important Information:

**Template Options:** The Glass-to-Glass Mount PPH02 Hinge offers numerous choices of templates. Refer to the lower left hand corner of this page for the various selections. If using an Edge Mount Template, the capabilities of your temperer may determine your choice of Preferred or Alternate Methods. The Preferred Method has a full leg cutout that allows a full length vertical seal on the hinge side. The Alternate Methods all have a short leg cutout, resulting in an interrupted seal.

The Inset Mount Template is beneficial for two reasons. It allows a full length vertical seal. Also, by inseting the hinge a certain distance towards the center of the door, it enables the door to avoid hitting a towel bar, or some other protrusion from the wall.

**Vertical Clearances:** Optional 5° Pivot Pins (Cat.. No. P1VP1N) are sold as a set, one pin for the top hinge and one pin for the bottom hinge. These 5° offset Pivot Pins allow the installer to adjust the closing position of the door 5° inwards or outwards.

### Specifications:

Glass Sizes: 5/16" (8mm) to 3/8" (10mm) thick tempered safety glass  
Construction: Solid brass  
Closing Type: Self-centering when within 15° of closed position  
Cutout Required  
Includes: Gaskets, screws and template

### Maximum Door Capacities for Two Hinges

Maximum Door Weight: 100 lbs.(46 kg)  
Maximum Door Width: 31"(787mm)

### Use of Gaskets:

For 5/16"(8mm) Glass: Use one thick gasket and one thin gasket on each side  
For 3/8"(10mm) Glass: Use one thick gasket on each side

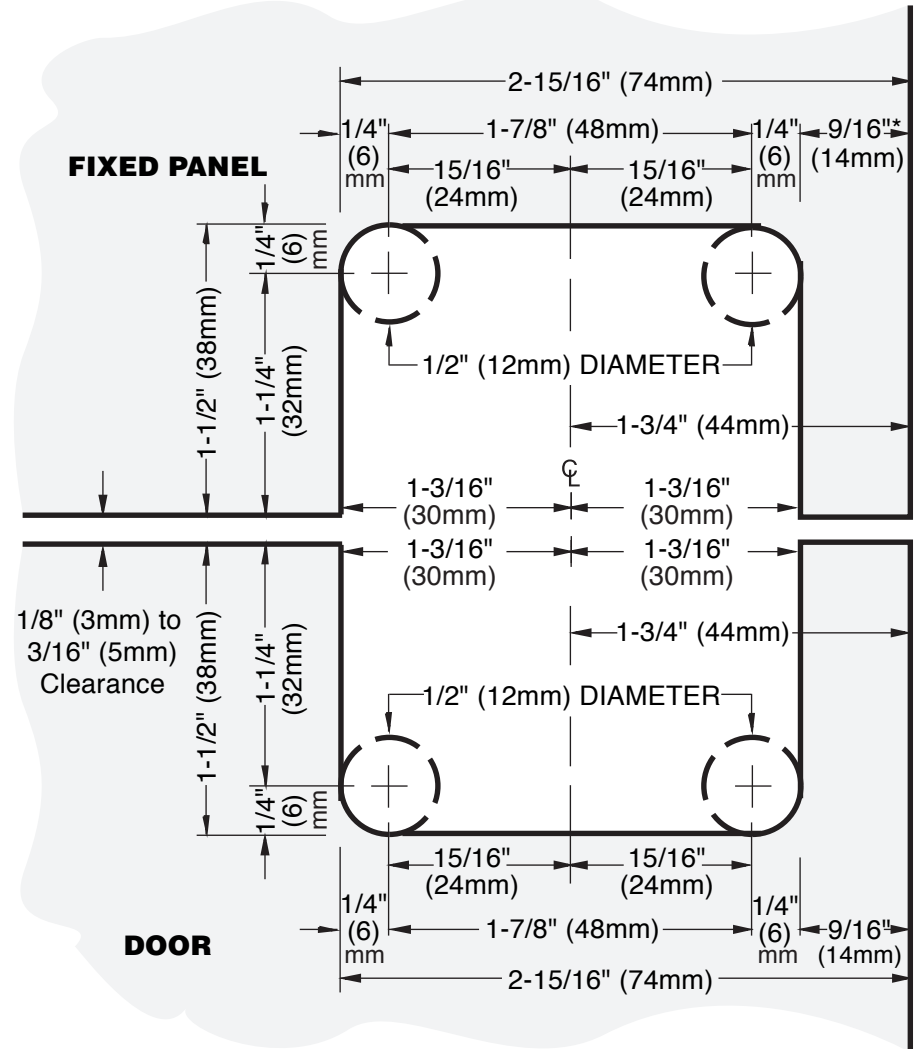
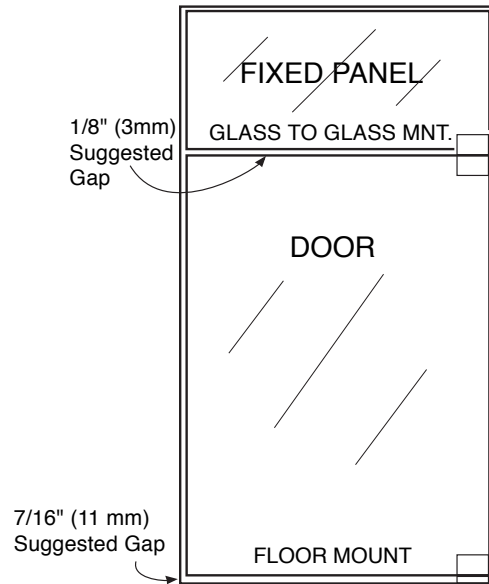
### Recommendations:


For public safety, we recommend the use of only tempered safety glass. Do not use power tools when installing these hinges.

### Maintenance Guidelines:

- Never use an abrasive cleaner on the hardware. Many of the components are coated with a clear lacquer that will be irreparably damaged if subjected to harsh, abrasive chemicals. Advise your customer that drying the hardware with a clean, soft towel on a daily basis is the best way to maintain the hardware. If mineral deposits build-up, mix a couple of drops of a mild liquid soap (such as Ivory or a similar product) into a cup of warm water. Using a soft, non-abrasive cloth, clean the hardware. Rinse thoroughly with clean, warm water and dry.

**IMPORTANT:** Project measurements from the edge of the glass.



 ALWAYS USE DIMENSIONS TO ENSURE ACCURACY

## PRIMA

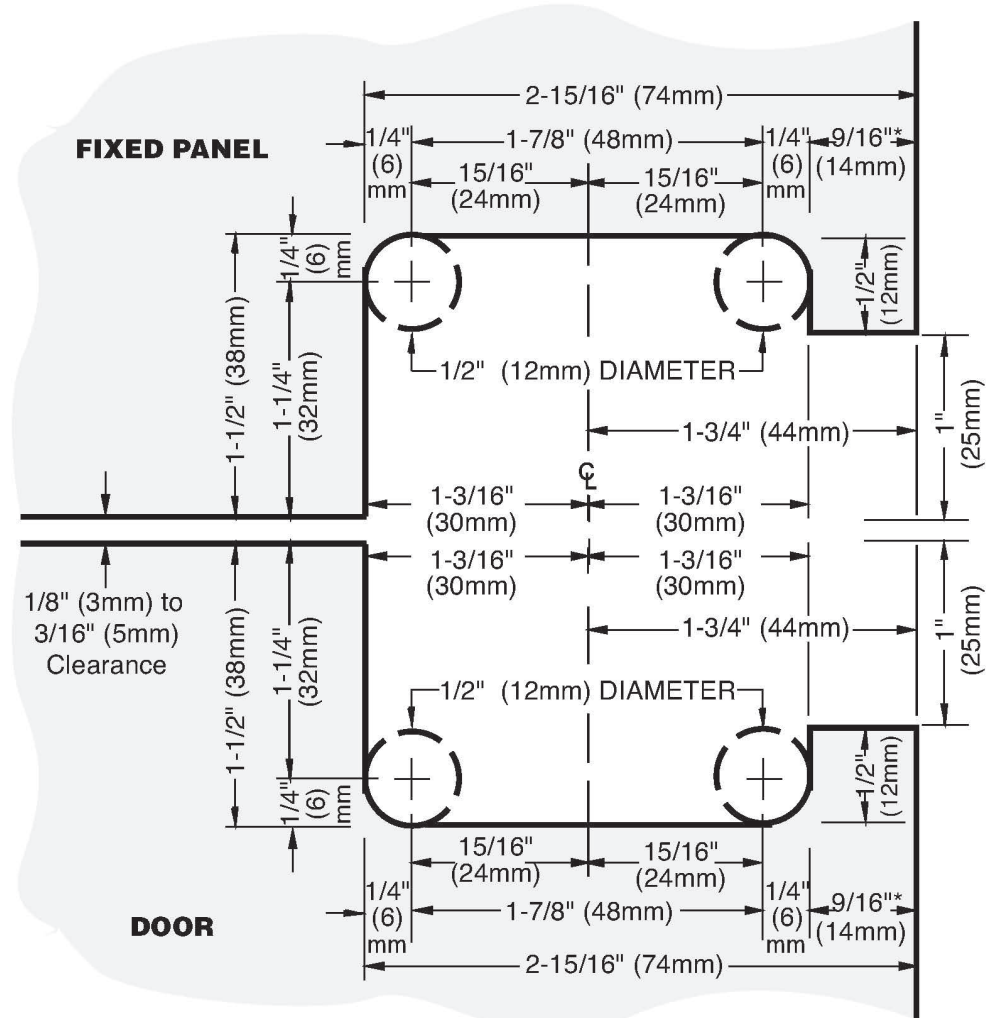
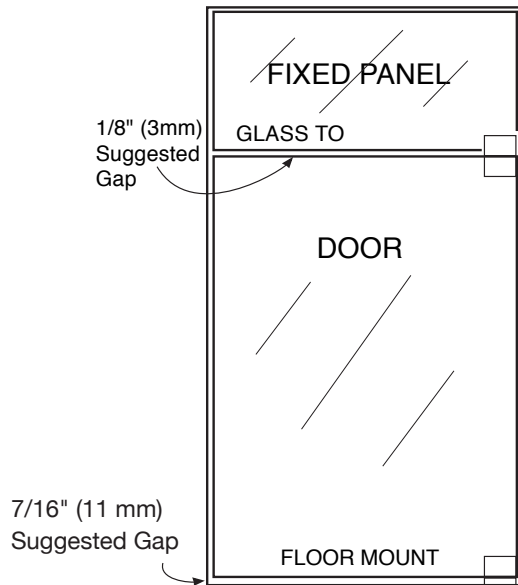
Glass-to-Glass Hinge


CAT. NO. PPH02

Edge Mount Preferred Method 1/8" (3mm) to 3/16" (5mm) clearance

\* The 9/16" (14mm) measurement is ok as long as the fixed panel side clearance is the same as the door side clearance. If not, make the appropriate add-on or deduction.

**IMPORTANT:** Project measurements from the edge of the glass.



 ALWAYS USE DIMENSIONS TO ENSURE ACCURACY

## PRIMA

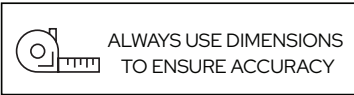
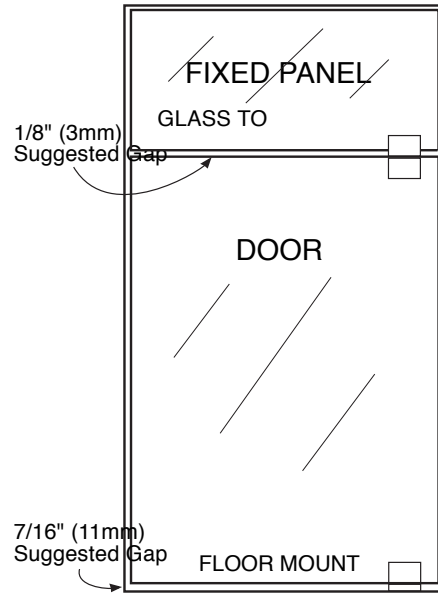
Glass-to-Glass Hinge

CAT. NO. PPH02

Edge Mount Alternate Method 1/8" (3mm) to 3/16" (5mm) clearance

\* The 9/16" (14mm) measurement is ok as long as the fixed panel side clearance is the same as the door side clearance. If not, make the appropriate add-on or deduction.

**IMPORTANT:** Project measurements from the edge of the glass.

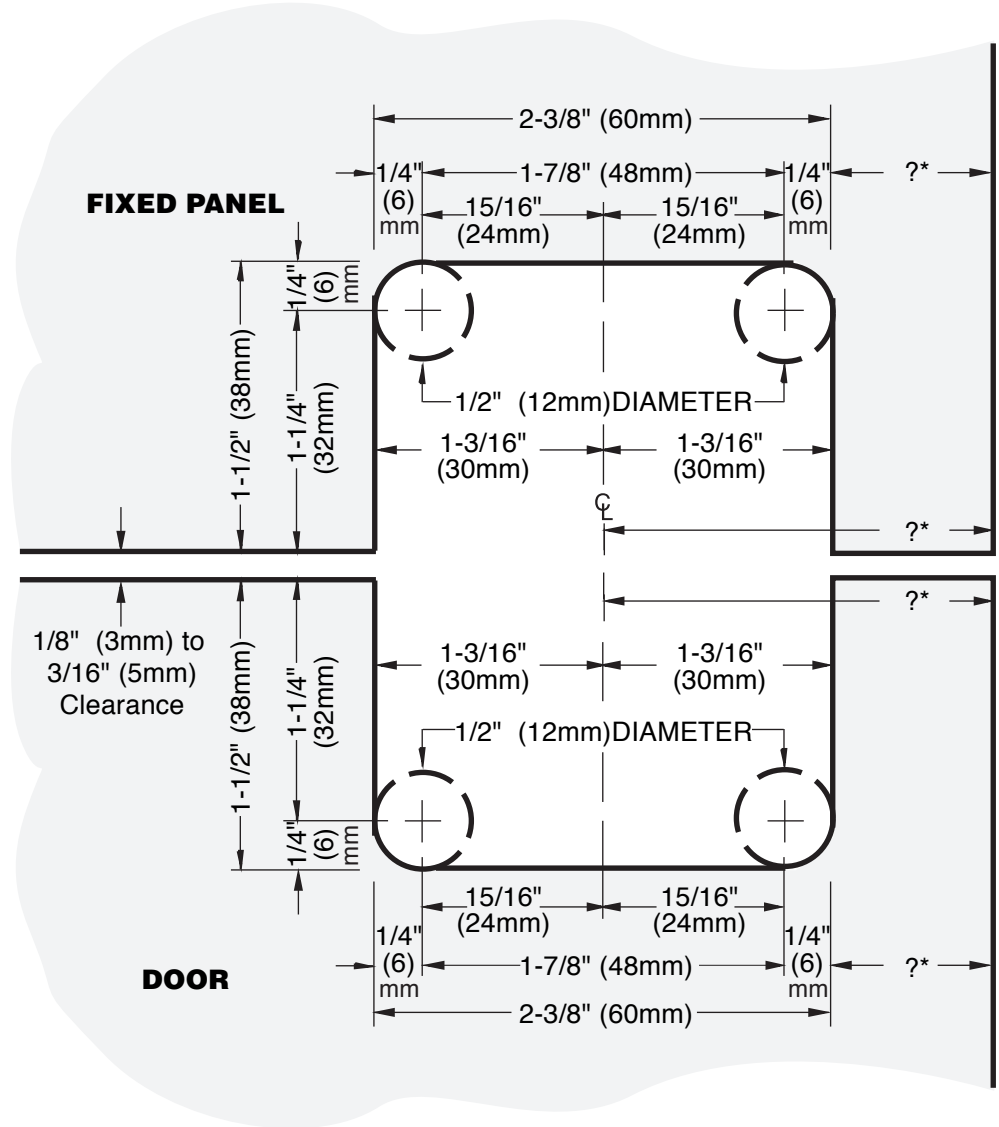


## PRIMA

Glass-to-Glass Hinge

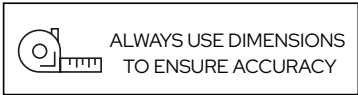
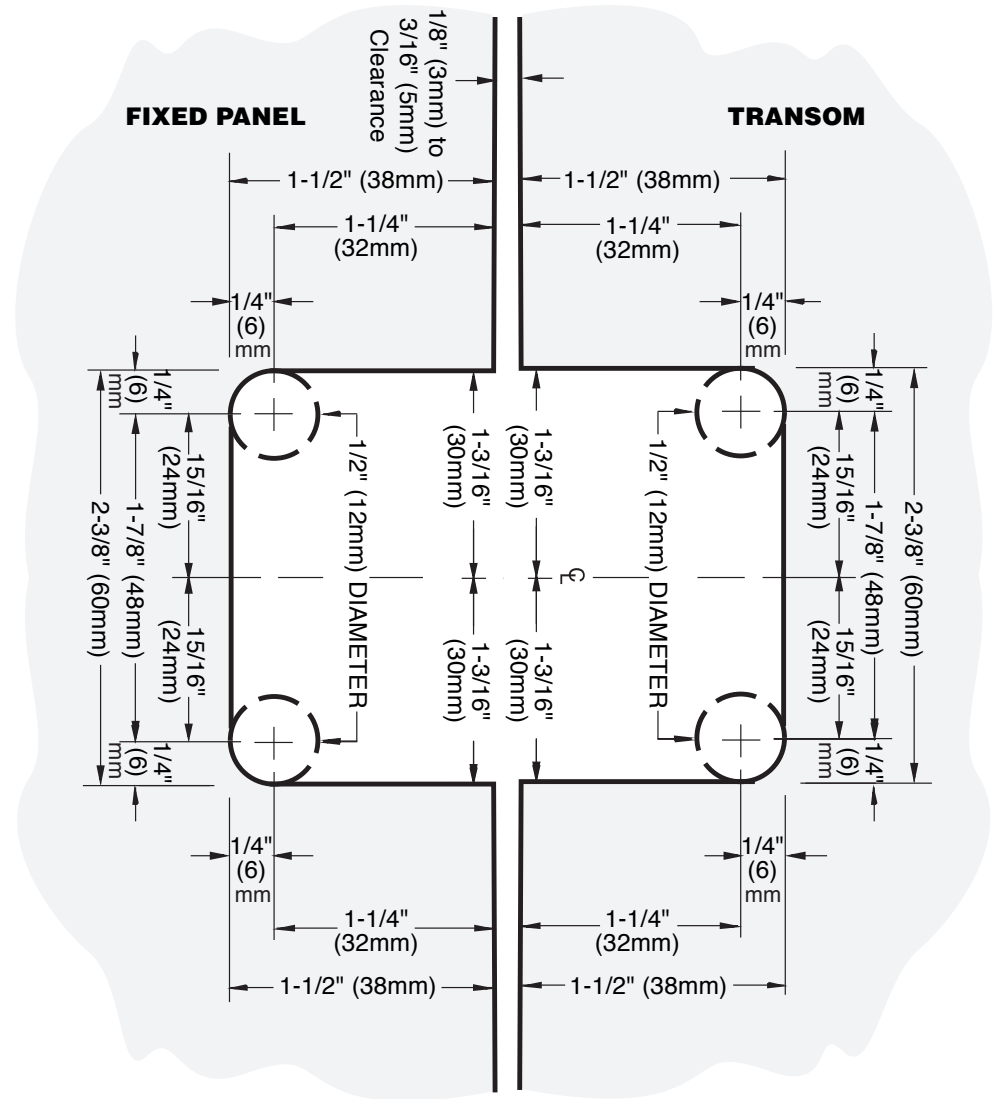
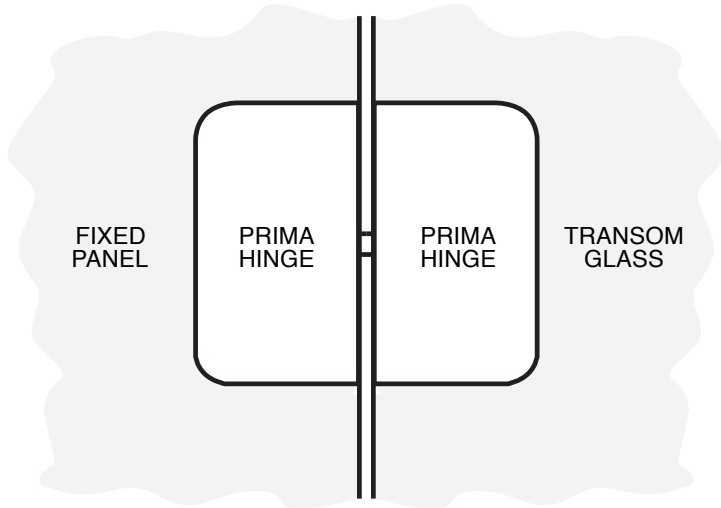
CAT. NO. PPH02

Inset Mount Method 1/8" (3mm) to 3/16" (5mm) clearance



\*This measurement varies depending on the amount of inset you desire.

**IMPORTANT:** Project measurements from the edge of the glass.



## PRIMA

Glass-to-Glass Hinge

CAT. NO. PPH02

Transom Mount Method 1/8" (3mm) to 3/16" (5mm) clearance