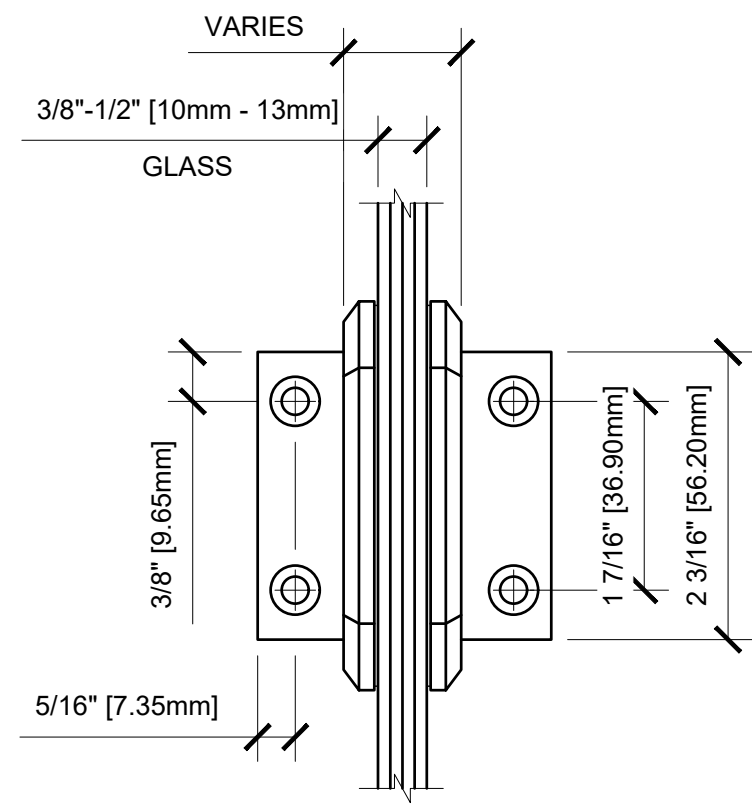
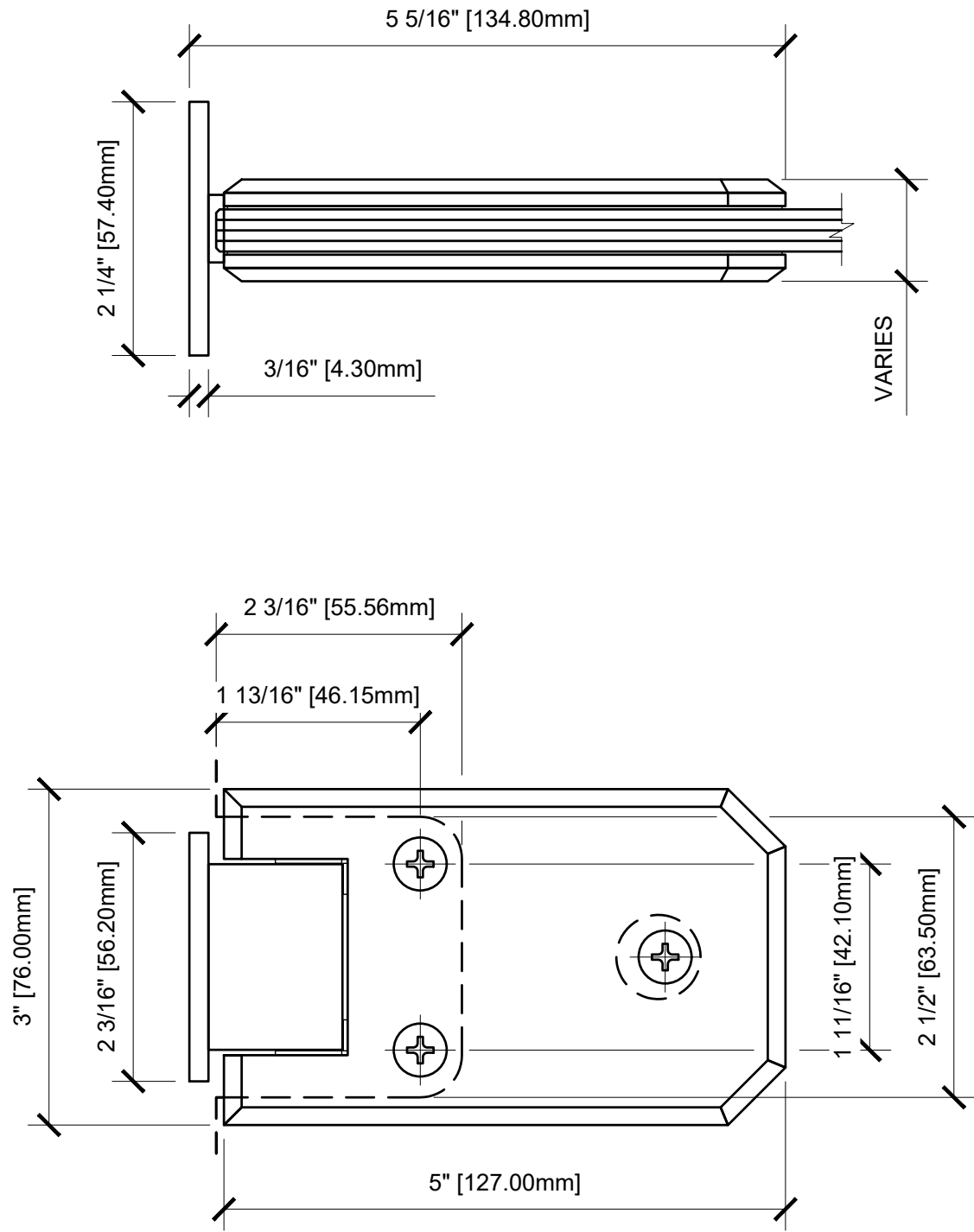


USE OF GASKETS
 FOR 3/8" (10mm) GLASS: USE ONE THICK GASKET ON EACH SIDE
 FOR 1/2" (12mm) GLASS: USE ONE THIN GASKET ON EACH SIDE



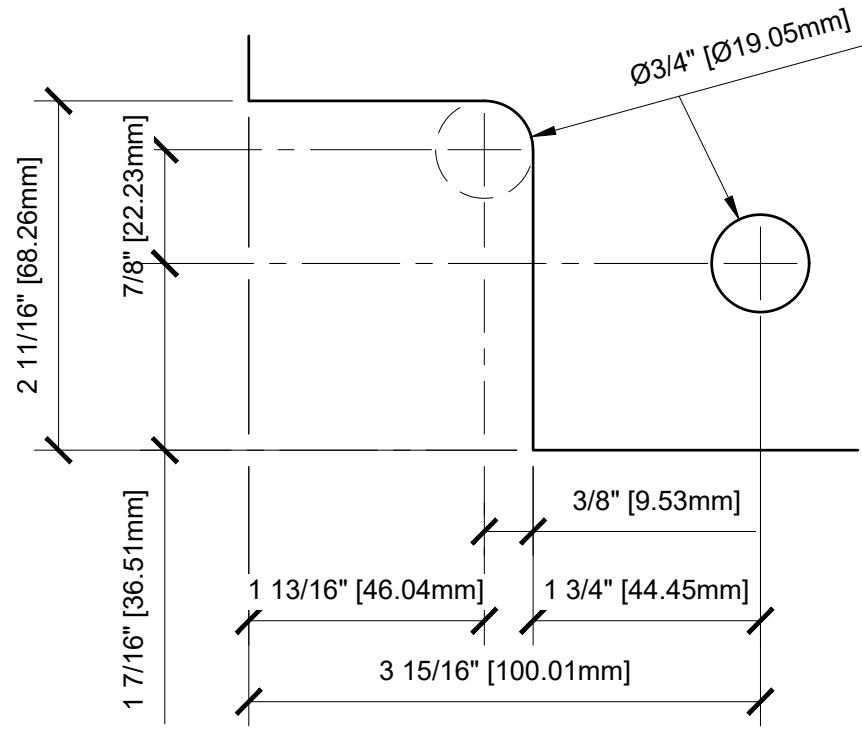
CATALOG NUMBER	FINISH
ELT074CH	CHROME
ELT074BR	POLISHED BRASS
ELT0740RB	OIL RUBBED BRONZE
ELT074ABR	ANTIQUÉ BRASS
ELT074BN	BRUSHED NICKEL
ELT074BSC	BRUSHED SATIN CHROME
ELT074GP	GOLD PLATED
ELT074PN	POLISHED NICKEL
ELT074SB	SATIN BRASS
ELT074SC	SATIN CHROME

ELT074XX - CRL ELITE SERIES WALL MOUNT HINGE

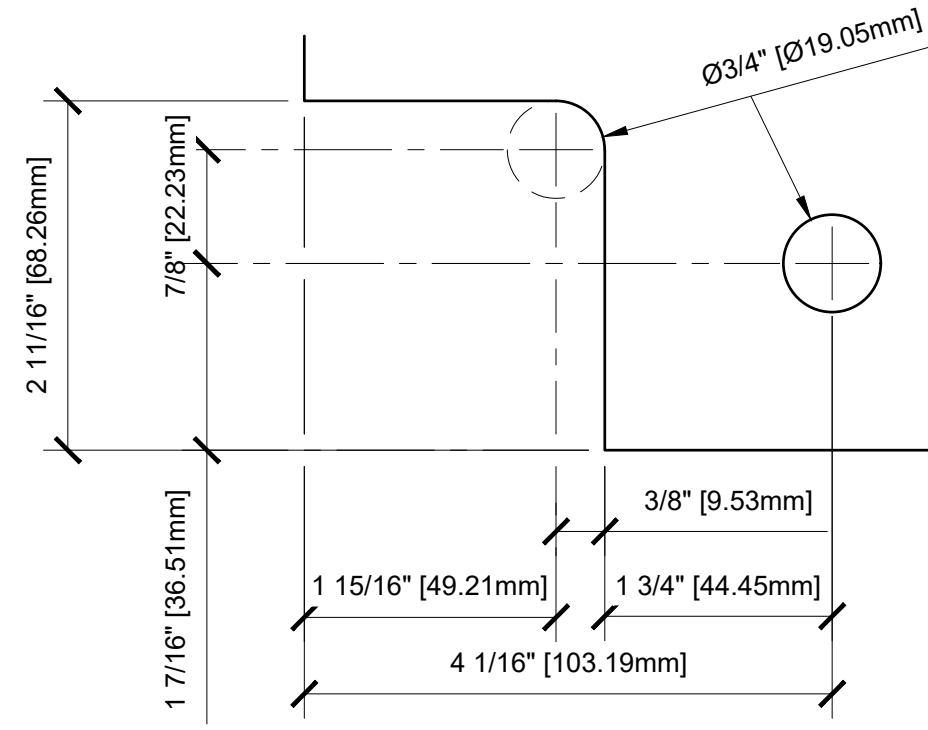
CRL
 C.R. LAURENCE CO. ARCHITECTURAL PRODUCTS
 2503 E. Vernon Avenue, Los Angeles, CA 90058-1897
 PH (800)-421-6144 FX: 800-587-7501 www.crlaurence.com

DESCRIPTION: CRL ELT074
 CRL ELITE SERIES
 WALL MOUNT HINGE

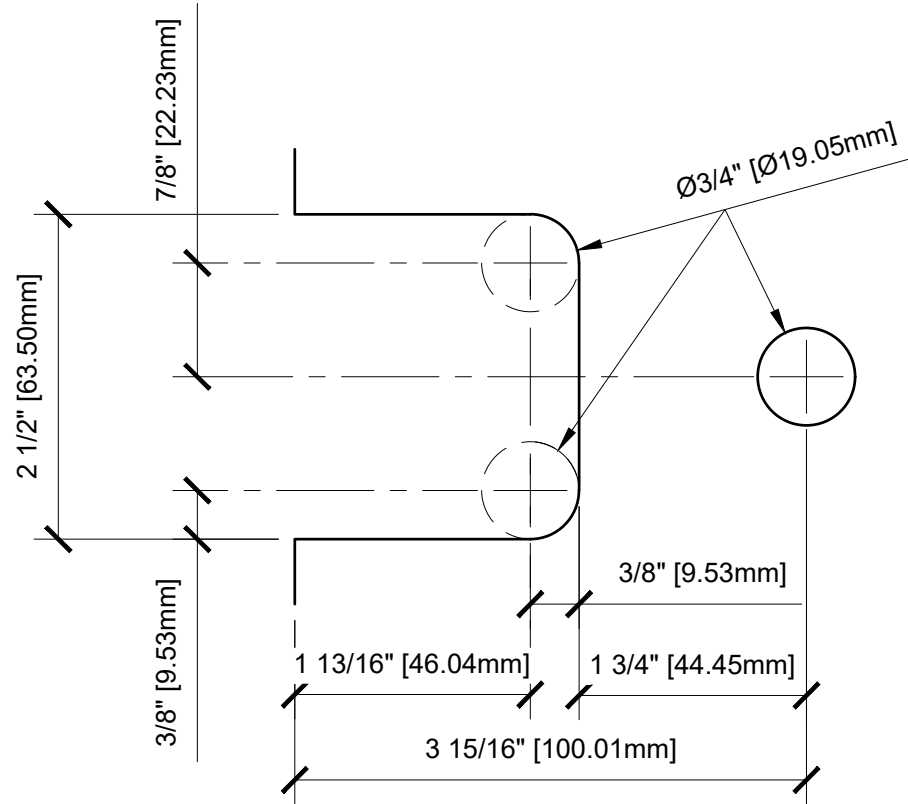
DATE: 1/07/19
 SCALE: 6" = 1'-0"
 DRAWN BY: BRIAN R.



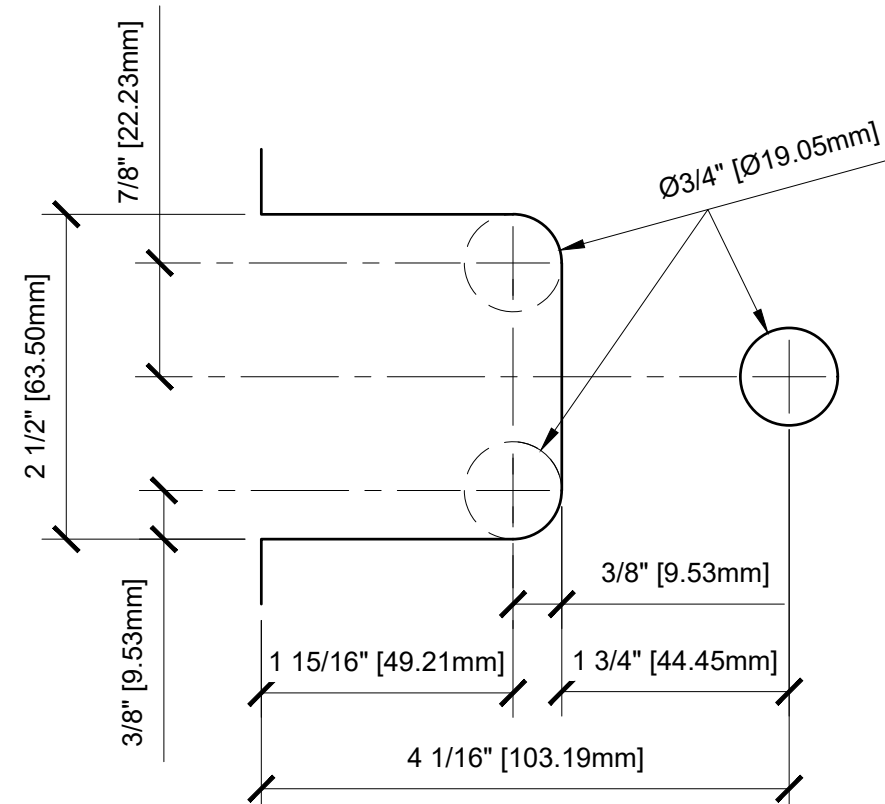
GLASS FABRICATION TEMPLATE
TOP AND BOTTOM CORNER MOUNT OPTION
LEAVING SPACE OF 5/32" TO 3/32" FROM WALL



GLASS FABRICATION TEMPLATE
TOP AND BOTTOM CORNER MOUNT OPTION
LEAVING SPACE OF 5/32" TO 3/32" FROM WALL



GLASS FABRICATION TEMPLATE
LEAVING SPACE OF 5/32" TO 3/32" FROM WALL



GLASS FABRICATION TEMPLATE
LEAVING SPACE OF 1/32" TO 3/16" FROM WALL

ELT074XX - CRL ELITE 074 SERIES HINGE TEMPLATES

DATE: 1/07/19
SCALE: 6" = 1'-0"
DRAWN BY: BRIAN R.

DESCRIPTION: CRL ELT074
CRL ELITE SERIES
WALL MOUNT HINGE

DESCRIPTION:
CTS
www.crlaurence.com

C.R. LAURENCE CO. ARCHITECTURAL PRODUCTS
2503 E. Vernon Avenue, Los Angeles, CA 90058-1897
PH (800)-421-6144 FX: 800-587-7501 www.crlaurence.com

CRL.